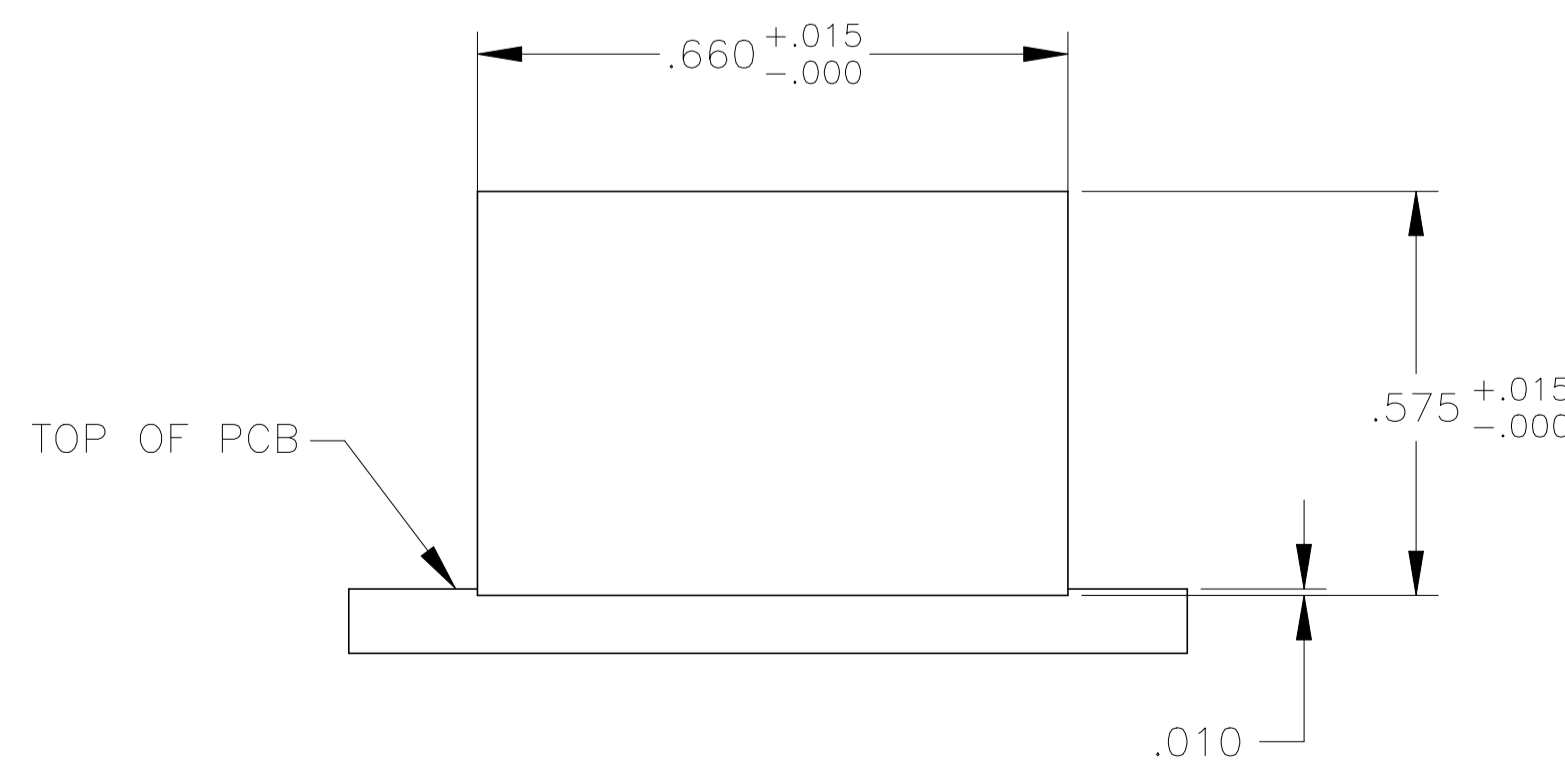
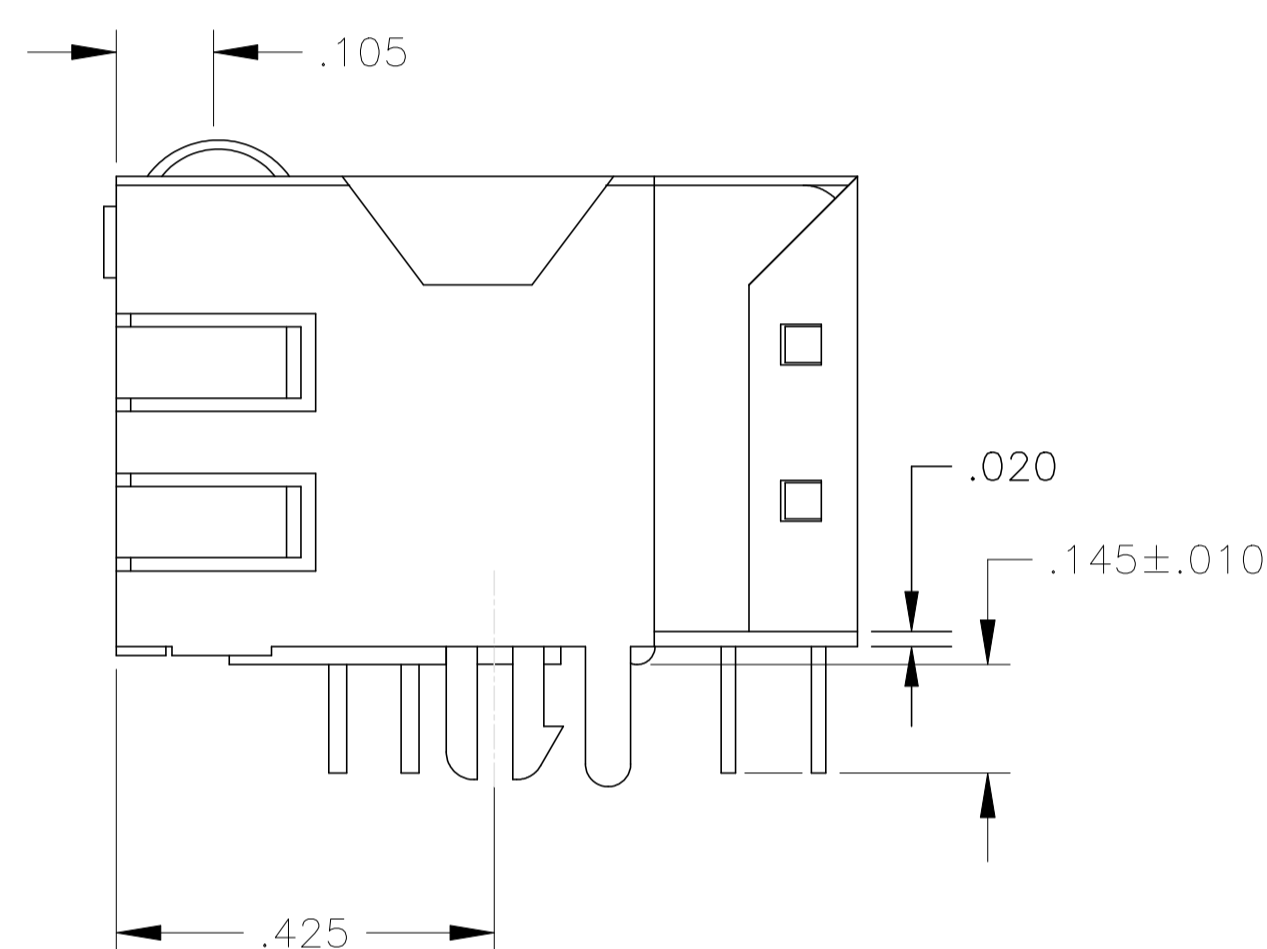
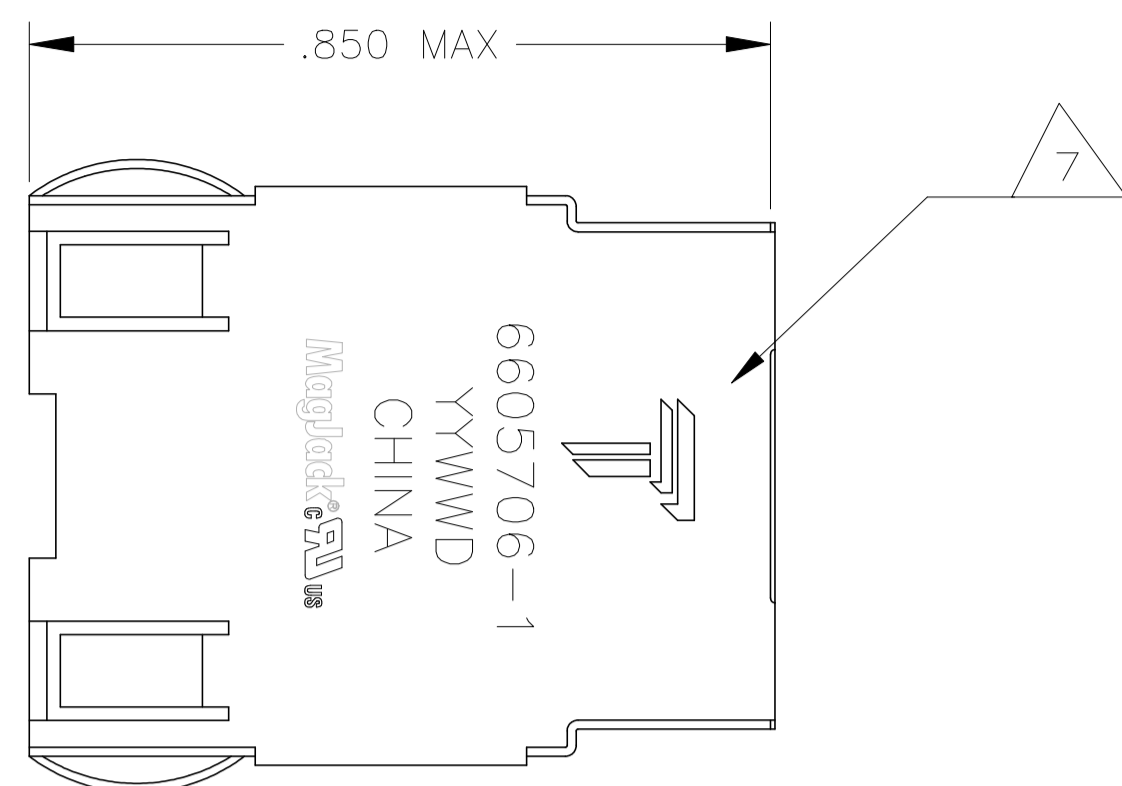
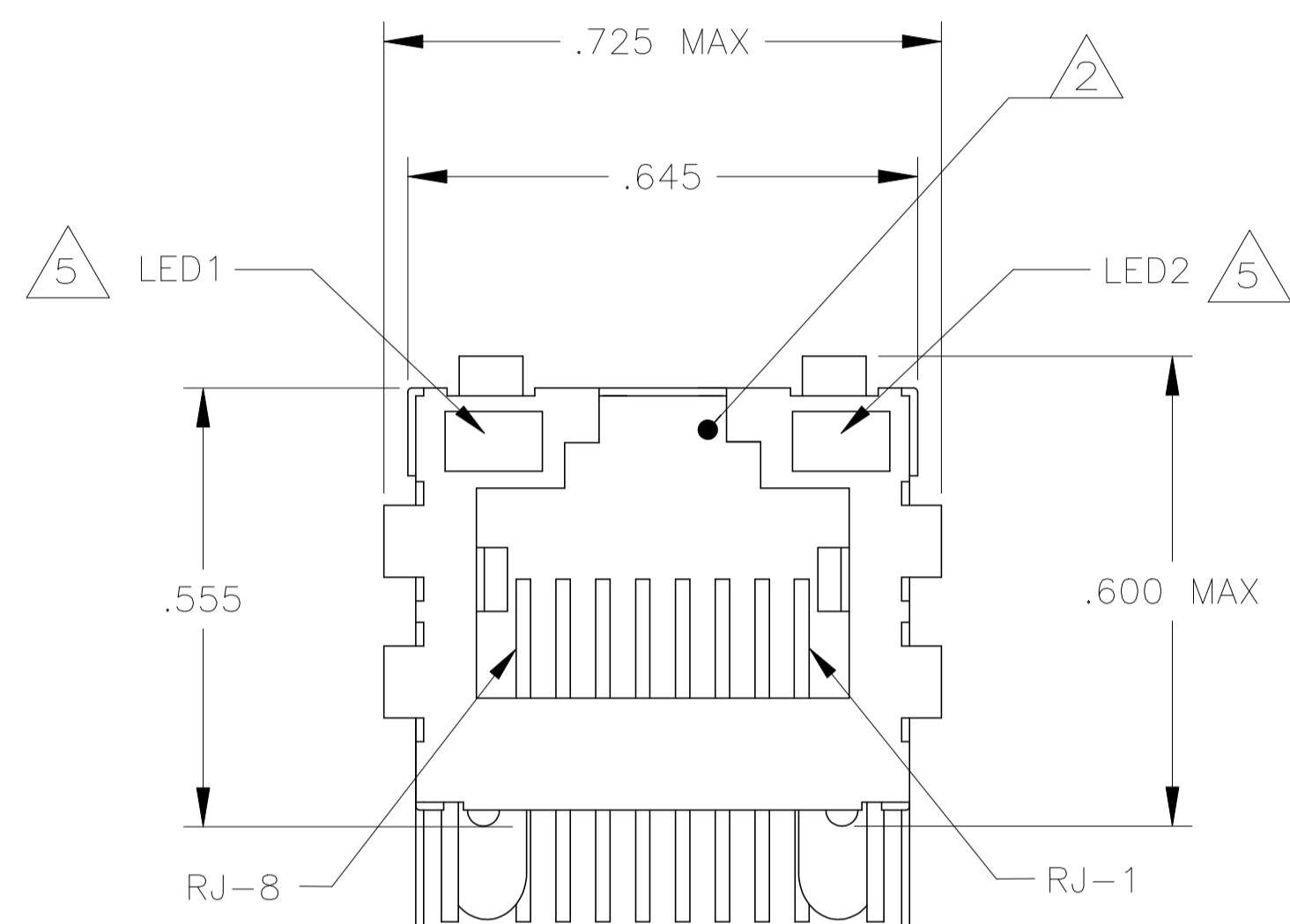


THIS DRAWING AND THE SUBJECT MATTER SHOWN THEREON ARE CONFIDENTIAL AND THE PROPERTY OF BEL/STEWART/TRP CONNECTOR AND SHALL NOT BE REPRODUCED, COPIED, OR USED IN ANY MANNER WITHOUT THE WRITTEN CONSENT OF TRP CONNECTOR.

PRODUCT MAY BE PROTECTED BY ONE OR MORE OF THE FOLLOWING US PATENTS:
 5736910 5939955 6425781 6428361 6554638 6840817 7123117
 7429195 7717749 7808751 6217391 6149050 7924130

REVISIONS					
P	LTR	REV	DESCRIPTION	DATE	APP'D
F			EC-1411035 COMPANY LOGO CHANGE	30DEC2014	ST TL

MECHANICAL:



Suggested Panel Cutout

- 1 MATERIALS:
 HOUSING - THERMOPLASTIC PET POLYESTER FLAMMABILITY RATING UL 94V-0.
 SHIELD - .010" THICK, C26800 BRASS PREPLATED WITH 30µinch MIN SEMI-BRIGHT NICKEL; SOLDER TABS POST DIPPED WITH 100µinch MIN SAC SOLDER.
 MOD JACK CONTACTS - .0157" x .018", PHOSPHOR BRONZE, 50µinch MIN OVERALL NICKEL UNDERPLATE, WITH SELECT 50µinch MIN HARD GOLD FINISH PLATE. SOLDER TAILS WITH 100µinch MIN MATTE TIN AND/OR SAC SOLDER DIP.
 LIGHT EMITTING DIODE(LED) - DIFFUSED EPOXY LENS, .020" x .020" CARBON STEEL WIREFRAME LEADS PREPLATED WITH 80µinch SILVER OVER 40µinch NICKEL UNDERPLATE OVER 40µinch COPPER UNDERPLATE; POST-PLATED WITH 100µinch MIN MATTE TIN AND/OR SAC SOLDER DIP OR PURE TIN SOLDER DIP.

2 RJ45 JACK CAVITY CONFORMS TO FCC RULES AND REGULATIONS PART 68, SUB PART F.

3 MAGNETICS:
 -IMPEDANCE: 100 OHMS
 -TRANSMIT OPEN CIRCUIT INDUCTANCE (OCL): 350µH (MIN) @100KHZ, 0.1VRMS WITH 8 mA DC BIAS. FOR EACH TRANSFORMER OVER T = 0°C TO +70°C.

-TURNS RATIO (CHIP: CABLE): TX: 1:1, RX: 1:1

PERFORMANCE: @ 25°C

-INSERTION LOSS (IL): 1.1db MAX FROM 0.5MHz TO 100MHz

-RETURN LOSS (RL): 18db MIN FROM 0.5MHz TO 30MHz
 18 - 20LOG (f/30)db MIN FROM 30.1MHz TO 60MHz
 12db MIN FROM 60.1MHz TO 80MHz

-CROSSTALK ATTENUATION: 35db MIN FROM 0.5MHz TO 40MHz
 33-20LOG (f/50)db MIN FROM 40.1MHz TO 100MHz

-COMMON MODE REJECTION RATIO (CMRR): 30db MIN FROM 0.5MHz TO 100MHz

-DIELECTRIC (ISOLATION VOLTAGE): 2250 VDC (1mA CUTOFF CURRENT), 60 SECONDS BETWEEN ALL RJ45 CONTACTS AND ALL SIGNAL PINS WITH OUTER SHIELD

4. OPERATING TEMPERATURE: FROM 0°C TO +70°C.

5 THE 250 OHM LED RESISTORS ARE OPTIONAL, PLEASE SEE CHART FOR PRESENCE OR ABSENCE OF LED RESISTORS. IF THE LED WITHOUT 250 OHM RESISTORS, LED IS DRIVEN WITH CONSTANT CURRENT AT APPROX 20mA.

LED COLOR: DOMINANT WAVELENGTH (λD): GREEN 568 nm TYP. at IF=20mA
 FORWARD VOLTAGE (VF): GREEN 2.2V TYP. at IF=20mA
 DOMINANT WAVELENGTH (λD): YELLOW 588 nm TYP. at IF=20mA
 FORWARD VOLTAGE (VF): YELLOW 2.1V TYP. at IF=20mA.

IF THE LED WITH 250 OHM RESISTORS, LED IS DRIVEN WITH 5V VOLTAGE AND THE MAX OPERATING CURRENT IS 20mA.

LED COLOR : DOMINANT WAVELENGTH (λD): GREEN 568 nm TYP. At VF=5V
 FORWARD CURRENT (IF): GREEN 12 mA TYP. at VF=5V
 DOMINANT WAVELENGTH (λD): YELLOW 588 nm TYP. At VF=5V
 FORWARD CURRENT (IF): YELLOW 13 mA TYP. at VF=5V

6 INDICATED CONNECTIONS ARE FOR NIC CONFIGURATION. THE MAGNETICS ARE ASYMMETRICAL, AND DO NOT SUPPORT AUTO-MDI/MDIX.

7 TRP CONNECTOR LOGO, PART NUMBER, DATE CODE, COUNTRY OF ORIGIN AND AGENCY APPROVAL MARKING IN APPROXIMATE LOCATION SHOWN.

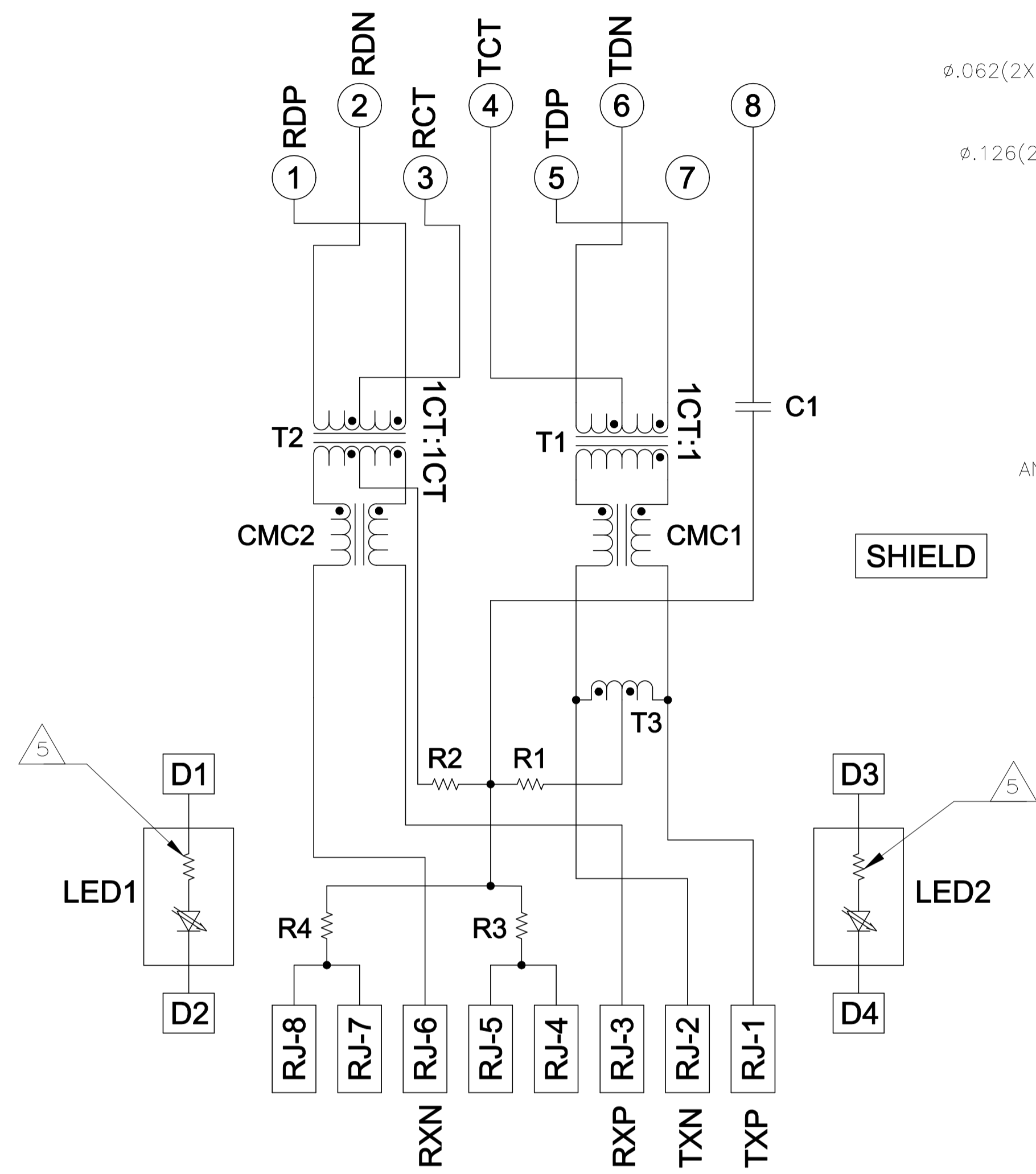
8. THESE PARTS ARE RECOMMENDED FOR WAVE SOLDERING PROCESS, PEAK WAVE SOLDERING TEMPERATURE IS 265°C MAX, 10 SECONDS MAX.

OBSOLETE	YES	GREEN	YES	GREEN	YES	6-6605706-1
OBSOLETE	YES	YELLOW	NO	GREEN	NO	5-6605706-9
OBSOLETE	YES	GREEN	NO	YELLOW	NO	5-6605706-8
OBSOLETE	YES	GREEN	NO	GREEN	NO	5-6605706-7
OBSOLETE	YES	GREEN/YELLOW	NO	GREEN/YELLOW	NO	5-6605706-6
OBSOLETE	YES	GREEN/YELLOW	NO	GREEN	NO	5-6605706-5
OBSOLETE	YES	YELLOW	YES	GREEN	YES	5-6605706-2
	YES	GREEN	YES	YELLOW	YES	5-6605706-1
OBSOLETE	NO	GREEN	YES	GREEN	YES	1-6605706-1
OBSOLETE	NO	GREEN	NO	GREEN	NO	6605706-7
OBSOLETE	NO	GREEN/YELLOW	NO	GREEN/YELLOW	NO	6605706-6
OBSOLETE	NO	GREEN	YES	YELLOW	YES	6605706-1

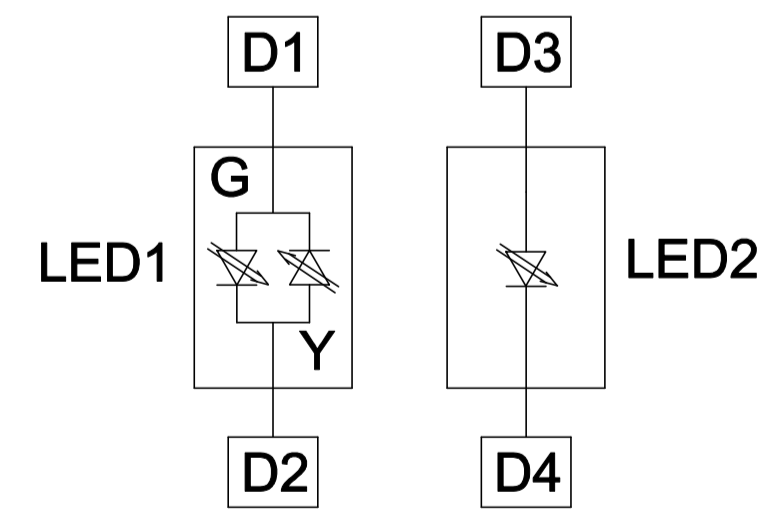
2KV DECOUPLING CAPACITOR	LED1	250 OHMS RESISTOR	LED2	250 OHMS RESISTOR	PART NUMBER

THIS DRAWING IS A CONTROLLED DOCUMENT.		DIN M. HOSER/R.GRZYBOWSKI 18MAY05		trp CONNECTOR		DONGGUAN CHINA	
DIMENSIONS: INCHES		TOLERANCES UNLESS OTHERWISE SPECIFIED:		APPROVED: D.FAROLE 18MAY05		RESTRICTED TO	
0 PLC ± -		1 PLC ± -		2 PLC ± 0.010		3 PLC ± 0.005	
4 PLC ± -		ANGLES ± -		MODEL NAME		DESC	
PRODUCT SPEC 108-2100		APPLICATION SPEC -		MAGJACK		1X1 714 10/100 TAB UP W/ LED	
				SINGLE NON-POE		SIZE CAGE CODE DRAWING NO	
				A1		C=6605706	
				CUSTOMER DRAWING		SCALE 1:1 SHEET 1 OF 2 REV F	

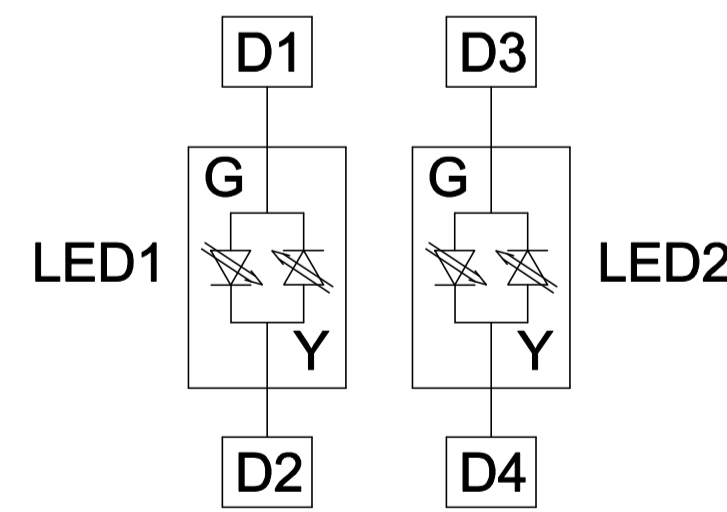
714 SERIES MAGNETIC CIRCUIT



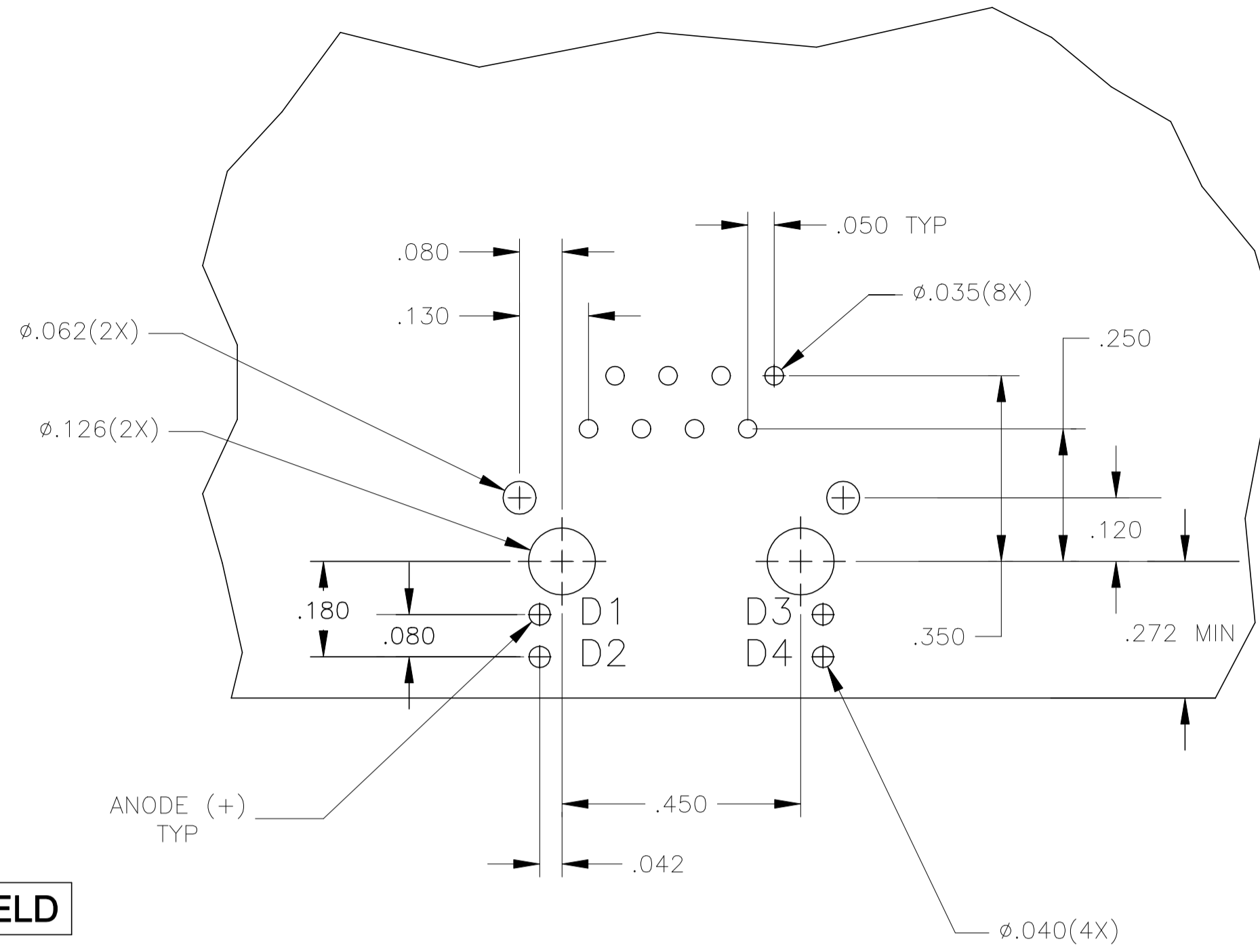
C1 = 1000pF, 2kV DECOUPLING CAPACITOR
R1-R4 = 75 OHMS, 1/16W, RESISTORS



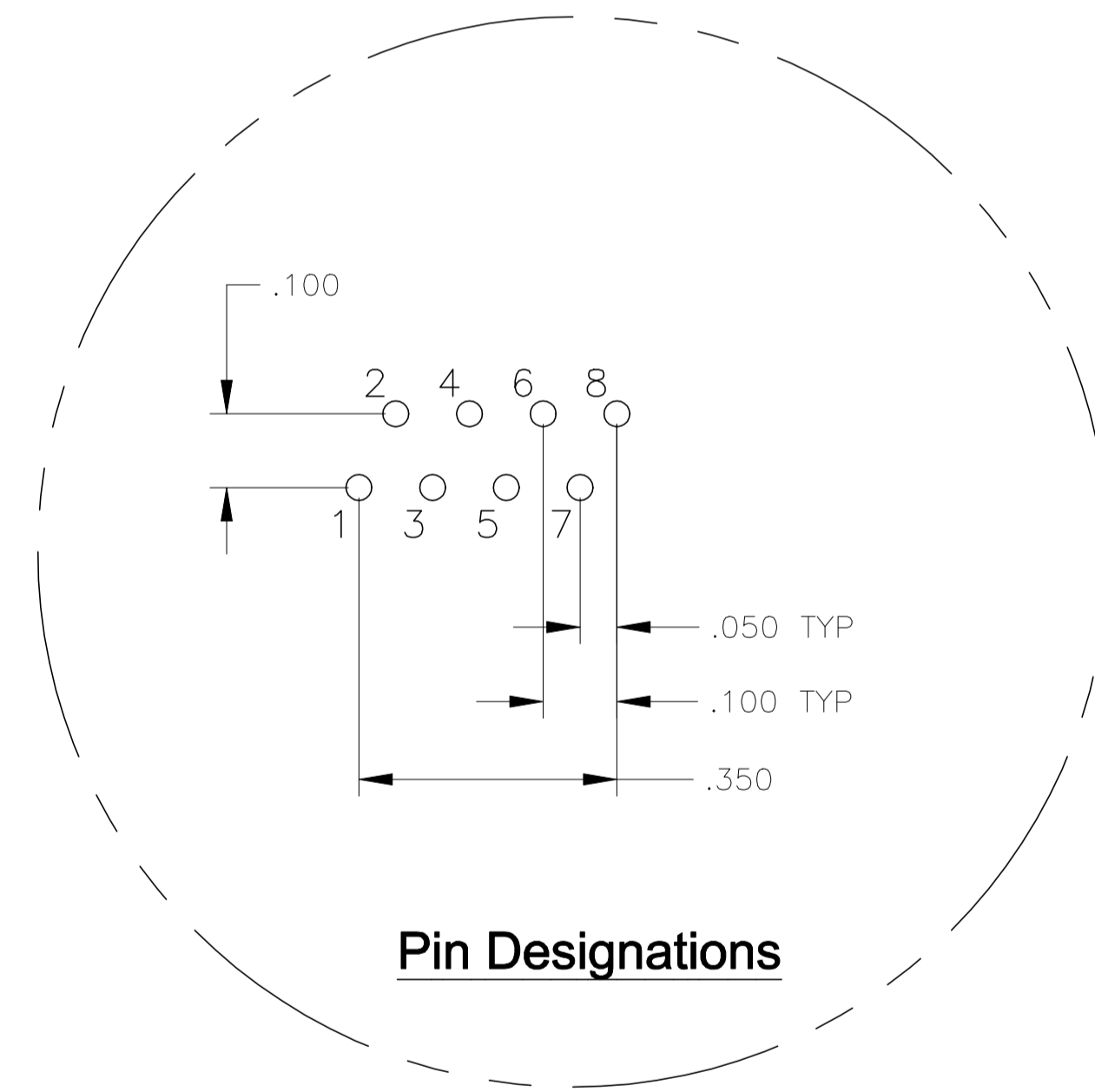
LED CONFIGURATION FOR 5-6605706-5 ONLY



LED CONFIGURATION FOR 6605706-6 AND 5-6605706-6



Suggested PCB Layout (Component Side)



Pin Designations

9 OBSOLETE PARTS: OBSOLETE CIS STREAMLINING PER D.RENAUD/D.SINISI

THIS DRAWING IS A CONTROLLED DOCUMENT.		DIN M_HOSER/R.GRZYBOWSKI 17MAY05		trp CONNECTOR		DONGGUAN CHINA	
DIMENSIONS: INCHES		TOLERANCES UNLESS OTHERWISE SPECIFIED:		AP/D D.FAROLE 18MAY05		MODEL NAME	
0 PLC ± -		1 PLC ± -		2 PLC ± 0.010		3 PLC ± 0.005	
4 PLC ± -		ANGLES ± -		APPLICATION SPEC		-	
PRODUCT SPEC 108-2100		-		MAGJACK SINGLE NON-POE		SIZE A1	
-		-		C=6605706		RESTRICTED TO	
-		-		CUSTOMER DRAWING		SCALE 1:1 SHEET 2 OF 2 REV F	