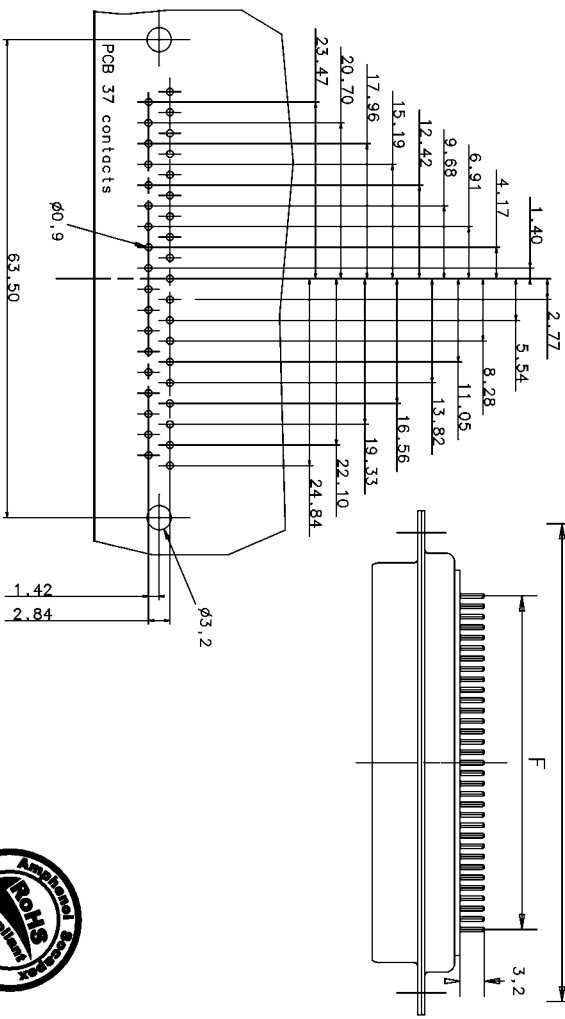
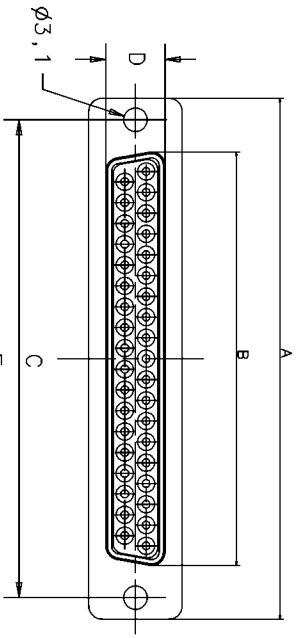
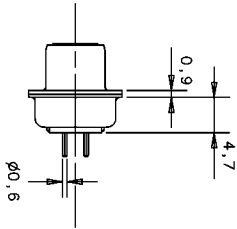
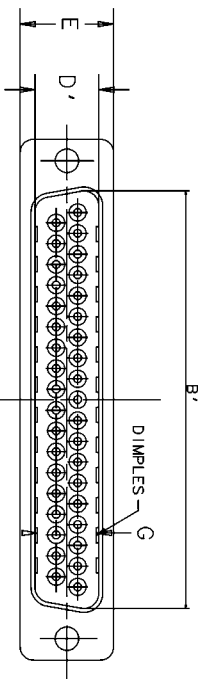
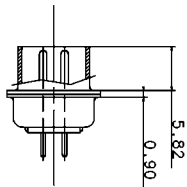


TECHNICAL DATA

'' D '' SUBMINIATURE CONNECTORS



SHELL : Steel.

BODY : Glass filled thermoplastic.
Flame retardant to UL 94 V-0.
Colour : Black.

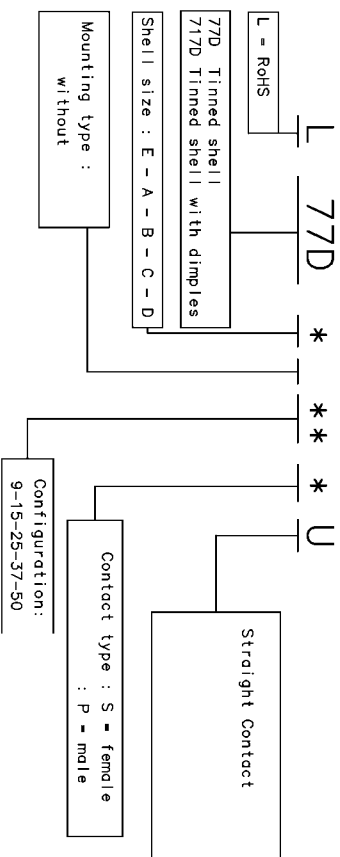
CONTACTS : Material for sockets : bronze.
Material for pins : brass.
Finish of contact mating area : Gold over Nickel.

ELECTRICAL : Voltage rating 300 V eff at 50Hz.
Nominal current 7,5 A.
Contact resistance <8.5m Ohms.
Insulation resistance >5000 M Ohms.

CLIMATIC : Temperature range -55°C up to +85° C
Damp heat 21 days (40° C - 95 % RH)
Other climatic specifications in accordance with NF C 93-425

MECHANICAL : Mating and unmating force size E

E	30 N max.	3,5 N mini.
A	50 N max.	4,4 N mini.
B	83 N max.	8,0 N mini.
C	123 N max.	11,0 N mini.
D	166 N max.	14,5 N mini.



Foille feuille	A	B'	B	C	D'	D	E	F ±0,05	Pqs	G	*
E	30.43	16.46	17.94	25.12	9.93	8.48	12.93	10.98	2.74	7.62	2x3
A	38.76	24.79	25.32	33.20	9.93	8.48	12.93	19.20	2.74	7.62	2x5
B	53.45	38.25	38.84	46.91	9.93	8.48	12.93	33.12	2.76	7.62	2x8
C	68.94	54.97	55.50	63.57	9.93	8.48	12.93	49.68	2.76	7.62	2x12
D	86.35	82.50	82.88	80.99	10.82	10.33	14.59	44.20	2.76	10.5	2x12

IND. MODIFICATION	DATE	Execut	Approuv
017F	09/01	Valiak	
DESIGNATION			
L * * 7D * * * * U			
Amphenol Socapex			
Usine de Dole			
Echelle 2			
ENDEMBLE			
POSSER: NOTICE-17D			

COMMUNICATION ET UTILISATION INTERDITES SAUF AUTORISATION