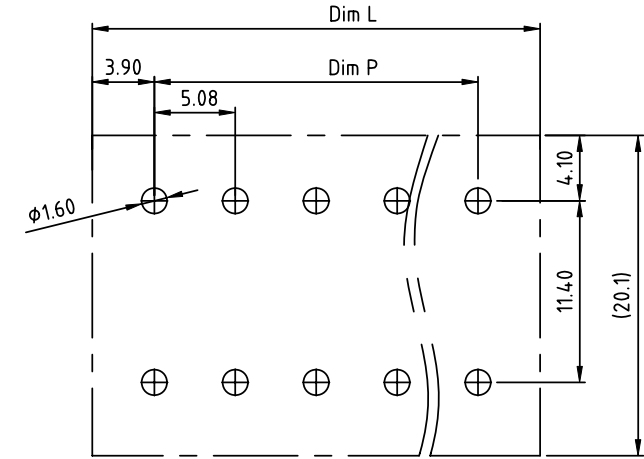
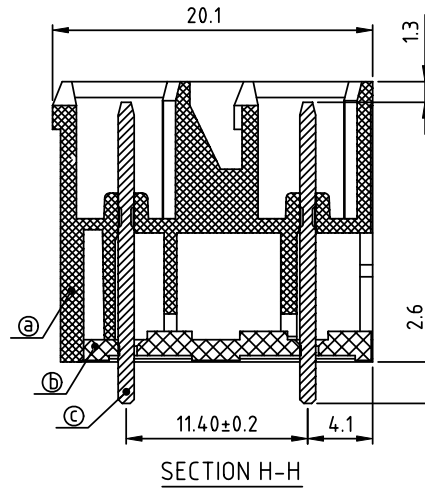
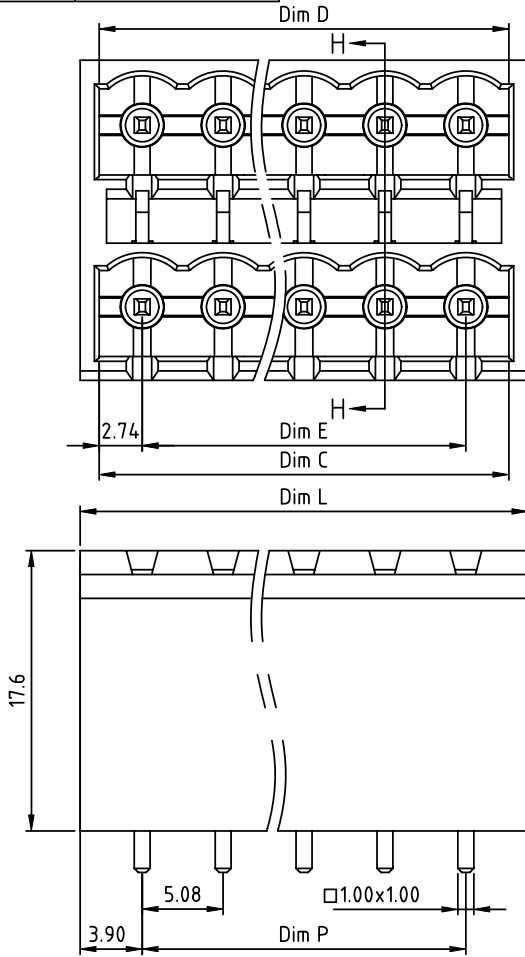


PRODUCT NUMBER	PITCH
KExx51x200J0G	5.08 mm



RECOMMENDED P.C.B LAYOUT  
TOP VIEW

Material:

- Item ① Terminal(housing): Thermoplastic (UL94 V-0)
- Item ② Terminal(cover): Thermoplastic (UL94 V-0)
- Item ③ Pin: Copper Tin plated

Electrical:

- Voltage rating: 300V
- Current rating: 12A
- Withstanding Voltage: 1.6KV
- Operating temperature: -40°C to +115°C
- Soldering temperature: 260°C±5°C/5 Sec
- Safety Approval: cULus

PART NO.: KE xx 5 1 x 2 00J0 G

N=Number of poles    Dim C=(N/2-1)x5.08+5.48  
 Dim L=N/2x5.08+2.72    Dim D=(N/2-1)x5.08+5.48  
 Dim P=(N/2-1)x5.08    Dim E=(N/2-1)x5.08

Poles	Dim L	Dim P	Dim C	Dim D	Dim E
2x2P-2x6P	±0.15	±0.15	+0.05 -0.05	+0.05 -0.05	±0.15
2x7P-2x12P	±0.25	±0.25	+0.10 -0.05	+0.10 -0.05	±0.25
2x13P-2x18P	±0.35	±0.35	+0.20 -0.05	+0.20 -0.05	±0.35
2x19P-2x24P	±0.40	±0.40	+0.25 -0.10	+0.25 -0.10	±0.40

- Solid block
- No. of poles
- 04 2x2poles
- 06 2x3poles
- ... ..
- 48 2x24poles
- Color
- 0 Black (RAL9005)
- 2 Red (RAL3001/D)
- 3 Orange(RAL2011/P)
- 4 Yellow(RAL1018/A)
- 5 Green(RAL6018/T)
- 6 Blue (RAL5015/A)
- 8 Grey(RAL7035/D)
- 9 White(RAL1102)
- C Green(RAL6018/U)
- RoHS compliant (lead<4%)  
In copper Alloy

mat'l. code		surface ASME Y14.5	tolerance ASME Y14.5	projection	product family TERMINAL BLOCK	
ltr	ecn no	dr	date	 MM	title TERMINAL BLOCK	
					scale	PLUGGABLE SOCKET,CLOSE VERTICAL
				dr	EVIN ZHONG	042414
				enrg	EVIN ZHONG	042414
				chr	HANKE FENG	042414
				appd	SHI JUN	042414
sheet index	revision	A			dwg no	sheet 1 of 1
	sheet	1			size	KExx51x200J0G
					type	CUSTOMER Drawing