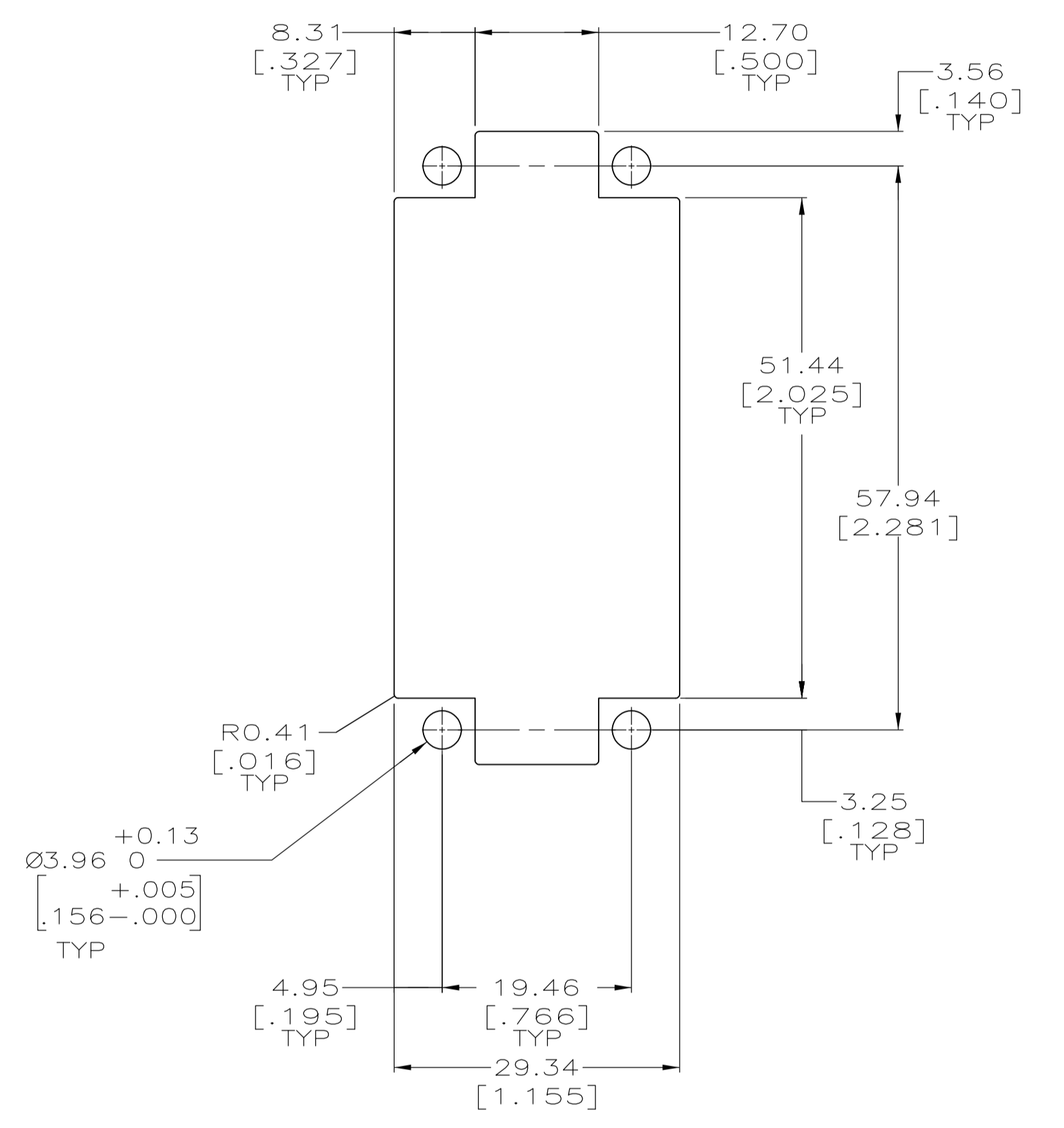
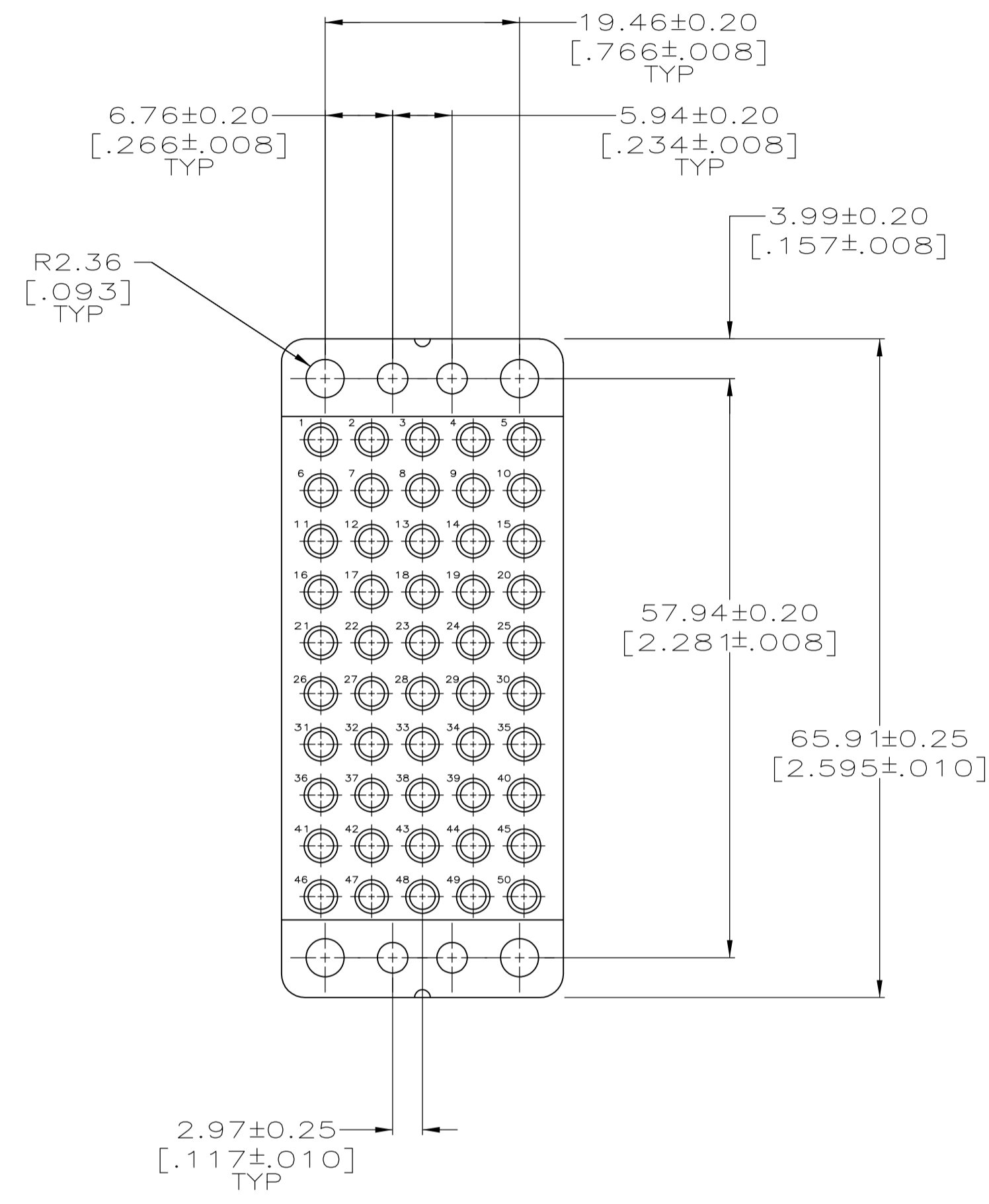
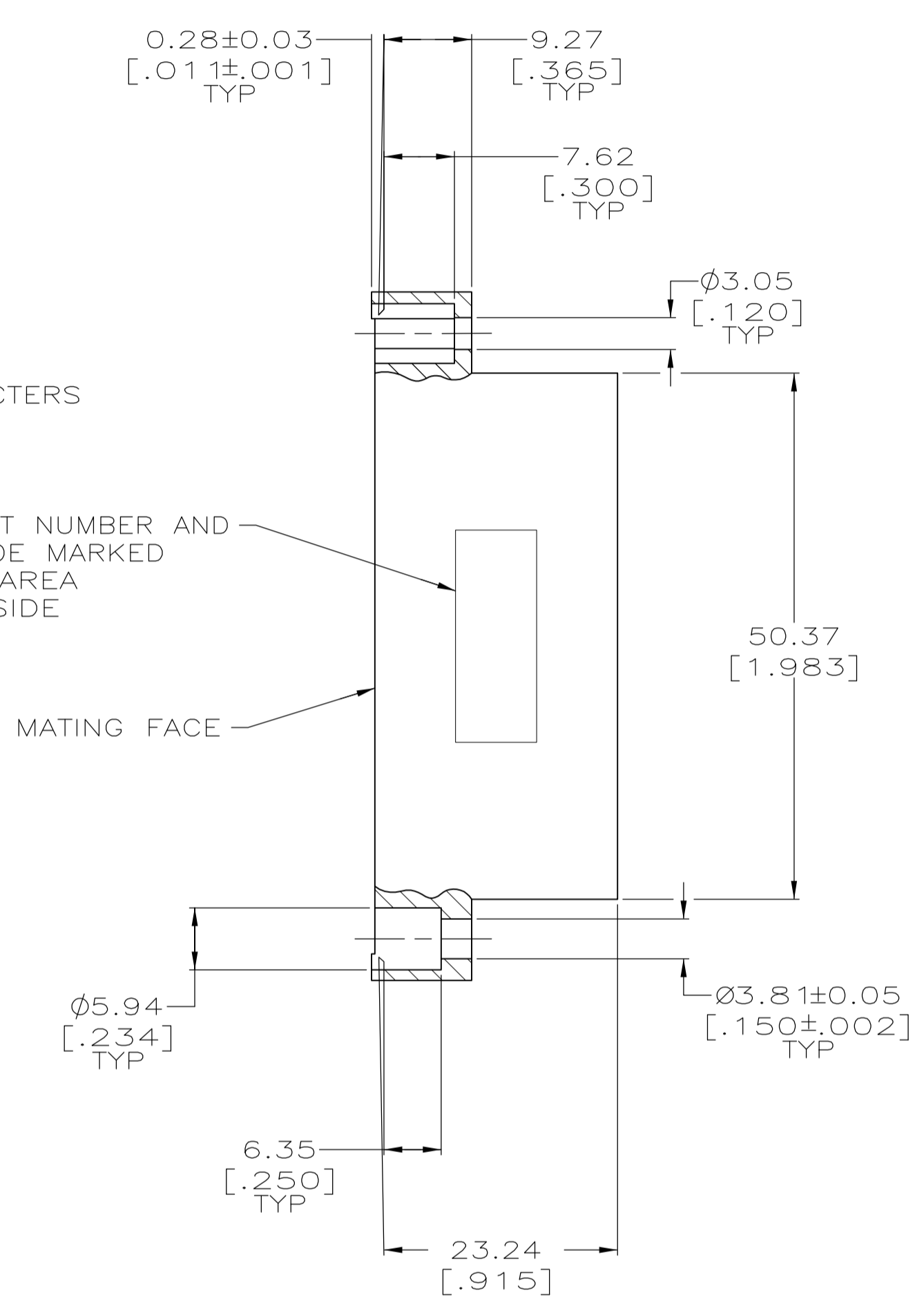
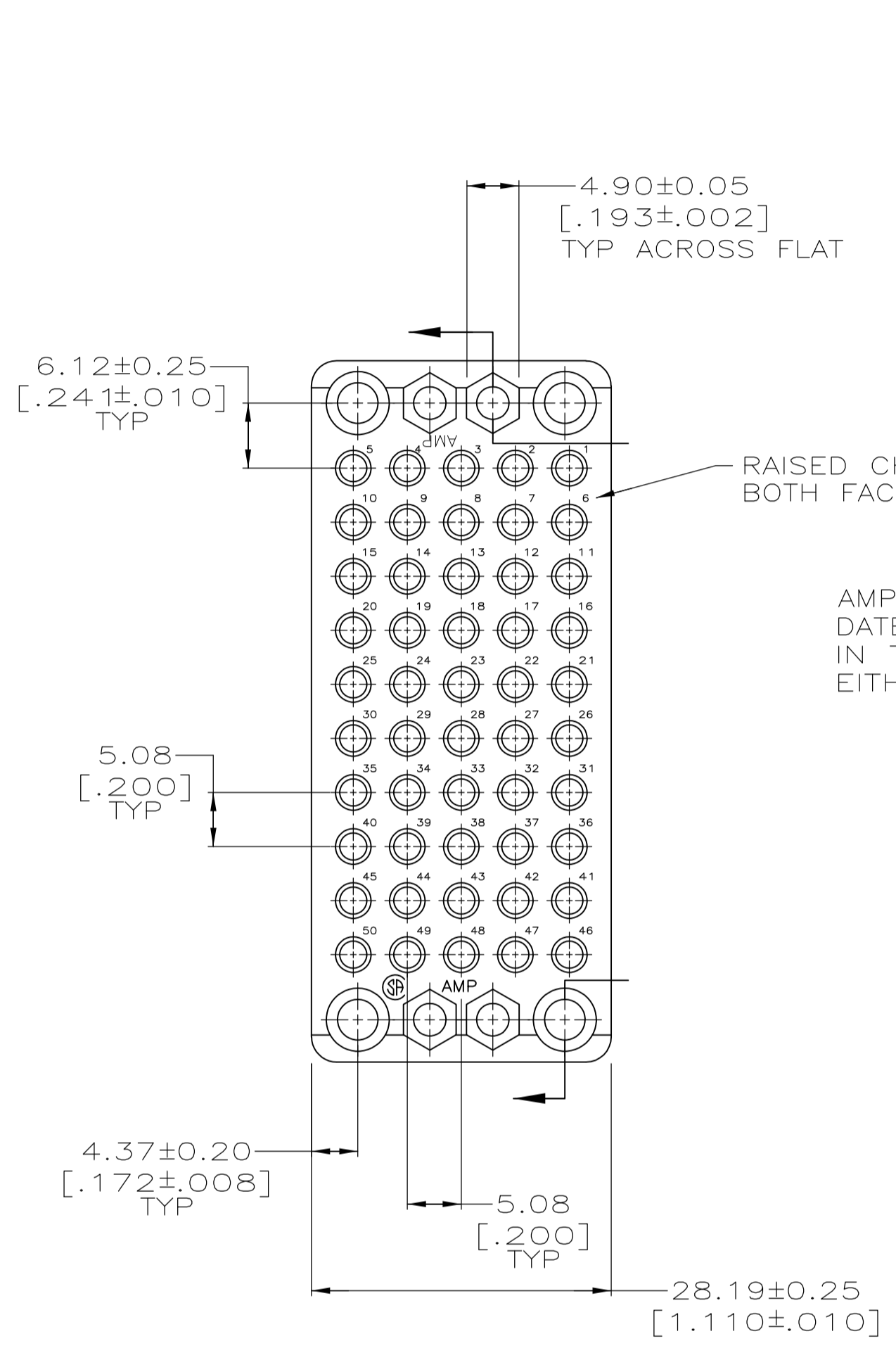


LOC		DIST		REVISIONS			
F	LTR	DESCRIPTION	DATE	DMN	APVD		
F		REVISED PER ECO-08-028426	14NOV08	HMR	GS		



RECOMMENDED PANEL CUTOUT

1 ACCOMODATES TYPE II OR III+ #16 PIN CONTACTS OR TYPE II OR III+ #16 SOCKETS.

205058-2  
PART NUMBER

THIS DRAWING IS A CONTROLLED DOCUMENT.		DMN C. OBERMAN 15 OCT 97	Tyco Electronics Tyco Electronics Corporation Harrisburg, PA 17105-3608
DIMENSIONS: mm [INCHES]		CHK R. STONE 23 OCT 97	
TOLERANCES UNLESS OTHERWISE SPECIFIED:		APVD G. STEINHAUER 13 JAN 98	NAME HOUSING, PLUG, 50 POSITION, M SERIES
0. PLC ± -	1. PLC ± -	PRODUCT SPEC	APPLICATION SPEC
2. PLC ± 0.13 [.005]	3. PLC ± -	SIZE A1	CAGE CODE 00779
4. PLC ± -	ANGLES ± -	DRAWING NO. 205058	RESTRICTED TO
MATERIAL PHENOLIC, BLACK PER MIL-M-14 TYPE C.F.C.	FINISH -	WEIGHT -	CUSTOMER DRAWING
		SCALE 2:1	SHEET 1 of 1
		REV F	