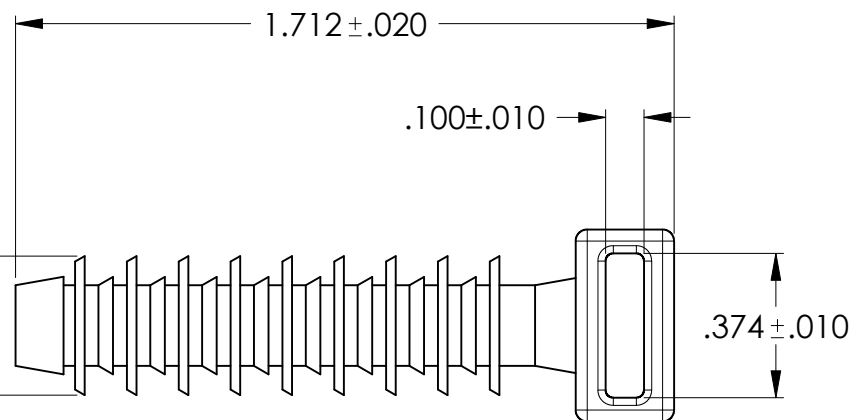
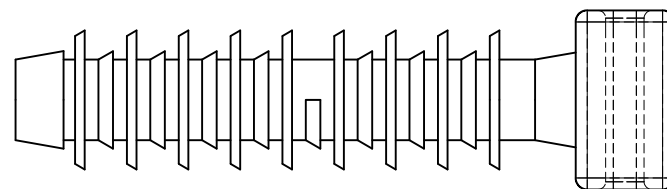
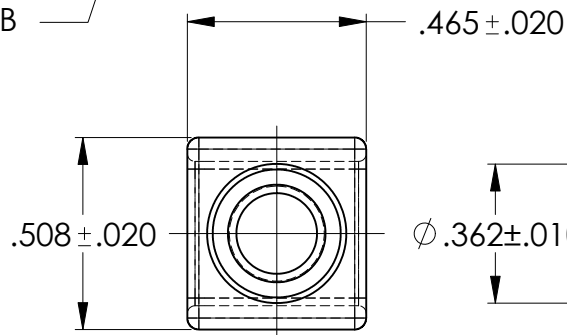


PRODUCT PROVIDED WITH AND WITHOUT PARTIAL CENTER RIB



- NOTES:
- 1) USE WITH T18 THRU T150 CABLE TIES
  - 2) MOUNTING HOLE  $\phi$  .312
  - 3) MOUNTING HOLE MINIMUM DEPTH 1.500

INVENTORS

**HellemannTyton.**

ALL PROPRIETARY RIGHTS IN THE SUBJECT MATTER SHOWN ON THIS DRAWING ARE EXCLUSIVE PROPERTY OF HELLEMMANN TYTON

name	date	city, state

REVISION

level	<b>02</b>
by	KAC
date	11/21/03
ECN #	004204
part level	-

DIMENSIONS

TOLERANCES	.xxxx = ± .0005
	.xxx = ± .005
	.xx = ± .01
	.x = ± .03
	∠ = ± 0.5°
	unless otherwise specified
units	inches

PART

number	MMB1	phase	PRODUCTION
name			
MMB1 MASONRY MOUNT			
material			
NYLON 6/6 HIGH IMPACT BLACK			

DRAWING

format	version N	AH	CAD	SW	scale	2:1
computer file number		previous number				
MT2004001CST_02						
drawn	K.A.C.	checked		approved		
	5/17/93					
type	CUSTOMER			sheet 1 of 1		
number	<b>MT2004001CST</b>					