



PART NAME

NEMA 4X PLASTIC BOX (PTS SERIES)

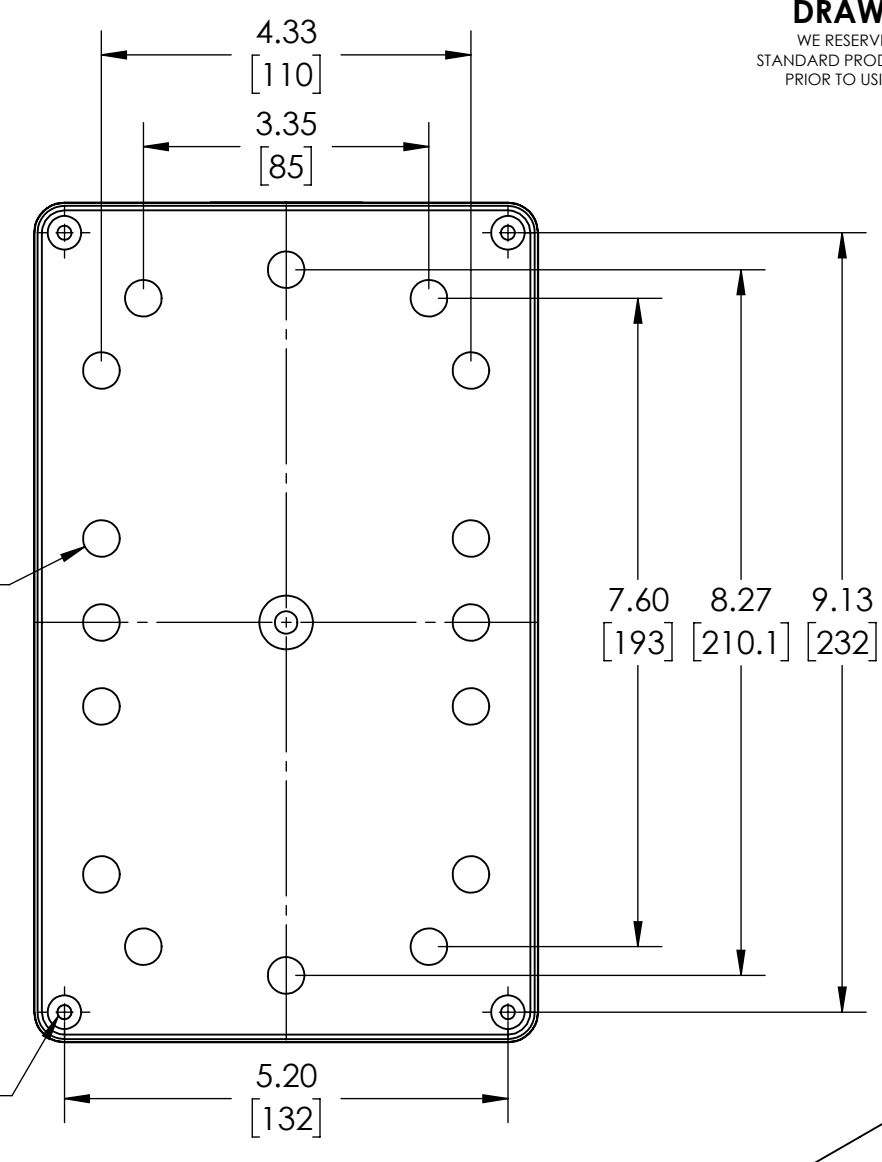
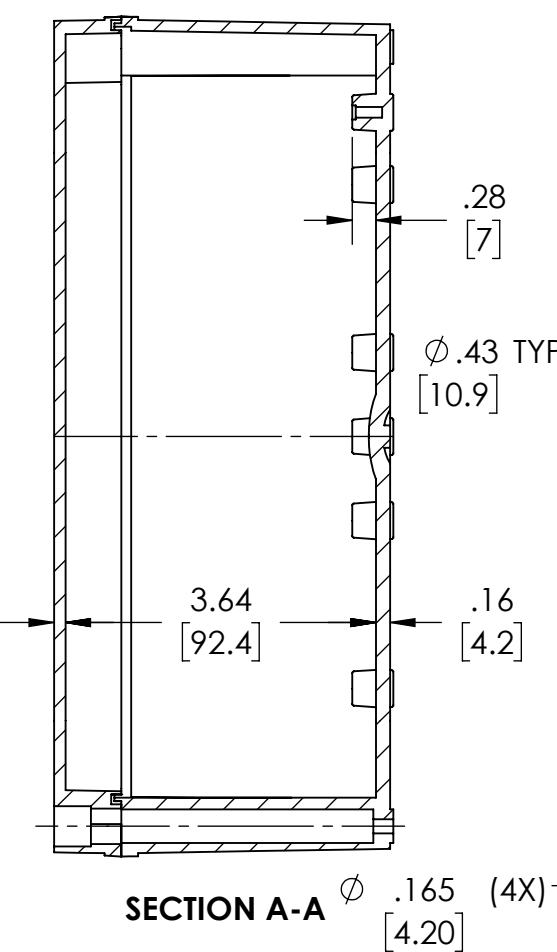
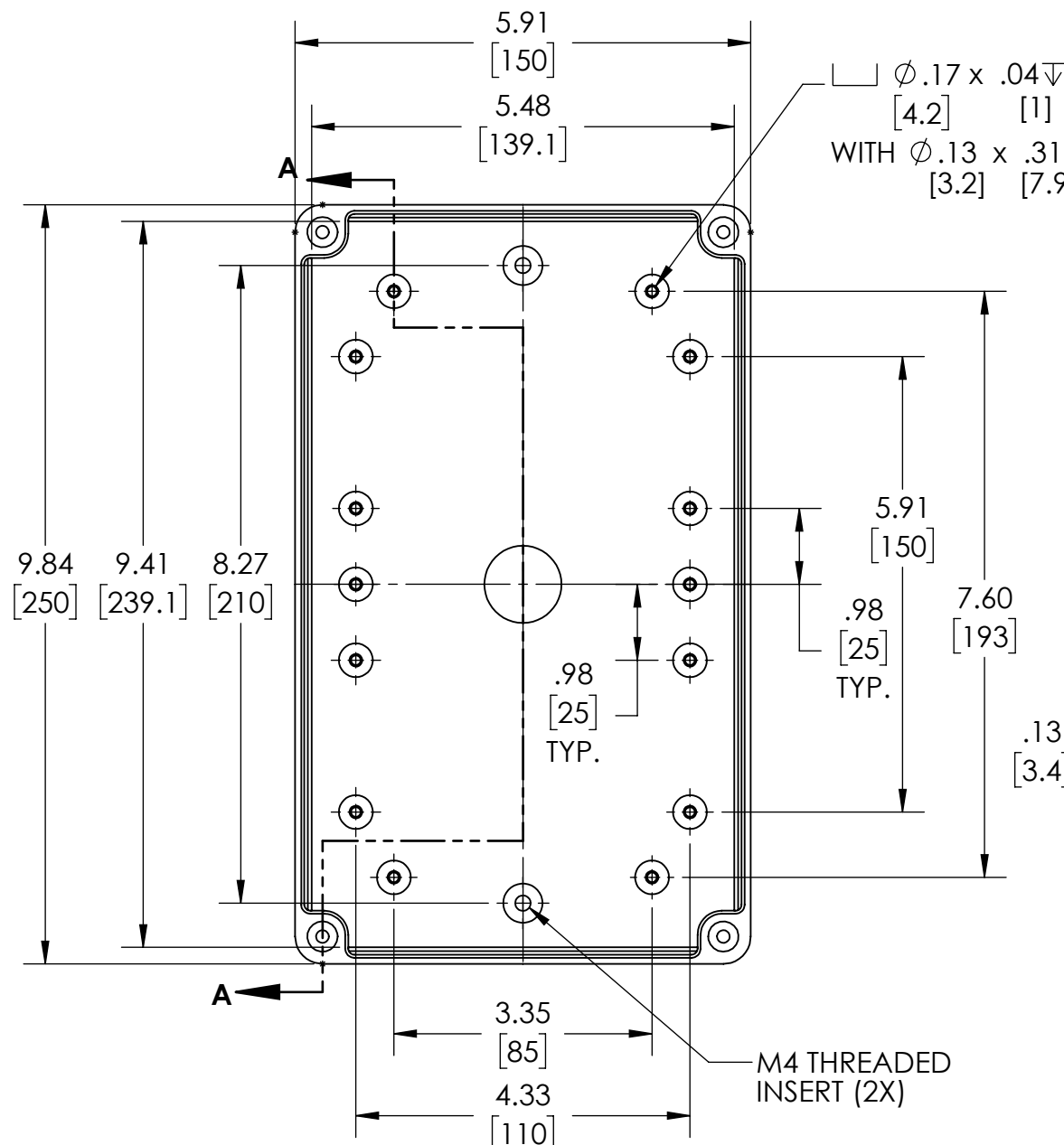
PART No.

PTS-25338 & PTS-25338-C

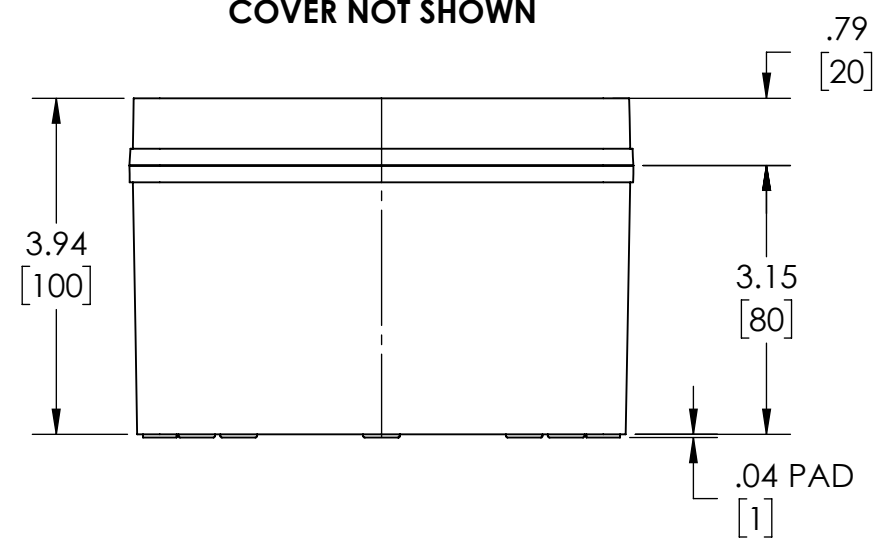
REVISION DATE

5-2-16

DRAWING FOR REFERENCE
WE RESERVE THE RIGHT TO MAKE CHANGES TO OUR STANDARD PRODUCTS. PLEASE CONSULT WITH BUD INDUSTRIES PRIOR TO USING THIS DRAWING FOR DESIGN PURPOSE.



COVER NOT SHOWN



- NOTES:
- 1- MATERIAL: BODY - POLYCARBONATE WITH 10% FIBERGLASS COVER - POLYCARBONATE
 - 2- COLOR: NO SUFFIX - GRAY BODY & GRAY COVER (-C) SUFFIX - GRAY BODY & CLEAR COVER
 - 3- COVER ATTACHES WITH NON-METALLIC CAPTIVE SCREWS (ITEMS NOT SHOWN)
 - 4- SUPPLIED WITH TWO M4 x 8mm LG. PAN HEAD SCREWS (ITEMS NOT SHOWN)
 - 5- DIMENSIONS ARE INCH [MM]

- OPTIONAL ACCESSORIES:
- STEEL INTERNAL PANEL #PTX-25338
 - PLASTIC INTERNAL PANEL #PTX-25338-P
 - MOUNTING BRACKET KIT (STAINLESS STEEL) #NBX-10922
 - MOUNTING BRACKET KIT (PLASTIC) #PIX-4117

