

DO NOT SCALE FROM THIS PRINT

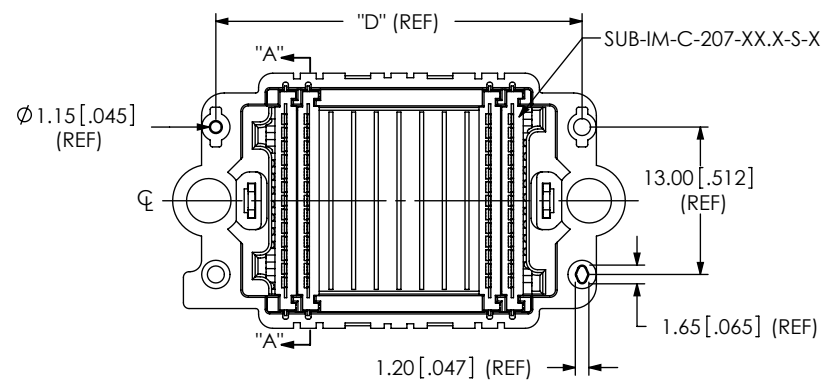
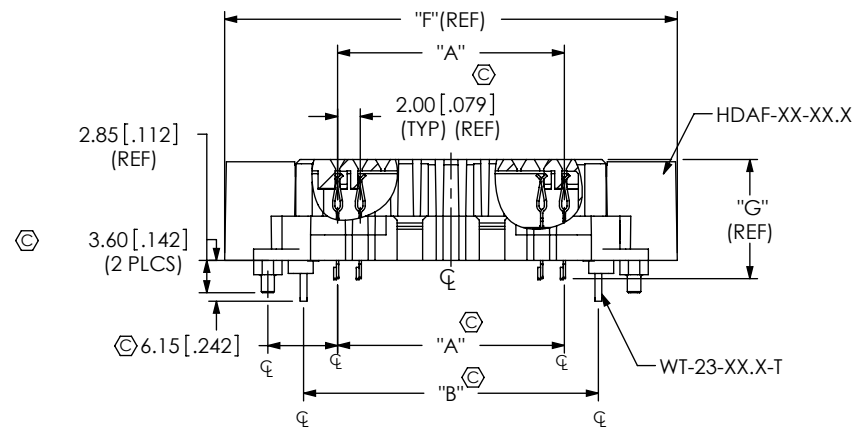
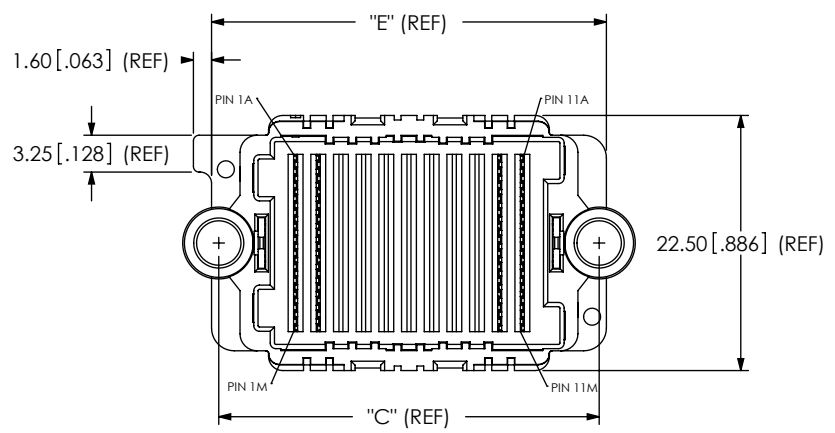


FIG 1  
-11: 1T POSITION  
(HDAF-11-08.0-X-13-X-X SHOWN)  
(SOME WAFERS NOT SHOWN FOR CLARITY)

**DESIGNED & DIMENSIONED  
IN MILLIMETERS  
(INCHES FOR REFERENCE ONLY)**

- NOTES:
1.  $\text{C}$  REPRESENTS A CRITICAL DIMENSION.
  2. MINIMUM PUSHOUT FORCE: 2.22N [.5 LB]. FOR WAFERS AND WELD TABS.
  3. CONNECTORS TO BE PACKAGED IN TRAYS.
  4. DIMENSION FROM  $\phi$  OF END TAIL TO  $\phi$  OF -A PIN.

HDAF-XX-XX.X-X-13-X-X

No OF POSITIONS (13 ROWS PER POSITION)  
-11  
-15  
-23

LEAD STYLE  
-08.0: 8MM  
-18.0: 18MM

PLATING SPECIFICATION  
-S: SELECTIVE, .000030 INCHES GOLD IN MATING AREA, MATTE TIN ON TAIL AND WELD TABS

OPTION  
-P: PICK & PLACE PAD (USE MPP-26-01-N)

SOLDER CHARGE MATERIAL  $\text{C}$   
-1: 63% TIN / 37% LEAD  
-2: 95.5% TIN / 3.8% SILVER 0.7% COPPER (LEAD FREE)

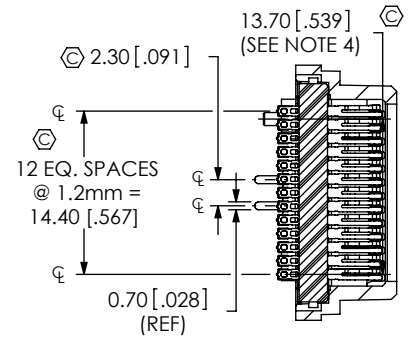
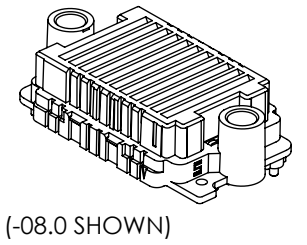
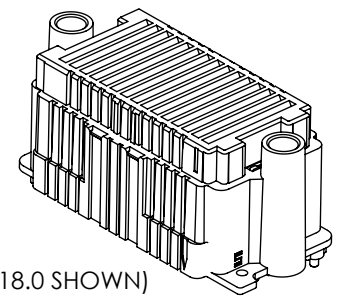
No OF ROWS  
-13

**TABLE 1**

STYLE	"BODY CALLOUT"	"CONTACT WAFER"	"SOLDER NAIL"
-08.0	HDAF-XX-08.0	SUB-IM-C-207-08.0-S-X	WT-23-08.0-T
-18.0	HDAF-XX-18.0	SUB-IM-C-207-18.0-S-X	WT-23-18.0-T

**TABLE 2**  
**STACK HEIGHT**

HDAF LEAD STYLE	HDAM LEAD STYLE	
	-12.0	-17.0
-08.0	20.0MM	25.0MM
-18.0	30.0MM	35.0MM



SECTION "A"-"A"

<p>UNLESS OTHERWISE SPECIFIED, DIMENSIONS ARE IN MILLIMETERS [INCHES]. TOLERANCES ARE:</p> <p>DECIMALS ANGLES X: +0.3 [.01] 2° XX: ±0.13 [.005] XXX: ±0.051 [.0020]</p>	<p>PROPRIETARY NOTE</p> <p>THIS DOCUMENT CONTAINS INFORMATION CONFIDENTIAL AND PROPRIETARY TO SAMTEC, INC. AND SHALL NOT BE REPRODUCED OR TRANSFERRED TO OTHER DOCUMENTS OR DISCLOSED TO OTHERS OR USED FOR ANY PURPOSE OTHER THAN THAT WHICH IT WAS OBTAINED WITHOUT THE EXPRESSED WRITTEN CONSENT OF SAMTEC, INC.</p>	<p><b>samtec</b></p> <p>520 PARK EAST BLVD, NEW ALBANY, IN 47150 PHONE: 812-944-6733 FAX: 812-948-5047 e-Mail: info@SAMTEC.com code: 55322</p>
	<p>MATERIAL: DO NOT SCALE DRAWING SHEET SCALE: 1:5:1</p> <p>INSULATOR: LCP COLOR: BLACK CONTACT: COPPER ALLOY WAFER MATERIAL: LCP, COLOR: BLACK PICK AND PLACE PAD: COPPER ALLOY WELD TAB: BRASS</p>	
<p>F:\DWG\MISC\MKTG\HDAF-XX-XX.X-X-13-X-X-MKT.SLDDRW</p>		<p>BY: D KNOWLDEN 7/14/2005 SHEET 1 OF 2</p>

TABLE 3								
No. OF POS.	LEAD STYLE	"A"	"B"	"C"	"D"	"E"	"F"	"G"
11	08.0	20.0 [1.787]	26.0 [1.02]	33.55 [1.321]	32.30 [1.272]	34.82 [1.371]	39.92 [1.572]	10.51 [1.414]
15	08.0	28.0 [1.102]	34.0 [1.34]	41.55 [1.636]	40.30 [1.587]	42.82 [1.686]	47.92 [1.887]	10.51 [1.414]
23	08.0	44.0 [1.732]	50.0 [1.97]	57.55 [2.266]	56.30 [2.217]	58.82 [2.316]	63.92 [2.517]	10.51 [1.414]
11	18.0	20.0 [1.787]	26.0 [1.02]	33.55 [1.321]	32.30 [1.272]	34.82 [1.371]	39.92 [1.572]	20.51 [1.807]
15	18.0	28.0 [1.102]	34.0 [1.34]	41.55 [1.636]	40.30 [1.587]	42.82 [1.686]	47.92 [1.887]	20.51 [1.807]
23	18.0	44.0 [1.732]	50.0 [1.97]	57.55 [2.266]	56.30 [2.217]	58.82 [2.316]	63.92 [2.517]	20.51 [1.807]

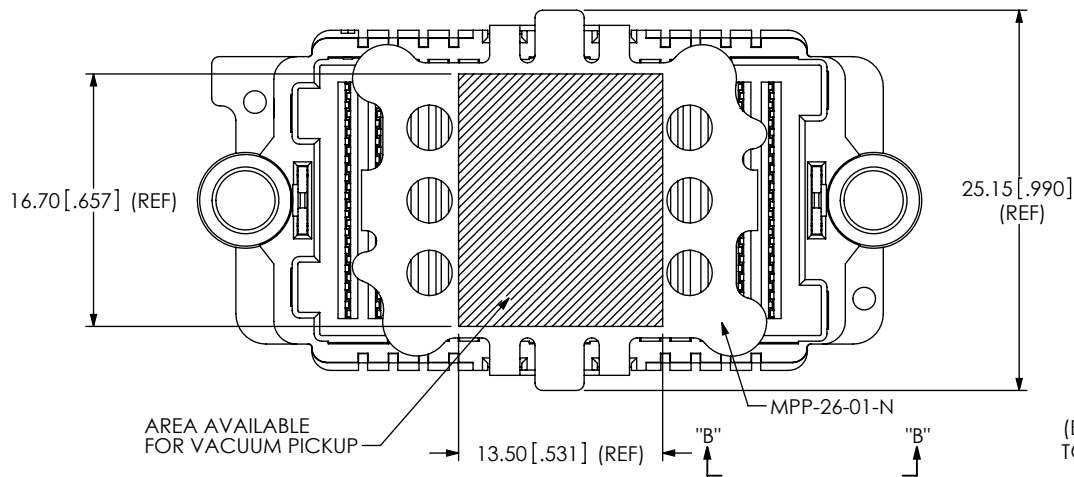
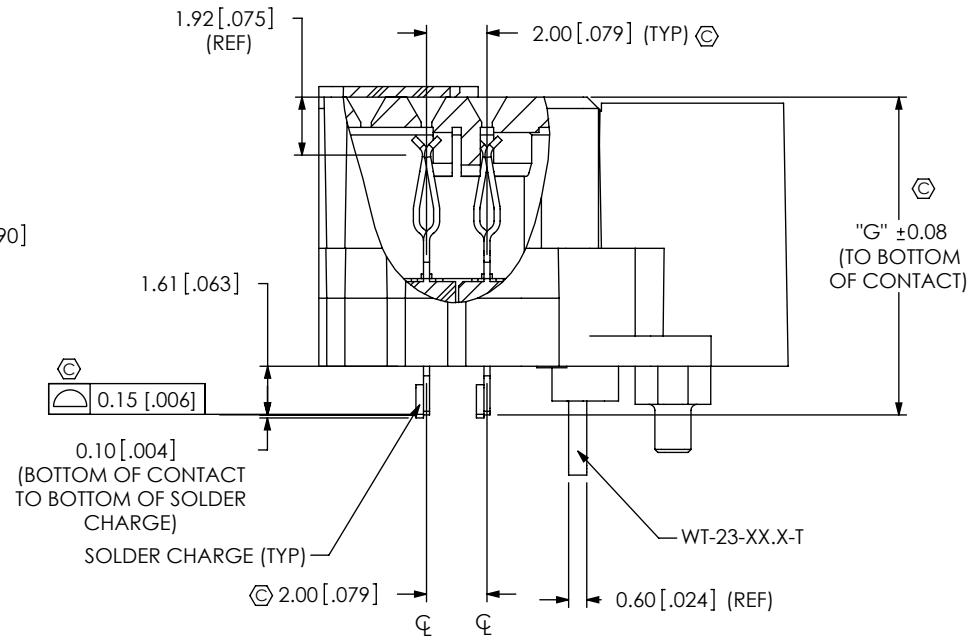
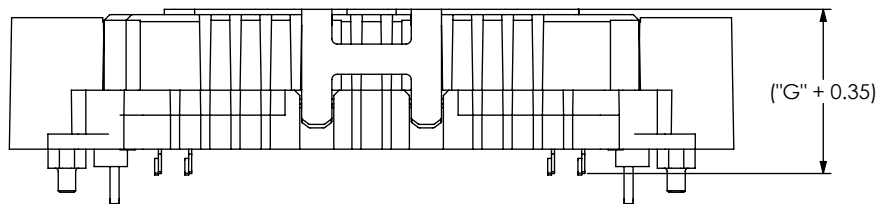


FIG 2  
-15: 15 POSITION  
(HDAF-15-08.0-X-13-X-P SHOWN)  
(SOME WAFERS NOT SHOWN FOR CLARITY)



VIEW "B"-"B"  
SCALE 4:1

F:\DWG\MISC\MKTG\HDAF-XX-XX.X-X-13-X-X-MKT.SLDDRW

**PROPRIETARY NOTE**  
THIS DOCUMENT CONTAINS INFORMATION CONFIDENTIAL AND PROPRIETARY TO SAMTEC, INC. AND SHALL NOT BE REPRODUCED OR TRANSFERRED TO OTHER DOCUMENTS OR DISCLOSED TO OTHERS OR USED FOR ANY PURPOSE OTHER THAN THAT WHICH IT WAS OBTAINED WITHOUT THE EXPRESSED WRITTEN CONSENT OF SAMTEC, INC.

DO NOT SCALE DRAWING

SHEET SCALE: 1:1

**samtec**

520 PARK EAST BLVD, NEW ALBANY, IN 47150  
PHONE: 812-944-6733 FAX: 812-948-5047  
e-Mail: info@SAMTEC.com code: 55322

DESCRIPTION:  
2.0MM PITCH HD ARRAY SOCKET ASSEMBLY

DWG. NO.  
HDAF-XX-XX.X-X-13-X-X

BY:D KNOWLDEN 7/14/2005 SHEET 2 OF 2