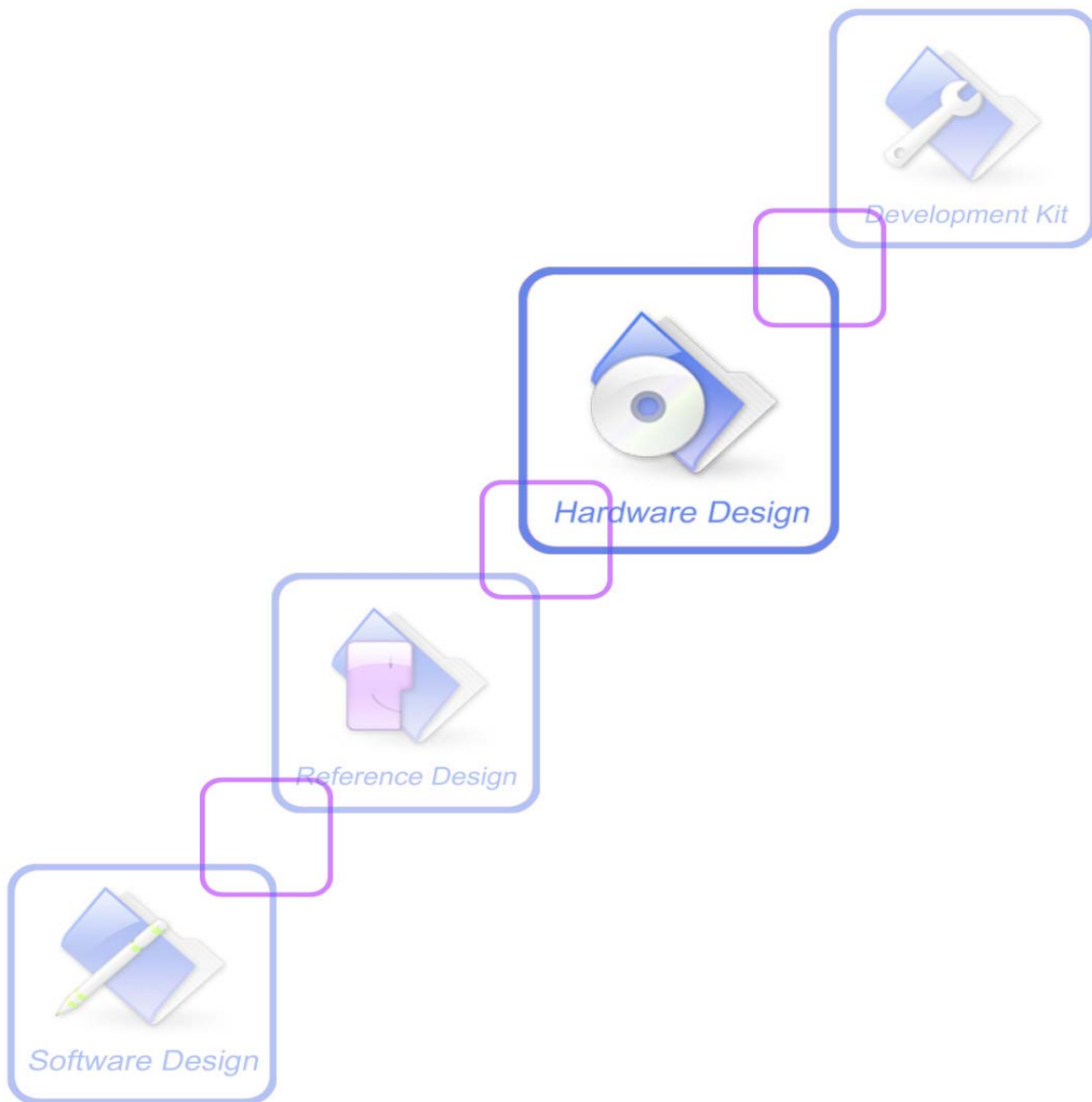




A company of SIM Tech

SIM808_Hardware Design_V1.00



Document Title	SIM808_Hardware_Design_V1.00
Version	1.00
Date	2014-03-27
Status	Release
Document Control ID	SIM808_Hardware Design

General Notes

SIMCom offers this information as a service to its customers, to support application and engineering efforts that use the products designed by SIMCom. The information provided is based upon requirements specifically provided to SIMCom by the customers. SIMCom has not undertaken any independent search for additional relevant information, including any information that may be in the customer's possession. Furthermore, system validation of this product designed by SIMCom within a larger electronic system remains the responsibility of the customer or the customer's system integrator. All specifications supplied herein are subject to change.

Copyright

This document contains proprietary technical information which is the property of SIMCom Limited, copying of this document and giving it to others and the using or communication of the contents thereof, are forbidden without express authority. Offenders are liable to the payment of damages. All rights reserved in the event of grant of a patent or the registration of a utility model or design. All specification supplied herein are subject to change without notice at any time.

Copyright © Shanghai SIMCom Wireless Solutions Ltd. 2014

Contents

Contents	3
Version History	9
1 Introduction	10
2 SIM808 Overview	10
2.1 SIM808 Key Features.....	10
2.2 Operating Modes.....	13
2.3 SIM808 Functional Diagram.....	14
3 Package Information	15
3.1 Pin out Diagram.....	15
3.2 Pin Description.....	16
3.3 Package Dimensions.....	18
4 GSM Application Interface	20
4.1 Power Supply.....	20
4.1.1 Power Supply Pin.....	21
4.1.2 Monitoring Power Supply.....	22
4.2 Power on/down SIM808.....	22
4.2.1 Power on SIM808.....	22
4.2.2 Power down SIM808.....	24
4.2.3 Reset Function.....	25
4.3 Power Saving Mode.....	26
4.3.1 Function Mode.....	27
4.3.2 Sleep Mode (AT+CSCLK=1).....	27
4.3.3 Wake Up SIM808 from Sleep Mode (AT+CSCLK=1).....	27
4.4 Charging Interface.....	28
4.4.1 Battery Pack Characteristics.....	28
4.4.2 Recommended Battery Pack.....	28
4.4.3 Implemented Charging Technique.....	29
4.4.4 Operating Modes during Charging.....	29
4.4.5 Charger Requirements.....	30
4.5 RTC Backup.....	30
4.6 Serial Port and USB Interface.....	31
4.6.1 Function of Serial Port.....	32
4.6.2 Serial Port.....	32
4.6.3 USB Interface.....	34
4.6.4 Software Upgrade and Debug.....	35
4.7 RI Behaviors.....	35
4.8 Audio Interfaces.....	36
4.8.1 Speaker Interface Configuration.....	37
4.8.2 Microphone Interfaces Configuration.....	37
4.8.3 Audio Electronic Characteristics.....	38
4.8.4 TDD.....	38
4.9 Bluetooth.....	39

4.9.1	Antenna Interface	39
4.10	SIM Card Interface	39
4.10.1	SIM Card Application	40
4.10.2	SIM Card Design Consideration	41
4.10.3	Design Considerations for SIM Card Holder	41
4.11	PCM Interface	43
4.11.1	PCM Multiplex Function	43
4.11.2	PCM Interface	44
4.11.3	LCD Display/SPI Interface	44
4.11.4	SD Card Interface	45
4.12	Keypad Interface	45
4.13	I2C BUS	47
4.13.1	General Purpose Input/Output (GPIO)	48
4.14	ADC	48
4.15	PWM	49
4.16	Network Status Indication	50
4.17	Operating Status Indication	50
4.18	RF Synchronization Signal	51
4.19	Antenna Interface	51
5	GPS Application Interface	52
5.1	GPS Operating Modes	52
5.2	GPS Power on/down Scenarios	53
5.2.1	Power on GPS engine	53
5.2.2	Power down GPS engine	53
5.3	GPS Antenna Interface	53
5.3.1	GPS Antenna Interface	53
5.3.2	GPS Antenna Choice Consideration	53
6	Electrical, Reliability and Radio Characteristics	54
6.1	Absolute Maximum Ratings	54
6.2	Recommended Operating Conditions	55
6.3	Digital Interface Characteristics	55
6.4	SIM Card Interface Characteristics	55
6.5	SIM_VDD Characteristics	56
6.6	VDD_EXT Characteristics	56
6.7	VRTC Characteristics	56
6.8	Current Consumption (VBAT = 4V, GPS engine is powered down)	56
6.9	Electro-Static Discharge	57
6.10	Radio Characteristics	58
6.10.1	Module RF Output Power	58
6.10.2	Module RF Receive Sensitivity	59
6.10.3	Module Operating Frequencies	60
7	Manufacturing	61
7.1	Top and Bottom View of SIM808	61
7.2	Typical Solder Reflow Profile	61
7.3	The Moisture Sensitivity Level	62
7.4	Baking Requirements	62
	Appendix	63

A. Related Documents.....	63
B. Terms and Abbreviations.....	64
C. Safety Caution.....	65

Table Index

TABLE 1: SIM808 GSM/GPRS ENGINE KEY FEATURES	10
TABLE 2: GPS ENGINE PERFORMANCE.....	12
TABLE 3: CODING SCHEMES AND MAXIMUM NET DATA RATES OVER AIR INTERFACE.....	12
TABLE 4: OVERVIEW OF OPERATING MODES.....	13
TABLE 5: PIN DESCRIPTION	16
TABLE 6: RECOMMENDED ZENER DIODE	20
TABLE 7: ELECTRONIC CHARACTERISTIC OF THE RESET PIN.....	26
TABLE 8: THE CURRENT CONSUMPTION OF FUNCTION MODES (BS-PA-MFRMS=5).....	27
TABLE 9: SPECIFICATION OF RECOMMENDED BATTERY PACK.....	28
TABLE 10: SERIAL PORT AND USB PIN DEFINITION.....	31
TABLE 11: SERIAL PORT CHARACTERISTICS.....	31
TABLE 12: SERIAL PORT CHARACTERISTICS.....	34
TABLE 13: RI BEHAVIORS	35
TABLE 14: AUDIO INTERFACE DEFINITION.....	36
TABLE 15: MICROPHONE INPUT CHARACTERISTICS.....	38
TABLE 16: AUDIO OUTPUT CHARACTERISTICS.....	38
TABLE 17: SIM PIN DEFINITION.....	40
TABLE 18: PIN DESCRIPTION (MOLEX SIM CARD HOLDER).....	42
TABLE 19: PIN DESCRIPTION (AMPHENOL SIM CARD HOLDER).....	42
TABLE 20: PCM PIN DEFINITION	43
TABLE 21: PCM PIN SPECIFICATION.....	43
TABLE 22: PCM MULTIPLEX FUNCTION.....	43
TABLE 23: PIN DEFINITION OF THE KEYPAD INTERFACE.....	47
TABLE 24: KEYPAD MULTIPLEX FUNCTION.....	47
TABLE 25: PIN DEFINITION OF THE I2C	48
TABLE 26: I2C MULTIPLEX FUNCTION	48
TABLE 27: PIN DEFINITION OF THE GPIO.....	48
TABLE 28: PIN DEFINITION OF THE ADC.....	48
TABLE 29: ADC SPECIFICATION	49
TABLE 30: PIN DEFINITION OF THE PWM	49
TABLE 31: BUZZER OUTPUT CHARACTERISTICS	49
TABLE 32: PWM MULTIPLEX FUNCTION.....	49
TABLE 33: PIN DEFINITION OF THE NETLIGHT	50
TABLE 34: STATUS OF THE NETLIGHT PIN.....	50
TABLE 35: PIN DEFINITION OF THE STATUS.....	50
TABLE 36: DEFINITION OF THE RF_SYNC PIN.....	51
TABLE 37: AT COMMANDS FOR GPS FUNCTION.....	52
TABLE 38: ABSOLUTE MAXIMUM RATINGS.....	54
TABLE 39: RECOMMENDED OPERATING CONDITIONS	55
TABLE 40: DIGITAL INTERFACE CHARACTERISTICS	55
TABLE 41: SIM CARD INTERFACE CHARACTERISTICS.....	55
TABLE 42: SIM_VDD CHARACTERISTICS.....	56

TABLE 43: VDD_EXT CHARACTERISTICS	56
TABLE 44: VRTC CHARACTERISTICS	56
TABLE 45: GSM CURRENT CONSUMPTION*	56
TABLE 46: THE ESD CHARACTERISTICS (TEMPERATURE: 25°C, HUMIDITY: 45 %)	57
TABLE 47: SIM808 GSM 900 AND GSM 850 CONDUCTED RF OUTPUT POWER	58
TABLE 48: SIM808 DCS 1800 AND PCS 1900 CONDUCTED RF OUTPUT POWER	58
TABLE 49: SIM808 CONDUCTED RF RECEIVE SENSITIVITY	59
TABLE 50: SIM808 OPERATING FREQUENCIES	60
TABLE 51: MOISTURE CLASSIFICATION LEVEL AND FLOOR LIFE	62
TABLE 52: BAKING REQUIREMENTS	62
TABLE 53: RELATED DOCUMENTS	63
TABLE 54: TERMS AND ABBREVIATIONS	64
TABLE 55: SAFETY CAUTION	65

SIMCOM CONFIDENTIAL FILE

Figure Index

FIGURE 1: SIM808 FUNCTIONAL DIAGRAM	14
FIGURE 2: SIM808 PIN OUT DIAGRAM (TOP VIEW)	15
FIGURE 3: DIMENSIONS OF SIM808 (UNIT: MM)	18
FIGURE 4: RECOMMENDED PCB FOOTPRINT OUTLINE (UNIT: MM)	19
FIGURE 5: REFERENCE CIRCUIT OF THE VBAT INPUT	20
FIGURE 6: REFERENCE CIRCUIT OF THE LDO POWER SUPPLY	20
FIGURE 7: REFERENCE CIRCUIT OF THE DC-DC POWER SUPPLY	21
FIGURE 8: VBAT VOLTAGE DROP DURING TRANSMIT BURST	21
FIGURE 9: THE MINIMAL VBAT VOLTAGE REQUIREMENT AT VBAT DROP	22
FIGURE 10: POWERED ON/DOWN MODULE USING TRANSISTOR	22
FIGURE 11: POWERED ON/DOWN MODULE USING BUTTON	22
FIGURE 12: TIMING OF POWER ON MODULE	23
FIGURE 13: TIMING OF POWER ON MODULE	23
FIGURE 14: TIMING OF POWER DOWN SIM808 BY PWRKEY	24
FIGURE 15: RESET CIRCUIT	26
FIGURE 16: RESET TIMING SEQUENCE	26
FIGURE 17: SIM808 WITH BATTERY CHARGER AND PACK CONNECTION	28
FIGURE 18: RTC SUPPLY FROM CAPACITOR	30
FIGURE 19: RTC SUPPLY FROM NON-CHARGEABLE BATTERY	30
FIGURE 20: RTC SUPPLY FROM RECHARGEABLE BATTERY	30
FIGURE 21: SEIKO XH414H-IV01E CHARGE-DISCHARGE CHARACTERISTIC	31
FIGURE 22: CONNECTION OF THE SERIAL PORT	32
FIGURE 23: LEVEL CONVERTING BY RESISTOR	33
FIGURE 24: ISOLATION CIRCUIT BY DIODES	33
FIGURE 25: TX LEVEL CONVERTING BY TRANSISTOR	33
FIGURE 26: RX LEVEL CONVERTING BY TRANSISTOR	34
FIGURE 27: USB REFERENCE CIRCUIT	34
FIGURE 28: RI BEHAVIOUR OF VOICE CALLING AS A RECEIVER	35
FIGURE 29: RI BEHAVIOUR OF DATA CALLING AS A RECEIVER	36
FIGURE 30: RI BEHAVIOUR OF URC OR RECEIVE SMS	36
FIGURE 31: RI BEHAVIOUR AS A CALLER	36
FIGURE 32: SPEAKER REFERENCE CIRCUIT	37
FIGURE 33: SPEAKER WITH AMPLIFIER REFERENCE CIRCUIT	37
FIGURE 34 : MICROPHONE REFERENCE CIRCUIT	37
FIGURE 35: BLUETOOTH ANTENNA MATCHING CIRCUIT	39
FIGURE 36: REFERENCE CIRCUIT OF THE 8-PIN SIM CARD HOLDER	40
FIGURE 37: REFERENCE CIRCUIT OF THE 6-PIN SIM CARD HOLDER	40
FIGURE 38: MOLEX 91228 SIM CARD HOLDER	41
FIGURE 39: AMPHENOL C707 10M006 5122 SIM CARD HOLDER	42
FIGURE 40: PCM REFERENCE CIRCUIT	44
FIGURE 41: LCD REFERENCE CIRCUIT	44
FIGURE 42: SD REFERENCE CIRCUIT	45
FIGURE 43: TRADITIONAL KEYPAD REFERENCE CIRCUIT	45
FIGURE 44: EXTENDED KEYPAD REFERENCE CIRCUIT	46
FIGURE 45: ENHANCE THE ESD PERFORMANCE OF KEYPAD CIRCUIT	46
FIGURE 46: KEYPAD DETECTED	47
FIGURE 47: REFERENCE CIRCUIT OF PWM DRIVE BUZZER	49

FIGURE 48: REFERENCE CIRCUIT OF NETLIGHT	50
FIGURE 49: RF_SYNC SIGNAL DURING TRANSMIT BURST	51
FIGURE 50: GSM ANTENNA MATCHING CIRCUIT	51
FIGURE 51: GPS ANTENNA MATCHING CIRCUIT	53
FIGURE 52: TOP AND BOTTOM VIEW OF SIM808	61
FIGURE 53: TYPICAL SOLDER REFLOW PROFILE	61

SIMCOM CONFIDENTIAL FILE

Version History

Date	Version	Description of change	Author
2014-03-27	1.00	Origin	ShengWu.Sun Xuegang.Wang

SIMCOM CONFIDENTIAL FILE

1 Introduction

This document describes SIM808 hardware interface in great detail. This document can help user to quickly understand SIM808 interface specifications, electrical and mechanical details. With the help of this document and other SIM808 application notes, user guide, users can use SIM808 to design various applications quickly.

2 SIM808 Overview

Designed for global market, SIM808 is integrated with a high performance GSM/GPRS engine, a GPS engine and a BT engine. The GSM/GPRS engine is a quad-band GSM/GPRS module that works on frequencies GSM 850MHz, EGSM 900MHz, DCS 1800MHz and PCS 1900MHz. SIM808 features GPRS multi-slot class 12/ class 10 (optional) and supports the GPRS coding schemes CS-1, CS-2, CS-3 and CS-4. The GPS solution offers best-in-class acquisition and tracing sensitivity, Time-To-First-Fix (TTFF) and accuracy.

With a tiny configuration of 24*24*2.6mm, SIM808 can meet almost all the space requirements in user applications, such as M2M, smart phone, PDA, tracker and other mobile devices.

SIM808 has 68 SMT pads, and provides all hardware interfaces between the module and customers' boards.

- Support 4*4*2 keypads.
- One full modem serial port.
- One USB, the USB interfaces can debug, download software.
- Audio channels which include a microphone input and a receiver output.
- One SIM card interface.
- Charging interface.
- Programmable general purpose input and output.
- Support Bluetooth function.
- Support PWM and ADC.
- PCM/SPI/SD card interface, only one function can be accessed synchronously. (Default function is PCM).

SIM808 is designed with power saving technique so that the current consumption is as low as 1mA in sleep mode (GPS engine is powered down).

SIM808 integrates TCP/IP protocol and extended TCP/IP AT commands which are very useful for data transfer applications. For details about TCP/IP applications, please refer to *document [2]*.

2.1 SIM808 Key Features

Table 1: SIM808 GSM/GPRS engine key features

Feature	Implementation
Power supply	3.4V ~ 4.4V
Power saving	Typical power consumption in sleep mode is 1mA (BS-PA-MFRMS=9, GPS engine is powered down)
Charging	Supports charging control for Li-Ion battery
Frequency bands	● SIM808 Quad-band: GSM 850, EGSM 900, DCS 1800, PCS 1900. SIM808

	<p>can search the 4 frequency bands automatically. The frequency bands also can be set by AT command “AT+CBAND”. For details, please refer to <i>document [1]</i>.</p> <ul style="list-style-type: none"> ● Compliant to GSM Phase 2/2+
Transmitting power	<ul style="list-style-type: none"> ● Class 4 (2W) at GSM 850 and EGSM 900 ● Class 1 (1W) at DCS 1800 and PCS 1900
GPRS connectivity	<ul style="list-style-type: none"> ● GPRS multi-slot class 12 (default) ● GPRS multi-slot class 1~12 (optional)
Temperature range	<ul style="list-style-type: none"> ● Normal operation: -40°C ~ +85°C ● Storage temperature -45°C~ +90°C
Data GPRS	<ul style="list-style-type: none"> ● GPRS data downlink transfer: max. 85.6 kbps ● GPRS data uplink transfer: max. 85.6 kbps ● Coding scheme: CS-1, CS-2, CS-3 and CS-4 ● PAP protocol for PPP connect ● Integrate the TCP/IP protocol. ● Support Packet Broadcast Control Channel (PBCCH) ● CSD transmission rates: 2.4, 4.8, 9.6, 14.4 kbps
CSD	<ul style="list-style-type: none"> ● Support CSD transmission
USSD	<ul style="list-style-type: none"> ● Unstructured Supplementary Services Data (USSD) support
SMS	<ul style="list-style-type: none"> ● MT, MO, CB, Text and PDU mode ● SMS storage: SIM card
SIM interface	Support SIM card: 1.8V, 3V
External antenna	Antenna pad
Audio features	<p>Speech codec modes:</p> <ul style="list-style-type: none"> ● Half Rate (ETS 06.20) ● Full Rate (ETS 06.10) ● Enhanced Full Rate (ETS 06.50 / 06.60 / 06.80) ● Adaptive multi rate (AMR) ● Echo Cancellation ● Noise Suppression
Serial port and USB interface	<p>Serial port:</p> <ul style="list-style-type: none"> ● Full modem interface with status and control lines, unbalanced, asynchronous. ● 1200bps to 115200bps. ● Can be used for AT commands or data stream. ● Support RTS/CTS hardware handshake and software ON/OFF flow control. ● Multiplex ability according to GSM 07.10 Multiplexer Protocol. ● Autobauding supports baud rate from 1200 bps to 115200bps. <p>USB interface:</p> <ul style="list-style-type: none"> ● Can be used as debugging and firmware upgrading.
Phonebook management	Support phonebook types: SM, FD, LD, RC, ON, MC.
SIM application toolkit	GSM 11.14 Release 99
Real time clock	Support RTC
Alarm function	Can be set by AT command
Physical characteristics	<p>Size: 24*24*2.6mm</p> <p>Weight: 3.5g</p>

Firmware upgrade

Firmware upgrading by USB interface.

Table 2: GPS engine Performance

Parameter	Description	Performance			
		Min	Type	Max	Unit
Horizontal Position Accuracy(1)	Autonomous		<2.5		m
Velocity Accuracy(2)	Without Aid		0.1		m/s
	DGPS		0.05		m/s
Acceleration Accuracy	Without Aid		0.1		m/s ²
	DGPS		0.05		m/s ²
Timing Accuracy			10		nS
Dynamic Performance	Maximum Altitude			18000	m
	Maximum Velocity			515	m/s
	Maximum Acceleration			4	G
Time To First Fix ⁽³⁾	Hot start		1		s
	Warm start		28		s
	Cold start		30		s
Sensitivity	Autonomous acquisition(cold start)		-147		dBm
	Re-acquisition		-159		dBm
	Tracking		-165		dBm
Receiver	Channels		22/66		
	Update rate			5	Hz
	Tracking L1, CA Code				
	Protocol support NMEA				
Power consumption ⁽⁴⁾	Acquisition		42		mA
	Continuous tracking		24		mA

(1) 50% 24hr static, -130dBm

(2) 50% at 30m/s

(3) GPS signal level: -130dBm

(4) Single Power supply 3.8V@-130dBm,GSM IDLE

Table 3: Coding schemes and maximum net data rates over air interface

Coding scheme	1 timeslot	2 timeslot	4 timeslot
CS-1	9.05kbps	18.1kbps	36.2kbps
CS-2	13.4kbps	26.8kbps	53.6kbps
CS-3	15.6kbps	31.2kbps	62.4kbps
CS-4	21.4kbps	42.8kbps	85.6kbps

2.2 Operating Modes

The table below summarizes the various operating modes of SIM808.

Table 4: Overview of operating modes

Mode	Function
Normal operation	GSM/GPRS SLEEP Module will automatically go into sleep mode if the conditions of sleep mode are enabling and there is no on air and no hardware interrupt (such as GPIO interrupt or data on serial port). In this case, the current consumption of module will reduce to the minimal level. In sleep mode, the module can still receive paging message and SMS.
	GSM IDLE Software is active. Module registered to the GSM network, and the module is ready to communicate.
	GSM TALK Connection between two subscribers is in progress. In this case, the power consumption depends on network settings such as DTX off/on, FR/EFR/HR, hopping sequences, antenna.
	GPRS STANDBY Module is ready for GPRS data transfer, but no data is currently sent or received. In this case, power consumption depends on network settings and GPRS configuration.
	GPRS DATA There is GPRS data transfer (PPP or TCP or UDP) in progress. In this case, power consumption is related with network settings (e.g. power control level); uplink/downlink data rates and GPRS configuration (e.g. used multi-slot settings).
	Charge The mode support charge function (Default is not support).
Power down	Normal power down by sending the AT command “AT+CPOWD=1” or using the PWRKEY. The power management unit shuts down the power supply for the baseband part of the module, and only the power supply for the RTC is remained. Software is not active. The serial port is not accessible. Power supply (connected to VBAT) remains applied.
Minimum functionality mode	AT command “AT+CFUN” can be used to set the module to a minimum functionality mode without removing the power supply. In this mode, the RF part of the module will not work or the SIM card will not be accessible, or both RF part and SIM card will be closed, and the serial port is still accessible. The power consumption in this mode is lower than normal mode.

2.3 SIM808 Functional Diagram

The following figure shows a functional diagram of SIM808:

- The GSM baseband engine
- The GPS engine
- Flash
- The GSM radio frequency part
- The antenna interface
- The other interfaces

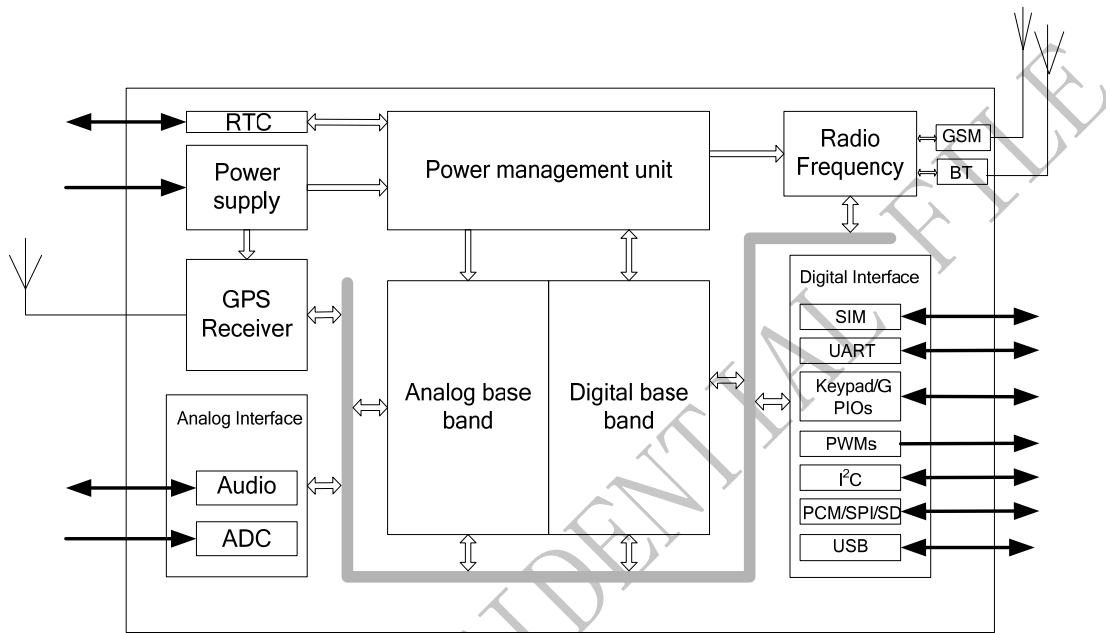


Figure 1: SIM808 functional diagram

3 Package Information

3.1 Pin out Diagram

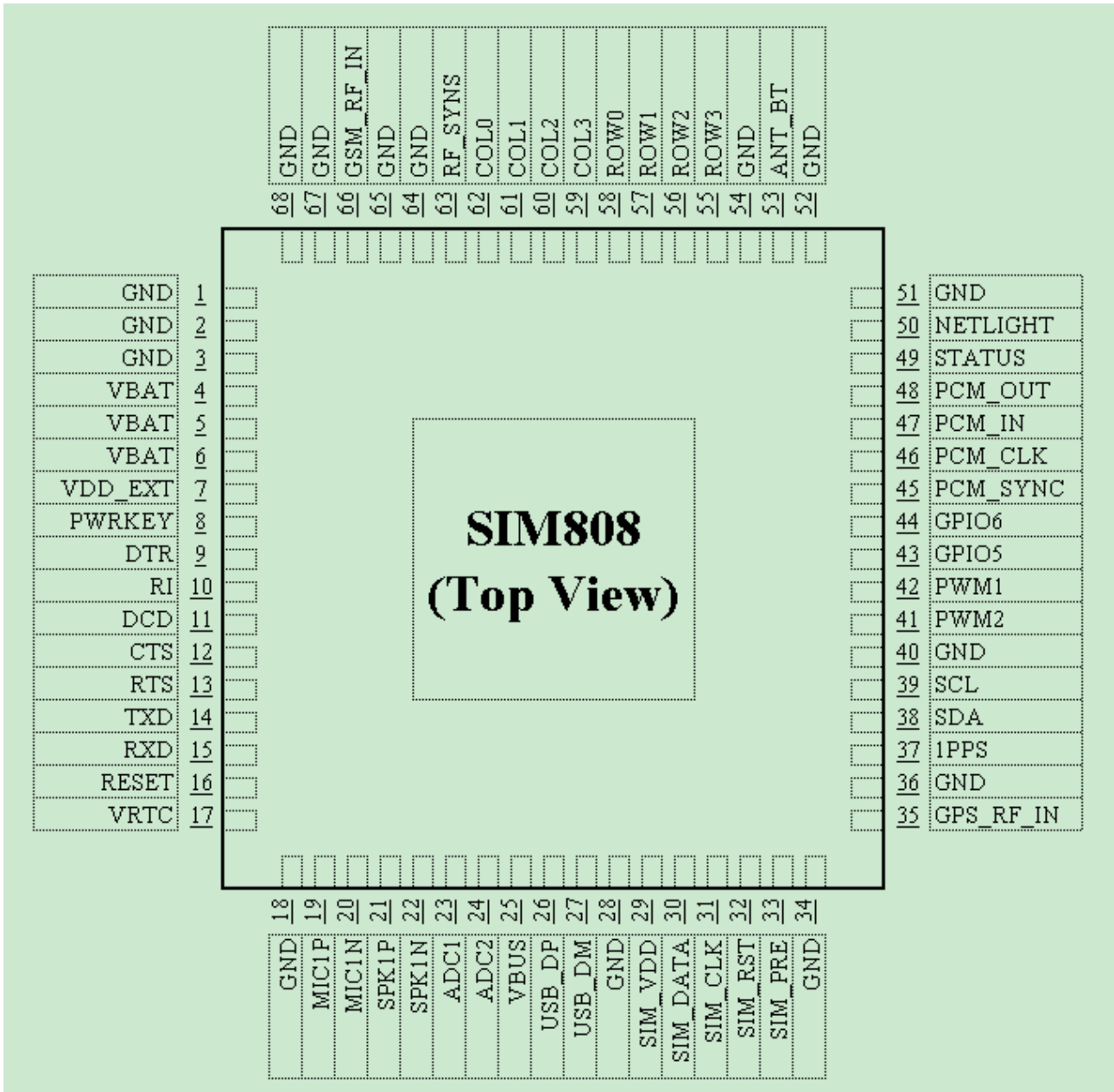


Figure 2: SIM808 pin out diagram (Top view)

3.2 Pin Description

Table 5: Pin description

Pin name	Pin number	I/O	Description	Comment
Power supply				
VBAT	4,5,6	I	SIM808 supplies 3 VBAT pins, and the power range is from 3.4V to 4.4V. Power supply should provide sufficient current so that the module can work normally; the peak current is nearly 2A.	Zener diode is Strongly recommended to anti surge on VBAT.
VRTC	17	I/O	Power supply for RTC	It is recommended to connect VRTC to a battery or a capacitor (e.g. 4.7uF).
VDD_EXT	7	O	2.8V power output	Keep floating if unused.
GND	1,2,3,18,28,34,36,40,51,52,54,64,65,67,68		Ground	Recommend connecting 1,2,3pin to the power GND.
Power on/off				
PWRKEY	8	I	PWRKEY should be pulled low at least 1 second and then released to power on/down the module.	Internally pulled up to VBAT.
Audio interface				
MIC1P	19	I	Differential audio input	Keep floating if unused.
MIC1N	20			
SPK1P	21	O	Differential audio output	
SPK1N	22			
PCM interface				
PCM_OUT	48	O	PCM interface for audio	Keep floating if unused.
PCM_IN	47	I		
PCM_SYNC	45	O		
PCM_CLK	46	I		
Keypad interface				
COL3	59	I	Support up to 32 buttons (4*4*2)	Keep floating if unused. (COL0 can not be pulled down).
COL2	60	I		
COL1	61	I		
COL0	62	I		
ROW3	55	O		
ROW2	56	O		
ROW1	57	O		
ROW0	58	O		

GPIO				
GPIO5	43	I/O	Programmable general purpose input and output.	
GPIO6	44	I/O		
NETLIGHT	50	O	Network status	Can not multiplex with GPIO function.
STATUS	49	O	Power on status	
Serial port				
DTR	9	I	Data terminal ready	Keep floating if unused.
RI	10	O	Ring indicator	
DCD	11	O	Data carrier detect	
CTS	12	O	Clear to send	
RTS	13	I	Request to send	
TXD	14	O	Transmit data	
RXD	15	I	Receive data	
USB interface				
VBUS	25	I	Debug and firmware upgrading	Keep floating if unused.
USB_DP	26	I/O		
USB_DM	27	I/O		
ADC				
ADC1	23	I	10 bit general analog to digital converter	Keep floating if unused.
ADC2	24			
PWM				
PWM1	42	O	Pulse-width modulation, multiplex with GPIO4.	Keep floating if unused.
PWM2	41	O	Pulse-width modulation, multiplex with GPIO3.	
I2C				
SDA	38	I/O	I2C serial bus data	Internal pulled up to 2.8V via 4.7KΩ
SCL	39	O	I2C serial bus clock	
SIM interface				
SIM_VDD	29	O	Voltage supply for SIM card. Support 1.8V or 3V for SIM card	All signals of SIM interface should be protected against ESD with a TVS diode array.
SIM_DATA	30	I/O	SIM data input/output	
SIM_CLK	31	O	SIM clock	
SIM_RST	32	O	SIM reset	
SIM_PRESENCE	33	I	SIM card detection	
Antenna				
GSM_RF_IN	66	I/O	Connect GSM antenna	Impedence must be controlled to 50Ω.
ANT_BT	53	I/O	Connect Bluetooth antenna	Impedence must be controlled to 50Ω.
GPS_RF_IN	35	I	Connect GPS antenna	Impedence must be controlled to 50Ω.
RF synchronization				
RF_SYNC	63	O	RF burst synchronous signal	Do not pull up

Other signal				
RESET	16	I	Reset input(Active low)	
1PPS	37	I	Time Mark outputs timing pulse related to receiver time	If unused, keep open.

3.3 Package Dimensions

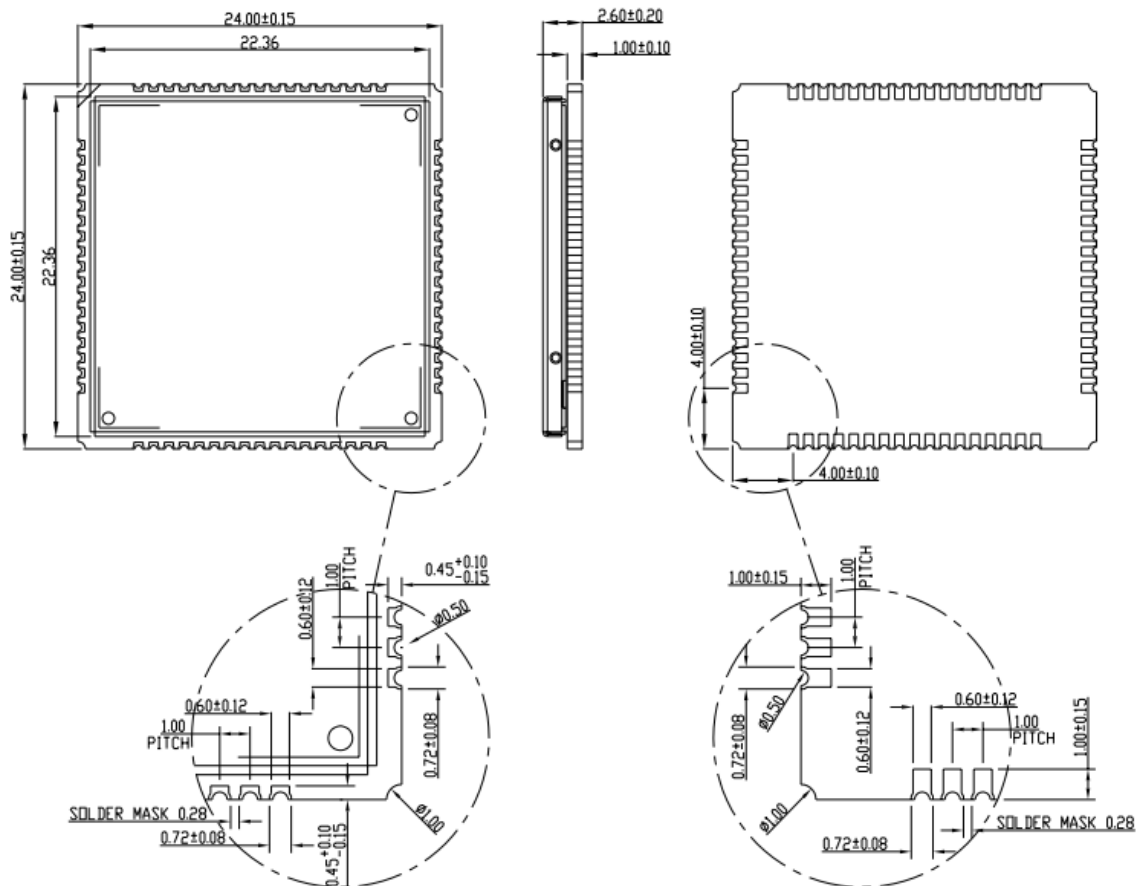


Figure 3: Dimensions of SIM808 (Unit: mm)

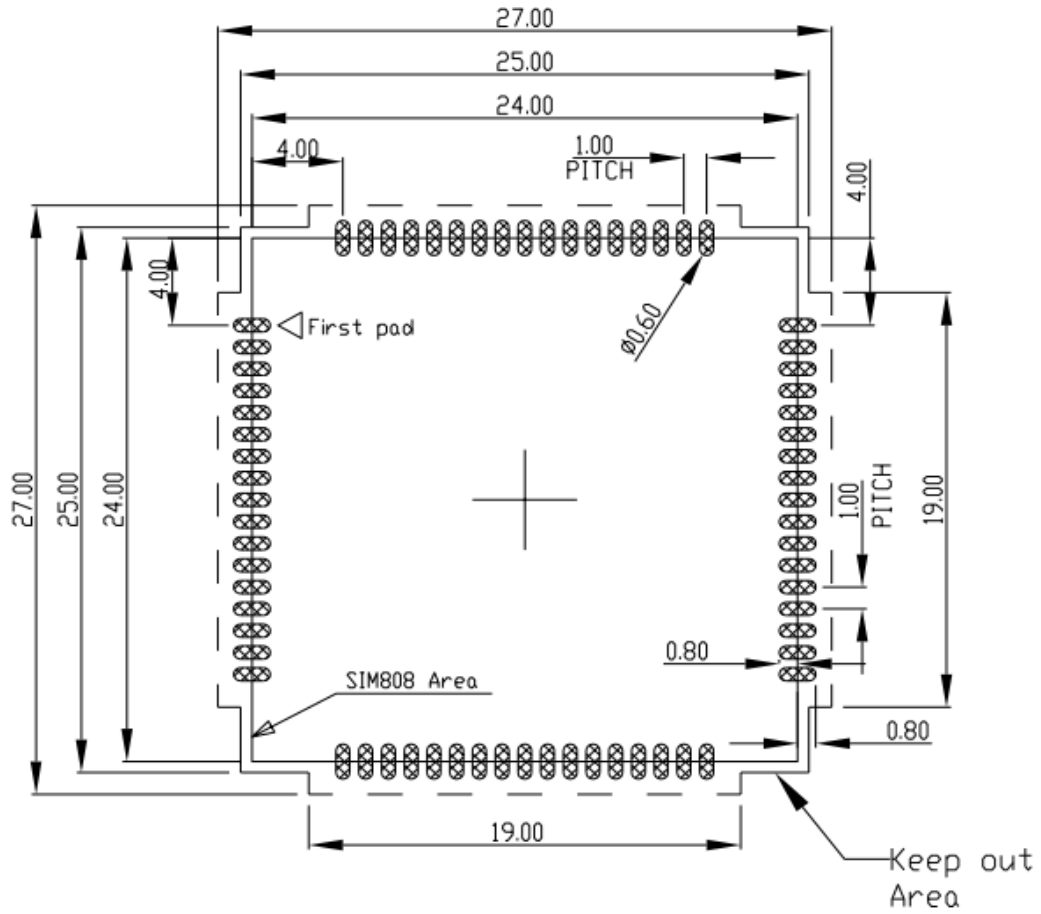


Figure 4: Recommended PCB footprint outline (Unit: mm)

SIMCOM CONFIDENTIAL

4 GSM Application Interface

4.1 Power Supply

The power supply range of SIM808 is from 3.4V to 4.4V. Recommended voltage is 4.0V. The transmitting burst will cause voltage drop and the power supply must be able to provide sufficient current up to 2A. For the VBAT input, a bypass capacitor (low ESR) such as a 100 μ F is strongly recommended.

Increase the 33PF and 10PF capacitors can effectively eliminate the high frequency interference. A 5.1V/500mW Zener diode is strongly recommended, the diode can prevent chip from damaging by the voltage surge. These capacitors and Zener diode should be placed as close as possible to SIM808 VBAT pins.

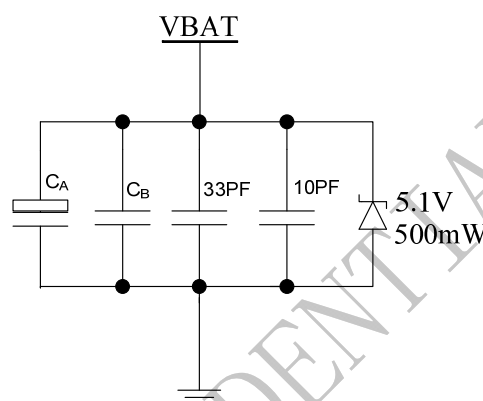


Figure 5: Reference circuit of the VBAT input

Table 6: Recommended Zener diode

	Vendor	Part number	Power(watts)	Packages
1	On semi	MMSZ5231BT1G	500mW	SOD123
2	Prisemi	PZ3D4V2H	500mW	SOD323
3	Prisemi	PZ5D4V2H	500mW	SOD523
4	Vishay	MMSZ4689-V	500mW	SOD123
5	Crownpo	CDZ55C5V1SM	500mW	0805

The following figure is the reference design of +5V input power supply. The designed output for the power supply is 4.1V, thus a linear regulator can be used.

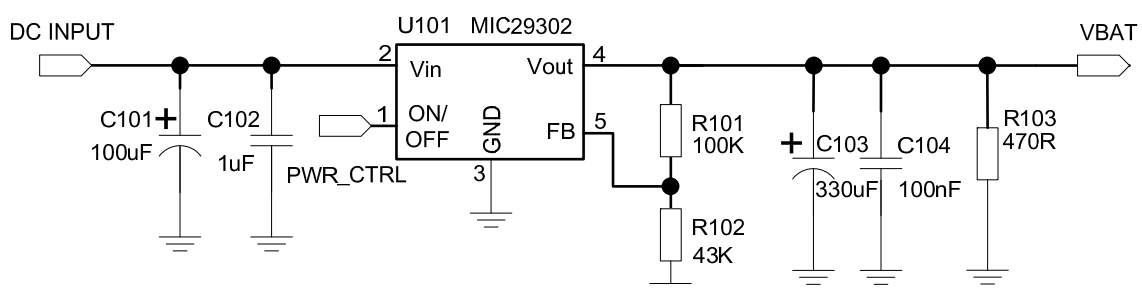


Figure 6: Reference circuit of the LDO power supply

If there is a high drop-out between the input and the desired output (VBAT), a DC-DC power supply will be preferable because of its better efficiency especially with the 2A peak current in burst mode of the module. The following figure is the reference circuit.

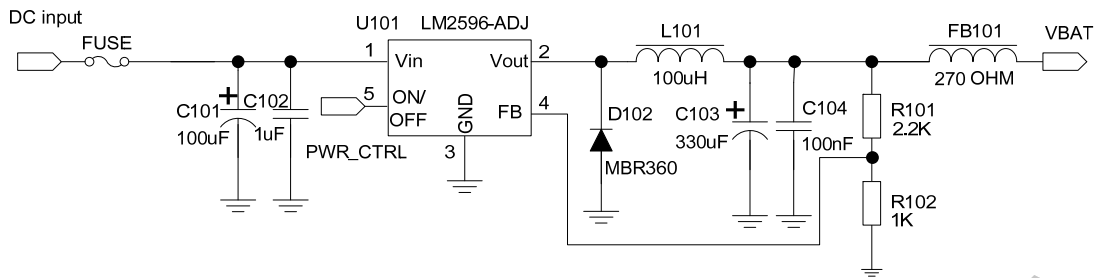


Figure 7: Reference circuit of the DC-DC power supply

The single 3.7V Li-ion cell battery can be connected to SIM808 VBAT pins directly. But the Ni-Cd or Ni-MH battery must be used carefully, since their maximum voltage can rise over the absolute maximum voltage of the module and damage it.

Notes: The module do not support for charging Ni-Cd or Ni-MH battery.

When battery is used, the total impedance between battery and VBAT pins should be less than 150mΩ.

The following figure shows the VBAT voltage drop at the maximum power transmit phase, and the test condition is as following:

VBAT=4.0V,

A VBAT bypass capacitor $C_A=100\mu\text{F}$ tantalum capacitor (ESR=0.7Ω),

Another VBAT bypass capacitor $C_B=1\mu\text{F}$.

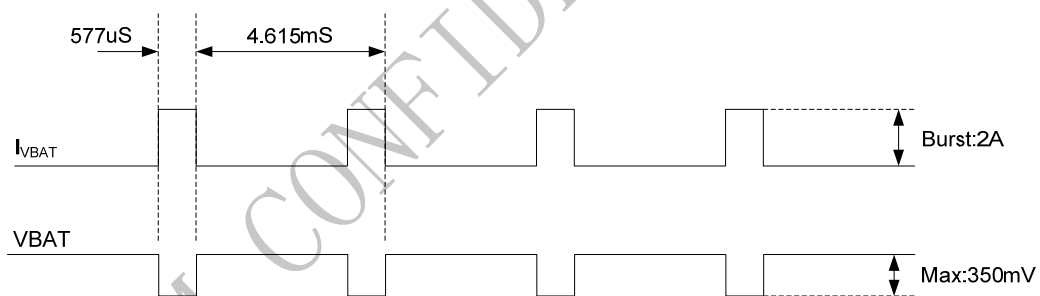


Figure 8: VBAT voltage drop during transmit burst

4.1.1 Power Supply Pin

The 3 VBAT pins are used for power input, and pin 4, 5, 6 should be connected to the power GND. VRTC pin is power supply of the RTC circuit in the module. VDD_EXT will output 2.8V when module powered up.

When designing the power supply in user's application, pay special attention to power losses. Ensure that the input voltage never drop below 3.0V even when current consumption rises to 2A in the transmit burst. If the power voltage drops below 3.0V, the module may be shut down automatically. The PCB traces from the VBAT pins to the power supply must be wide enough (at least 60mil) to decrease voltage drops in the transmit burst. The power IC and the bypass capacitor should be placed to the module as close as possible.

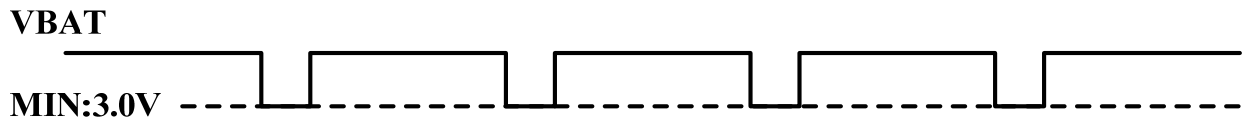


Figure 9: The minimal VBAT voltage requirement at VBAT drop

4.1.2 Monitoring Power Supply

The AT command “AT+CBC” can be used to monitor the VBAT voltage. For detail, please refer to *document [1]*.

4.2 Power on/down SIM808

4.2.1 Power on SIM808

4.2.1.1 Turn on SIM808 Using the PWRKEY Pin (Power on)

User can power on SIM808 by pulling down the PWRKEY pin for at least 1 second and release. This pin is already pulled up to VBAT in the module internal, so external pull up is not necessary. Reference circuit is shown as below.

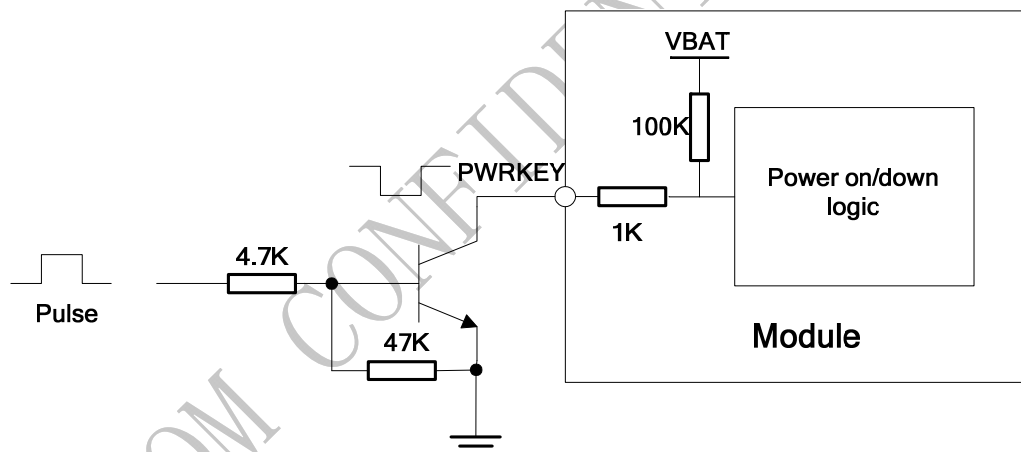


Figure 10: Powered on/down module using transistor

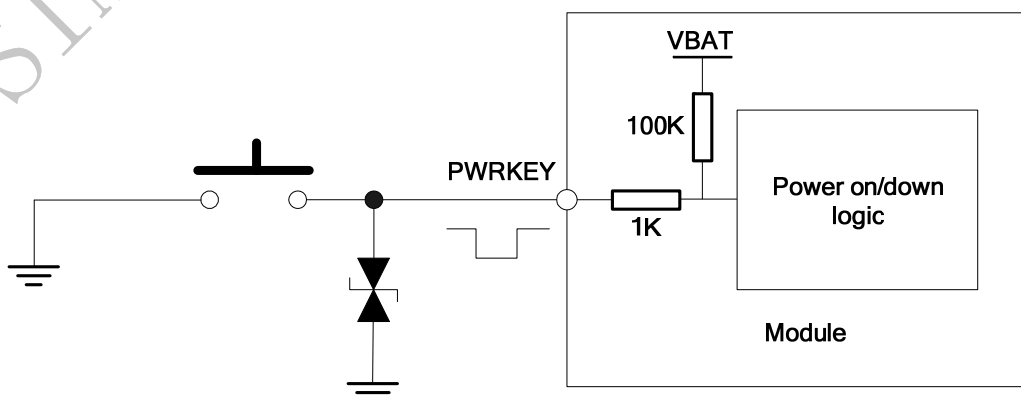


Figure 11: Powered on/down module using button

The power on scenarios is illustrated as following figure.

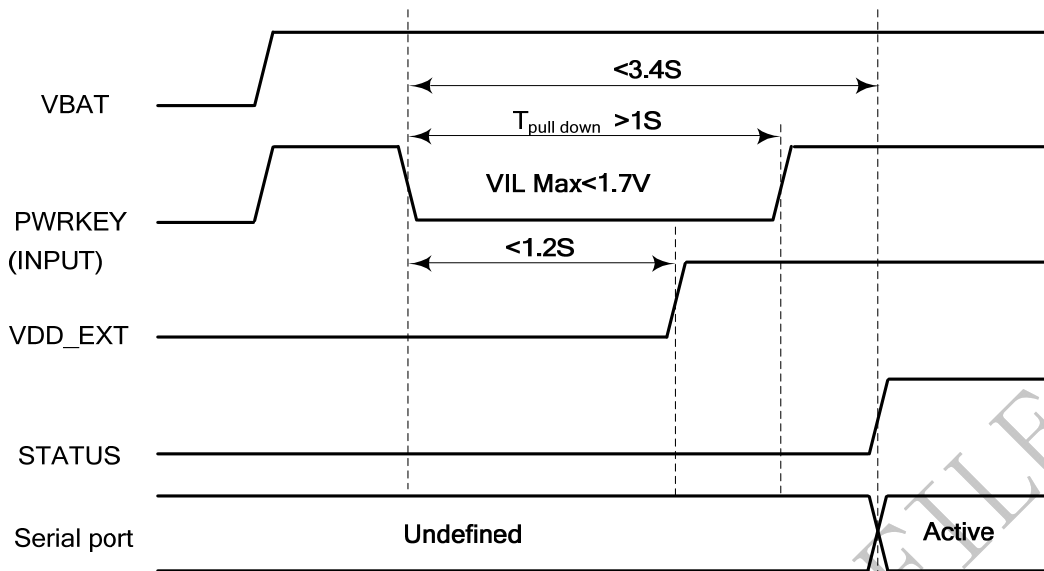


Figure 12: Timing of power on module

When power on procedure is completed, SIM808 will send following URC to indicate that the module is ready to operate at fixed baud rate.

RDY

This URC does not appear when autobauding function is active.

Note: User can use AT command “AT+IPR=x” to set a fixed baud rate and save the configuration to non-volatile flash memory. After the configuration is saved as fixed baud rate, the Code “RDY” should be received from the serial port every time when SIM808 is powered on. For details, please refer to the chapter “AT+IPR” in document [1].

4.2.1.2 Turn on the SIM808 using the VBUS Signal

The SIM808 will be automatically turned on when a charger is connected to VBUS pin, the switched-off SIM808 of which VBAT pin voltage is greater than 3.4V. SIM808 will power up.

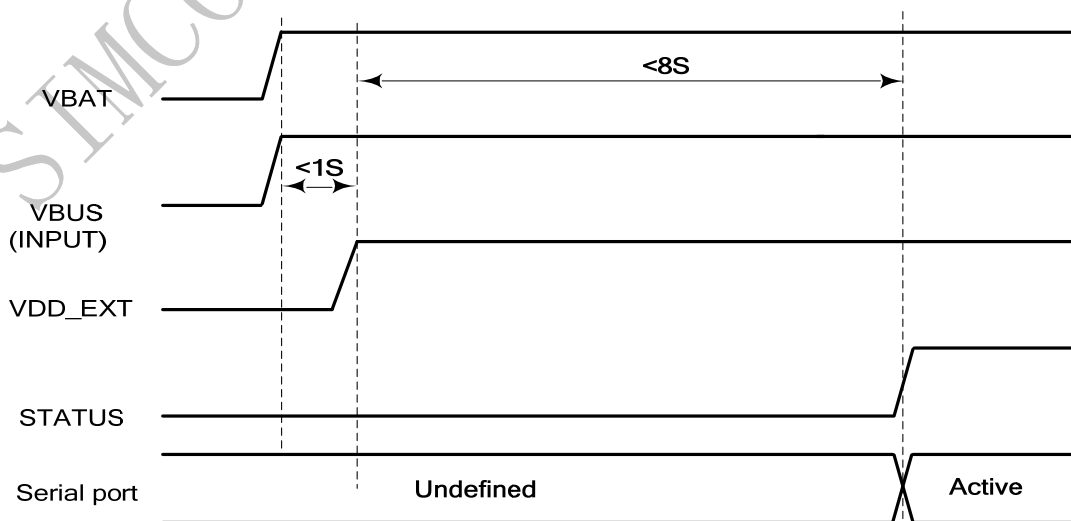


Figure 13: Timing of power on module

4.2.2 Power down SIM808

SIM808 will be powered down in the following situations:

- Normal power down procedure: power down SIM808 by the PWRKEY pin.
- Normal power down procedure: power down SIM808 by AT command “AT+CPOWD=1”.
- Abnormal power down: over-voltage or under-voltage automatic power down.
- Abnormal power down: over-temperature or under-temperature automatic power down.

NOTE: The VBUS pin should not be charged, otherwise, the module will not be powered down.

4.2.2.1 Power down SIM808 by the PWRKEY Pin

User can power down SIM808 by pulling down the PWRKEY pin for at least 1 second and release. Please refer to the power on circuit. The power down scenario is illustrated in following figure.

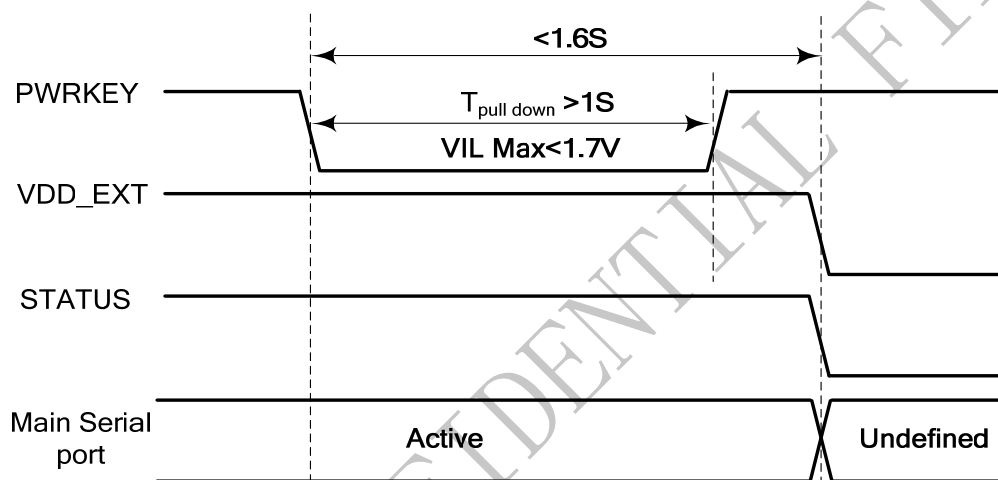


Figure 14: Timing of power down SIM808 by PWRKEY

This procedure makes the module log off from the network and allows the software to enter into a secure state to save data before completely shut down.

Before the completion of the power down procedure, the module will send URC:

NORMAL POWER DOWN

At this moment, AT commands can not be executed any more, and only the RTC is still active. Power down mode can also be indicated by STATUS pin, which is at low level at this time.

4.2.2.2 Power down SIM808 by AT Command

SIM808 can be powered down by AT command “AT+CPOWD=1”. This procedure makes the module log off from the network and allows the software to enter into a secure state to save data before completely shut down.

Before the completion of the power down procedure, the module will send URC:

NORMAL POWER DOWN

At this moment, AT commands can not be executed any more, and only the RTC is still active. Power down mode can also be indicated by STATUS pin, which is at low level at this time.

For detail about the AT command “AT+CPOWD”, please refer to *document [1]*

4.2.2.3 Over-voltage or Under-voltage Power down

The module software monitors the VBAT voltage constantly.

If the voltage $\leq 3.5V$, the following URC will be reported:

UNDER-VOLTAGE WARNNING

If the voltage $\geq 4.3V$, the following URC will be reported:

OVER-VOLTAGE WARNNING

If the voltage $< 3.4V$, the following URC will be reported, and the module will be automatically powered down.

UNDER-VOLTAGE POWER DOWN

If the voltage $> 4.4V$, the following URC will be reported, and the module will be automatically powered down.

OVER-VOLTAGE POWER DOWN

At this moment, AT commands can not be executed any more, and only the RTC is still active. Power down mode can also be indicated by STATUS pin, which is at low level at this time.

4.2.2.4 Over-temperature or Under-temperature Power down

The module will constantly monitor the temperature of the module,

If the temperature $> +80^{\circ}C$, the following URC will be reported:

+CMTE: 1

If the temperature $< -30^{\circ}C$, the following URC will be reported:

+CMTE:-1

If the temperature $> +85^{\circ}C$, the following URC will be reported, and the module will be automatically powered down.

+CMTE: 2

If the temperature $< -40^{\circ}C$, the following URC will be reported, and the module will be automatically powered down.

+CMTE:-2

At this moment, AT commands can not be executed any more, and only the RTC is still active. Power down mode can also be indicated by STATUS pin, which is at low level at this time.

The AT command “AT+CMTE” could be used to read the temperature when the module is running.

For details please refer to *document [1]*.

4.2.3 Reset Function

SIM808 also has a RESET pin (pin 16) used to reset the module. This function is used as an emergency reset only when AT command “AT+CPOWD=1” and the POWER_ON pin has no effect. User can pull the RESET pin to ground, then the module will reset.

This pin is already isolated in the module, so the external isolation is not necessary. Following figure is internal circuit of the RESET pin.

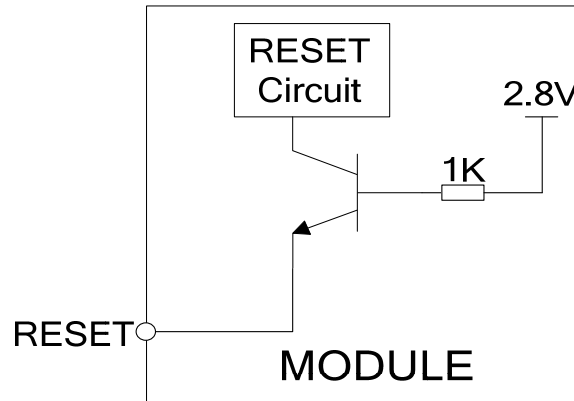


Figure 15: Reset Circuit

The typical value of RESET pin high level is 2.8V, so for the 3V or 3.3V, customer could use MCU's GPIO to driver this pin directly, resistor in serial the RESET signal could enhance the ESD performance but the value should not be too high, otherwise the level of RESET could be lower than threshold value; RESET hardware parameters can refer to the following table.

Table 7: Electronic characteristic of the RESET Pin

Pin name	Symbol	Min	Typ	Max	Unit
RESET	V_{IH}	2.7	2.8	2.9	V
	V_{IL}	-	-	0.6	V
	$T_{pull\ down}$	105		-	mS

The reset scenarios are illustrated in the following figures.

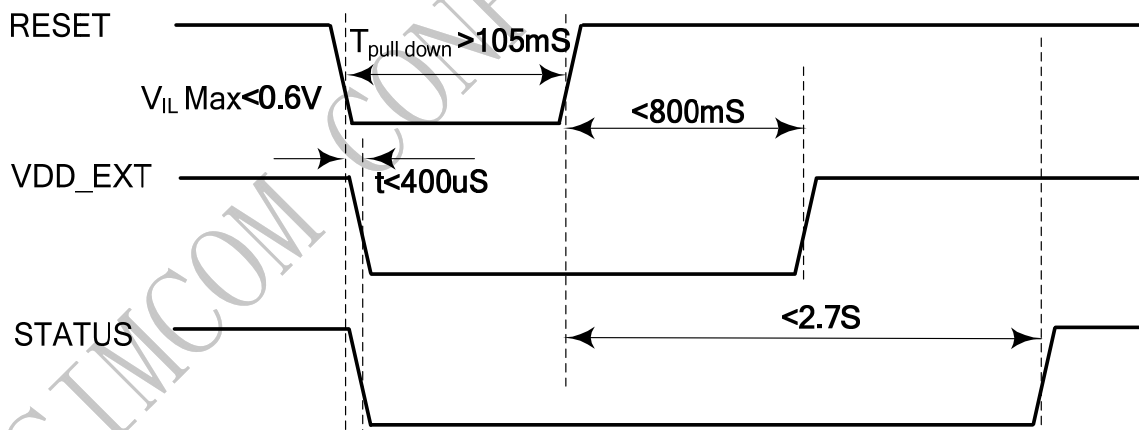


Figure 16: Reset timing sequence

4.3 Power Saving Mode

User can control SIM808 module to enter or exit the sleep mode (AT+CSCLK=1) by DTR signal. When DTR is in high level and without interrupt (on air and hardware such as GPIO interrupt or data in serial port), SIM808 will enter sleep mode automatically. In this mode, SIM808 can still receive paging or SMS from network but the serial port is not accessible.

Note: Customer must shut off the power supply of GPS, and then the AT commands about the power saving mode can be executed correctly, and the current consumption will be lower.

4.3.1 Function Mode

There are three functionality modes, which could be set by the AT command “AT+CFUN=<fun>”. The command provides the choice of the functionality levels <fun>=0, 1, 4.

- AT+CFUN=0: minimum functionality.
- AT+CFUN=1: full functionality (default).
- AT+CFUN=4: flight mode (disable RF function).

Table 8: The current consumption of function modes (BS-PA-MFRMS=5)

<Fun>	Current consumption(uA) (CSCLK=1)
0	869.5
1	1400
4	922.5

Minimum functionality mode minimizes the current consumption to the lowest level. If SIM808 is set to minimum functionality by “AT+CFUN=0”, the RF function and SIM card function will be disabled. In this case, the serial port is still accessible, but all AT commands correlative with RF function and SIM card function will not be accessible.

For detailed information about the AT Command “AT+CFUN=<fun>”, please refer to *document [1]*.

4.3.2 Sleep Mode (AT+CSCLK=1)

When the GPS function is shut off, user can control SIM808 module to enter or exit the sleep mode (AT+CSCLK=1) by DTR signal. When DTR is in high level and without interrupt (on air and hardware such as GPIO interrupt or data in serial port), SIM808 will enter sleep mode automatically. In this mode, SIM808 can still receive paging or SMS from network but the serial port is not accessible.

Note: For SIM808, it requests to set AT command “AT+CSCLK=1” and ensure DTR at high level to enable the sleep mode ; the default value is 0, which can not make the module to enter sleep mode. For more details please refer to document [1].

4.3.3 Wake Up SIM808 from Sleep Mode (AT+CSCLK=1)

When SIM808 is in sleep mode (AT+CSCLK=1), the following methods can wake up the module:

- Pull down DTR pin.
The serial port will be active after DTR pin is pulled to low level for about 50ms.
- Receive a voice or data call from network.
- Receive a SMS from network.
- Receive external interrupt
- Charge VBUS pin

4.4 Charging Interface

SIM808 has integrated a charging circuit inside the module for Li-Ion batteries charging control, which make it very convenient for user's applications that support battery charging. A common connection is shown in the following figure:

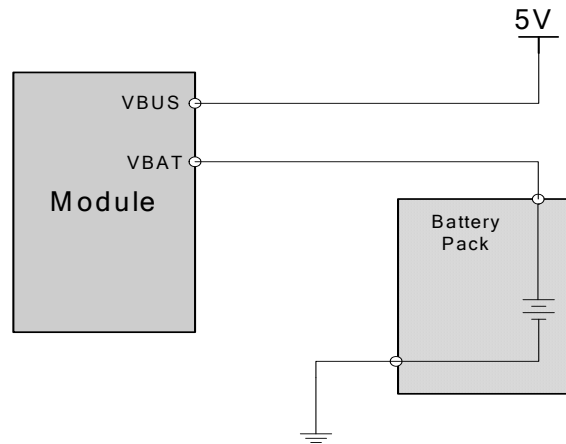


Figure 17: SIM808 with battery charger and pack connection

4.4.1 Battery Pack Characteristics

SIM808 has optimized the charging algorithm for the Li-Ion battery that meets the characteristics listed below.

- The maximum charging voltage of the Li-Ion battery pack is 4.2V and the recommended capacity is 1100mAh. The Battery packs with more than 1100 mAh capacity will take more time for charging.
- The battery pack should have a protection circuit to avoid overcharging, deep discharging and over-current, and the circuit should be insensitive to pulsed current.
- The internal resistance of the battery pack including protection circuit should be as low as possible. Its recommended value does not exceed 150mΩ.
- The battery pack must be protected from reverse pole connection.

On the SIM808, the build-in circuit of the power management chipset monitors the supply voltage constantly. Once the Under-voltage is detected, the SIM808 will be powered down automatically.

4.4.2 Recommended Battery Pack

Following is the specification of recommended battery pack:

Table 9: Specification of recommended battery pack

Items	Description
Battery type	Li-ion
Manufacturer	Jiade Energy Technology
Normal voltage	3.7V
Capacity	NORMAL 1100mAh
Charge Voltage	4.200±0.050V

Max Charge Current	1.0C
Charge Method	CC / CV (Constant Current / Constant Voltage)
Max Discharge Current	1.0C (for continuous discharging mode)
Discharge Cut-off Voltage	3.0V/ cell
Internal resistance	Initial \leq 150m Ω

4.4.3 Implemented Charging Technique

SIM808 has battery charging function, but default function is not support for charging, the customer should input AT command to enable charging function. There are two pins related to the battery charging function: there are VBUS, VBAT and pins. The VBUS Pin is driven by an external voltage (AC adapter or USB host), system can use this Pin to detect a charger supply and provide most charging current through SIM808 module to battery when charging is in fast charge state. VBAT pin gives charging current to external battery from SIM808 module.

It is very simple to implement charging function, user just needs to connect the charger to the VBUS Pin and connect the battery to the VBAT Pin.

SIM808 battery charging happens after detecting charger supply and the presence of battery. If there is no charger supply or no battery present, charging function will not be enabled.

Normally, there are three states in the whole charging procedure.

- DDLO charge (Pull-up mode) and UVLO charge (Pre-charge mode);
- Constant current mode (CC);
- Constant voltage mode and over-voltage protection(OV)

DDLO charge and UVLO charge:

DDLO is the state of battery when its voltage is under 2.2V. And UVLO means the battery voltage is less than 3.3V and more than 2.2V. The battery is not suitable for fast charging when its condition is DDLO or UVLO. The SIM808 provides a small constant current to the battery when the battery is between DDLO and UVLO. In DDLO charging state, SIM808 gives out pulse 70mA current to the battery. And in UVLO charging state, SIM808 provides about 200mA (AC<7V) or 70mA (USB mode) current to the battery.

DDLO charging terminates when the battery voltage reaches 2.2V. UVLO charging terminates when the battery voltage is up to 3.4V. Both DDLO and UVLO charge are controlled by the SIM808 hardware only.

Constant current mode (CC):

As the battery voltage is charged up and over 3.4V, the SIM808 will enter CC mode. The CC mode charging current can be set from 70 to 800mA by the software.

Constant voltage mode (CV) and over-voltage protection (OV):

As the battery is charged up and over 4.05V, the SIM808 will enter CV mode. While the batter voltage actually reaches 4.2V, the charging current is gradually decreased step by step until stop charging.

4.4.4 Operating Modes during Charging

The battery can be charged during various operating mode. That means that charging can be in progress while SIM808 is in Normal mode (SLEEP, IDLE, TALK, GPRS IDLE or GPRS DATA mode). In this case the voltage supply should be sufficient. Here Charging in Normal mode is named as Charge mode.

If the charger is connected to the module's VBUS Pin and the valid battery is connected to the VBAT Pin while SIM808 is in POWER DOWN mode, SIM808 will auto power up.

4.4.5 Charger Requirements

Following is the requirements of charger for SIM808:

- Simple transformer power plug
- Output voltage: 5.0V~7V
- Minimum supply current: 800mA
- A 10V peak voltage is allowed for maximum 1ms when charging current is switched off.
- A 1.6A peak current is allowed for maximum 1ms when charging current is switched on.

4.5 RTC Backup

Current input for RTC when the VBAT is not supplied for the system. Current output for backup battery when the VBAT power supply is in present and the backup battery is in low voltage state. The RTC power supply of module can be provided by an external capacitor or a battery (non-chargeable or rechargeable) through the VRTC. The following figures show various reference circuits for RTC back up.

- External capacitor for RTC

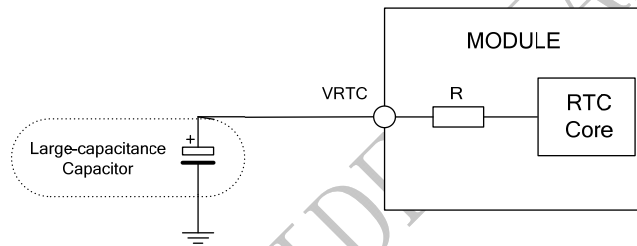


Figure 18: RTC supply from capacitor

- Non-chargeable battery for RTC

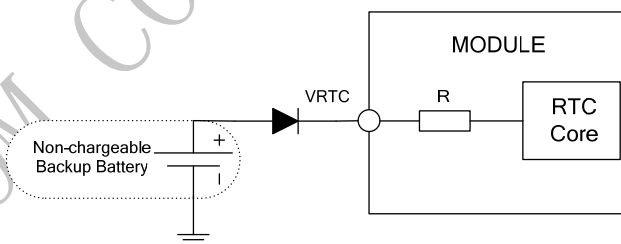


Figure 19: RTC supply from non-chargeable battery

- Rechargeable battery for RTC

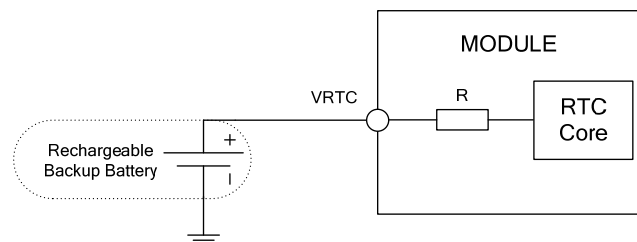


Figure 20: RTC supply from rechargeable battery

Coin-type rechargeable battery is recommended, such as XH414H-IV01E from Seiko can be used.

Typical charge-discharge curves for this battery are shown in the following figure.

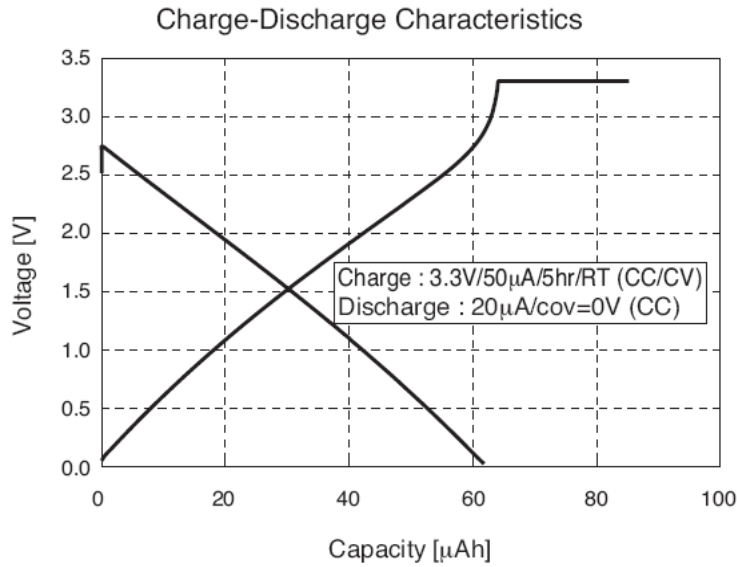


Figure 21: Seiko XH414H-IV01E charge-discharge characteristic

4.6 Serial Port and USB Interface

SIM808 provides one unbalanced asynchronous serial port. The module is designed as a DCE (Data Communication Equipment). The following figure shows the connection between module and client (DTE).

Table 10: Serial port and USB pin definition

	Name	Pin number	Function
Serial port	DTR	9	Data terminal ready
	RI	10	Ring indicator
	DCD	11	Data carrier detect
	CTS	12	Clear to send
	RTS	13	Request to send
	TXD	14	Transmit data
	RXD	15	Receive data
USB interface	VBUS	25	USB power supply
	USB_DP	26	USB data line plus
	USB_DM	27	USB data line minus

Note: Hardware flow control is disabled by default. The AT command “AT+IFC=2,2” can enable hardware flow control. The AT command “AT+IFC=0,0” can disable hardware flow control. For more details, please refer to document [1].

Table 11: Serial port characteristics

Symbol	Min	Max	Unit
V _{IL}	0	0.3	V
V _{IH}	2.5	2.8	V
V _{OL}	0	0.1	V
V _{OH}	2.7	2.8	V

4.6.1 Function of Serial Port

Serial port:

- Full modem device.
- Contains data lines TXD and RXD, hardware flow control lines RTS and CTS, status lines DTR, DCD and RI.
- Serial port can be used for CSD FAX, GPRS service and AT communication..
- Serial port supports the following baud rates:
1200, 2400, 4800, 9600, 19200, 38400, 57600 and 115200bps
- Autobauding only supports the following baud rates:
1200, 2400, 4800, 9600, 19200, 38400, 57600 and 115200bps
- The default setting is autobauding.

Autobauding allows SIM808 to automatically detect the baud rate of the host device. Pay more attention to the following requirements:

- **Synchronization between DTE and DCE:**

When DCE powers on with autobauding enabled, firstly, user must send character “A” or “a” to synchronize the baud rate. It is recommended to send “AT” until DTE receives the “OK” response, which means DTE and DCE are correctly synchronized. For more information please refer to the AT command “AT+IPR”.

- **Restrictions of autobauding operation:**

The DTE serial port must be set at 8 data bits, no parity and 1 stop bit.

The URC such as "RDY", "+CFUN: 1" and "+CPIN: READY" will not be reported.

Note: User can use AT command “AT+IPR=x” to set a fixed baud rate and the setting will be saved to non-volatile flash memory automatically. After the configuration is set as fixed baud rate, the URC such as "RDY", "+CFUN: 1" and "+CPIN: READY" will be reported when SIM808 is powered on.

4.6.2 Serial Port

The following figure shows the connection between module and client (DTE).

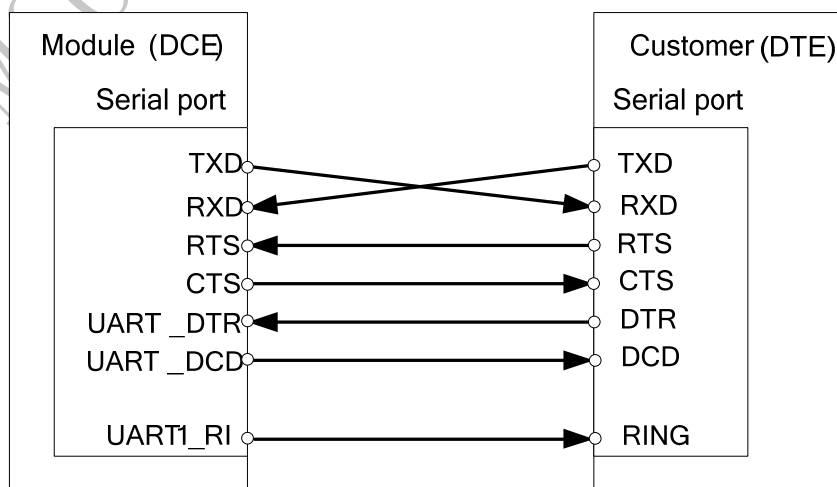


Figure 22: Connection of the serial port

If the voltage of UART is 3.3V, the following reference circuits are recommended. If the voltage is 3.0V, please

change the resistors in the following figure from 5.6K to 14K.

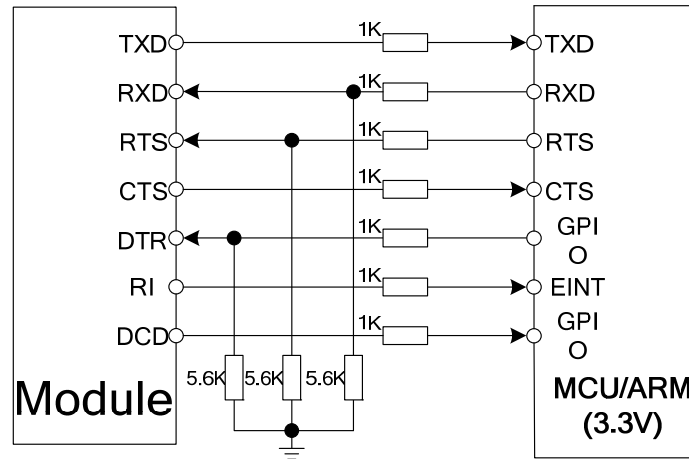


Figure 23: Level converting by resistor

If the voltage of UART is 3V or 3.3V, user also can use following reference circuits:

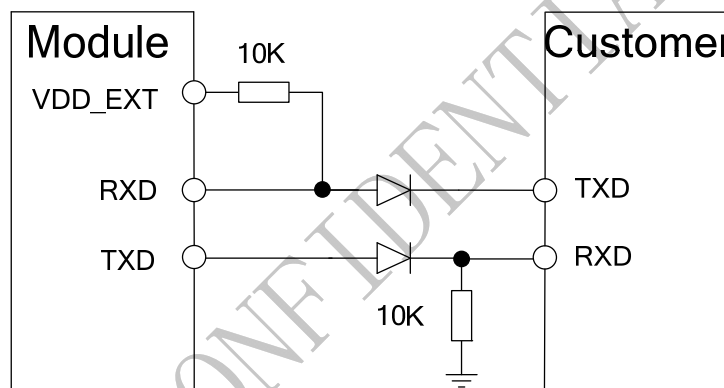


Figure 24: Isolation circuit by diodes

Note: when a diode used to isolate voltage cross, customer should notice that there's voltage drop on the diode. And the signal's voltage level should meet the customer's electrical character. The recommend diode is Schottky diode e.g. RB551V-30TE-17 and SDM20U40.

If the voltage of UART is 5V on customer side, customer can use the following reference circuits :

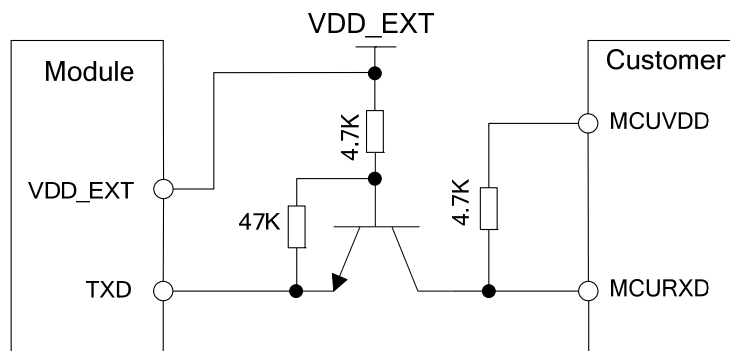


Figure 25: TX level converting by transistor

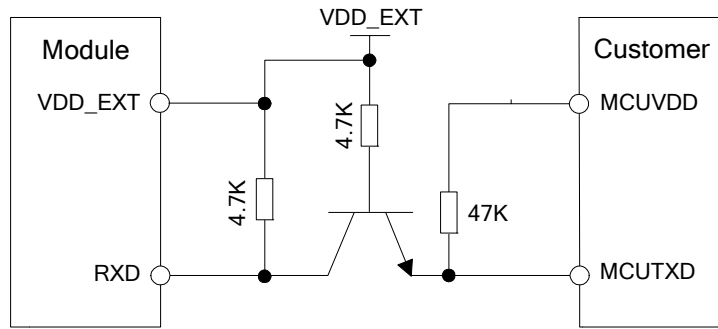


Figure 26: RX level converting by transistor

Note: The recommend Transistors' part numbers are 2SC4617TLR and PBHV8115Z. when update firmware via the TXD/RXD circuit as figure 25 and figure 26 shows, customer should make sure the VDD_EXT has voltage output, or a external LDO should be added to power VDD_EXT.

4.6.3 USB Interface

USB interface supports software debug function. When power on the module, connect VBUS, USB_DP, USB_DM and GND to PC, then install the driver successfully, a UART port could be recognized by the PC, customer could achieve the software Debug purpose with this UART port.

The following diagram is recommended:

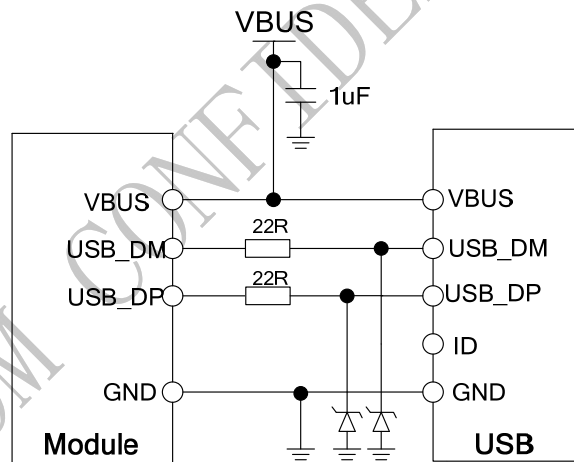


Figure 27: USB reference circuit

The maximum allowable cap load of TVS on USB data line should be less than 5pF (e.g. ESD9L5.0ST5G and ESD9M5.0ST5G). The USB_DP and USB_DM should be routed in differential traces.

Note: please reserve the USB interface or test point for debug.

Table 12: Serial port characteristics

Pin	Min	Typ	Max	Unit
VBUS	4.3	5	7	V

4.6.4 Software Upgrade and Debug

Only USB and interface can be used for firmware upgrade.

If customer upgrading firmware via the USB port, SIM808 must be powered first, then connect VBUS, USB_DP, USB_DM and GND to PC. There is no need to operate PWRKEY pin in the whole procedure, when SIM808 detects VBUS and could communicate normally by USB_DP and USB_DM, module will enter USB download mode automatically.

Note: When only USB_DP and USB_DM connected, no VBUS, customer need to pull down COL0 before power on the module, then press the PWRKEY button, the module will enter download mode;

The serial port and the debug port support the CMOS level. If user connects the module to the computer, the level shifter should be added between the DCE and DTE.

For details about software upgrading, please refer to *document [4]*.

4.7 RI Behaviors

Table 13: RI Behaviors

State	RI response
Standby	High
Voice call	The pin is changed to low. When any of the following events occur, the pin will be changed to high: (1)Establish the call (2)Hang up the call
Data call	The pin is changed to low. When any of the following events occur, the pin will be changed to high: (1)Establish the call (2)Hang up the call
SMS	The pin is changed to low, and kept low for 120ms when a SMS is received. Then it is changed to high.
URC	The pin is changed to low, and kept low for 120ms when some URCs are reported. Then it is changed to high. For more details, please refer to <i>document [10]</i> .

The behavior of the RI pin is shown in the following figure when the module is used as a receiver.

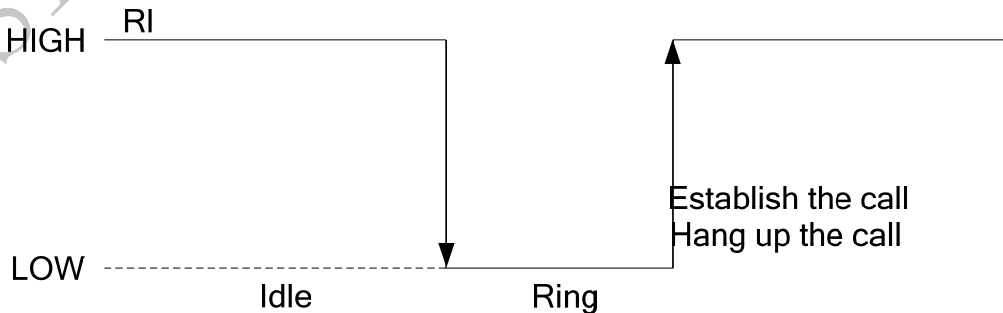


Figure 28: RI behaviour of voice calling as a receiver

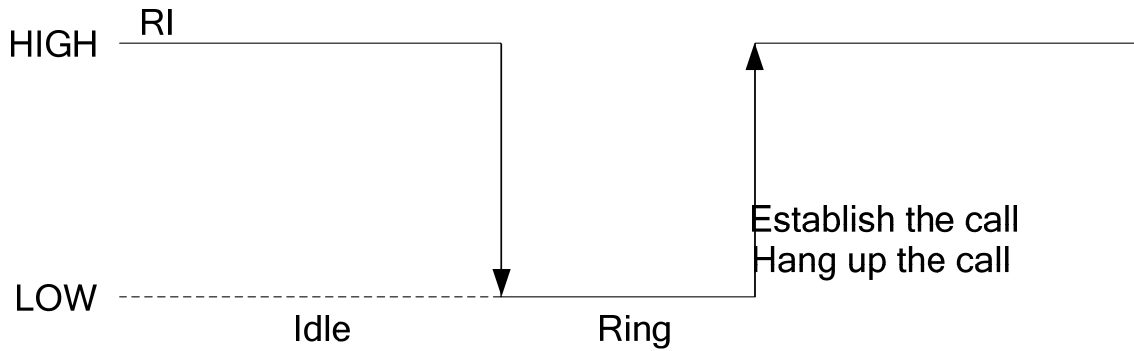


Figure 29: RI behaviour of data calling as a receiver

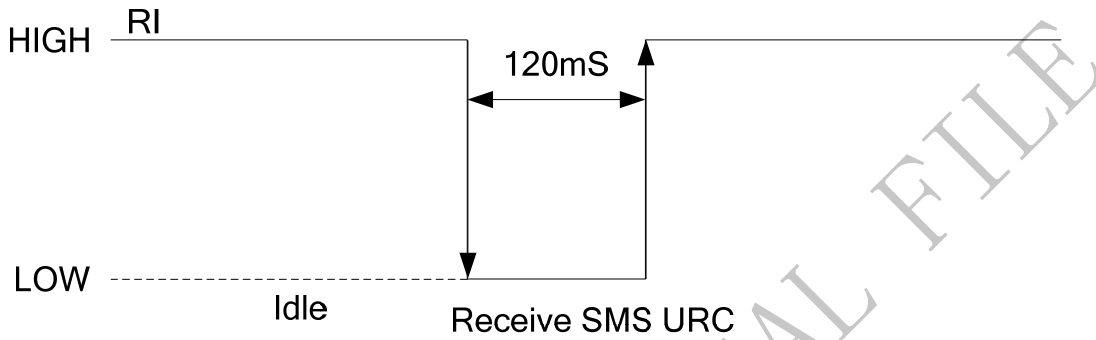


Figure 30: RI behaviour of URC or receive SMS

However, if the module is used as caller, the RI will remain high. Please refer to the following figure.

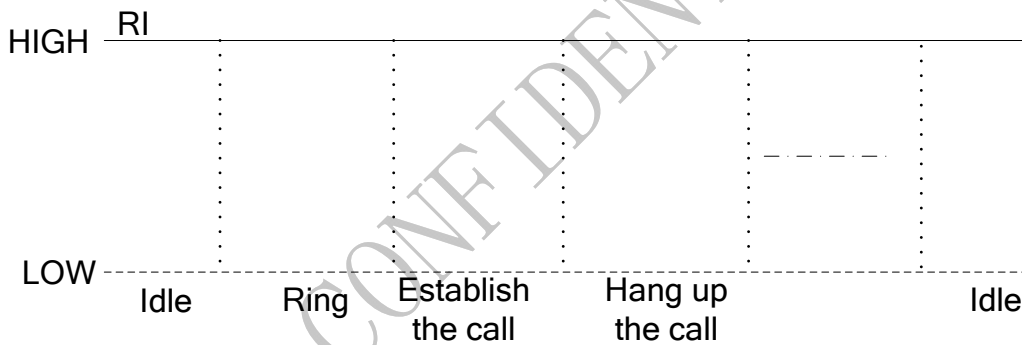


Figure 31: RI behaviour as a caller

4.8 Audio Interfaces

SIM808 provides one analog input, which could be used for electret microphone. The module also provides one analog output. The output can directly drive 32Ω receiver.

Table 14: Audio interface definition

	Pin name	Pin number	Function
Audio channel	MIC1P	19	Main Audio input positive
	MIC1N	20	Main Audio input negative
	SPK1P	21	Main Audio output positive
	SPK1N	22	Main Audio output negative

“AT+CMIC” is used to adjust the input gain level of microphone. “AT+SIDET” is used to set the side-tone level. In addition, “AT+CLVL” is used to adjust the output gain level. For more details, please refer to document [1]

In order to improve audio performance, the following reference circuits are recommended. The audio signals have to be layout according to differential signal layout rules as shown in following figures.

4.8.1 Speaker Interface Configuration

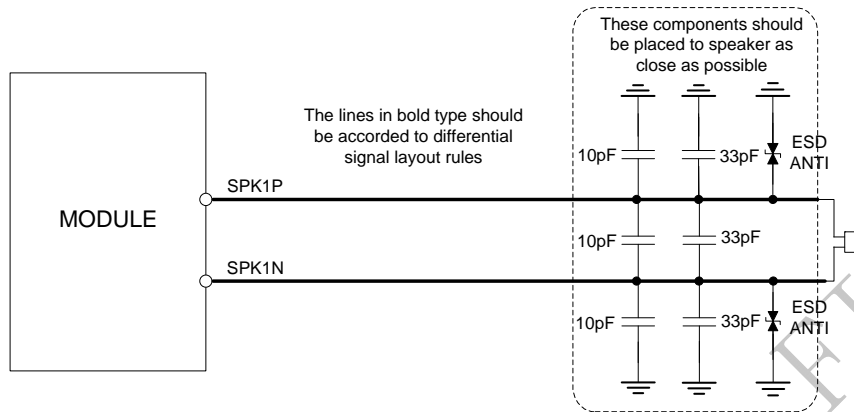


Figure 32: Speaker reference circuit

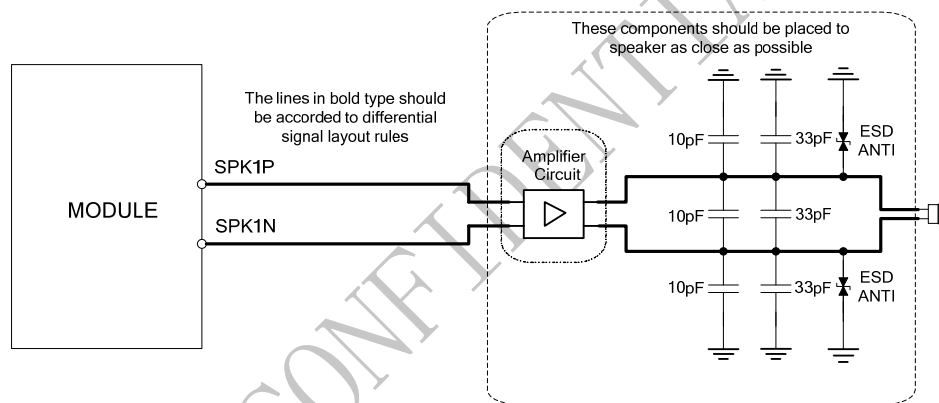


Figure 33: Speaker with amplifier reference circuit

4.8.2 Microphone Interfaces Configuration

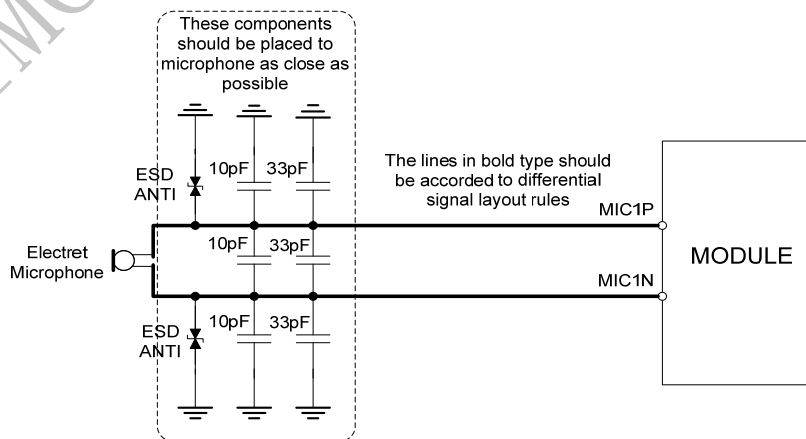


Figure 34 : Microphone reference circuit

4.8.3 Audio Electronic Characteristics

Table 15: Microphone input characteristics

Parameter	Min	Typ	Max	Unit
Mic biasing voltage		1.9	2.2	V
Working Current			2	mA
Input impedance(differential)	13	20	27	K Ω
Idle channel noise			-67	dBm
SINAD	Input level:-40dBm0	29		dB
	Input level:0dBm0		69	dB

Table 16: Audio output characteristics

parameter	Conditions	Min	Typ	Max	Unit
Normal output	$R_L=32\ \Omega$ receiver	-	90	-	mW

4.8.4 TDD

GSM signal could interfere audio by coupling or conducting. Coupling noise could be filtered by adding 33 pF and 10pF capacitor over audio lines. 33pF capacitor could eliminate noise from GSM900MHz, while 10pF capacitor could eliminate noise from DCS1800MHz frequency. Coupling noise has great relatives with PCB layout. Under some scenarios, TDD noise from GSM 900MHz frequency affects heavily, but some different story is from GSM1800MHz frequency, so customer should develop this filter solution according to field test result.

GSM antenna is the key coupling interfering source of TDD noise. Pay attention to the layout of audio lines which should be far away from RF cable & antenna and VBAT pin. The bypass capacitor for filtering should be placed near module and another group placed near to connector.

Conducting noise is mainly caused by the VBAT drop. If Audio PA was powered by VBAT directly, then there will be some cheep noise from SPK output easily. So, it's better to put big capacitor and ferrite bead near audio PA input.

TDD noise has something to do with GND signal surely. If GND signal issued not good, lots of high-frequency noise will interfere MIC and speaker over bypass capacitor. So, take care of GND well during PCB layout.

4.9 Bluetooth

SIM808 supports Bluetooth function, customer only needs to design the Bluetooth antenna, and then customer can operate Bluetooth conveniently by AT commands. For the detail commands about Bluetooth please refer to *document [1]*

- Fully compliant with Bluetooth specification 3.0 + EDR
- Support operation with GPS and GSM/GPRS worldwide radio systems
- Fully integrated PA provides 10dbm output power
- Up to 4 simultaneous active ACL links
- Support sniff mode

Support PCM interface and built-in programmable transcoders for liner voice with transmission.

4.9.1 Bluetooth Antenna Interface

The module provides a Bluetooth antenna interface named ANT_BT. External antenna must be matched properly to achieve best performance, so the matching circuit is necessary, the connection is recommended as the following figure:

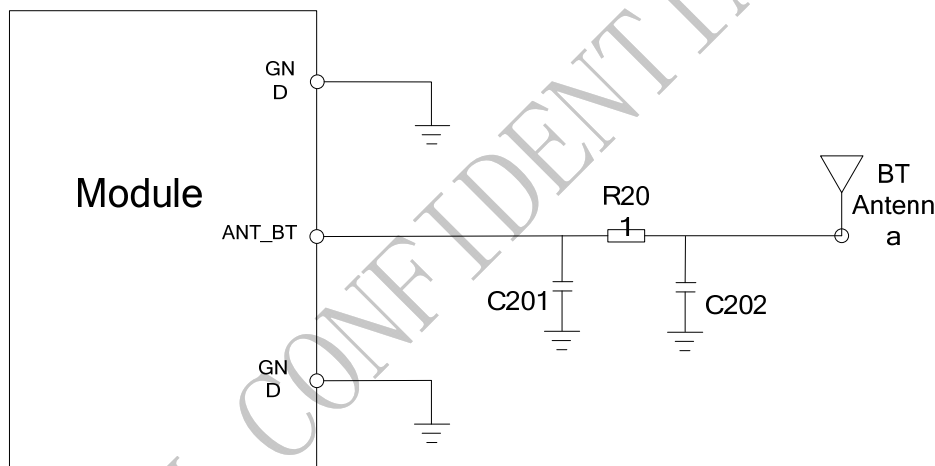


Figure 35: Bluetooth antenna matching circuit

R201, C201, C202 are the matching circuit, the values depend on antenna debug result. Normally R201 is 0Ω, C201 and C202 are not mounted.

4.10 SIM Card Interface

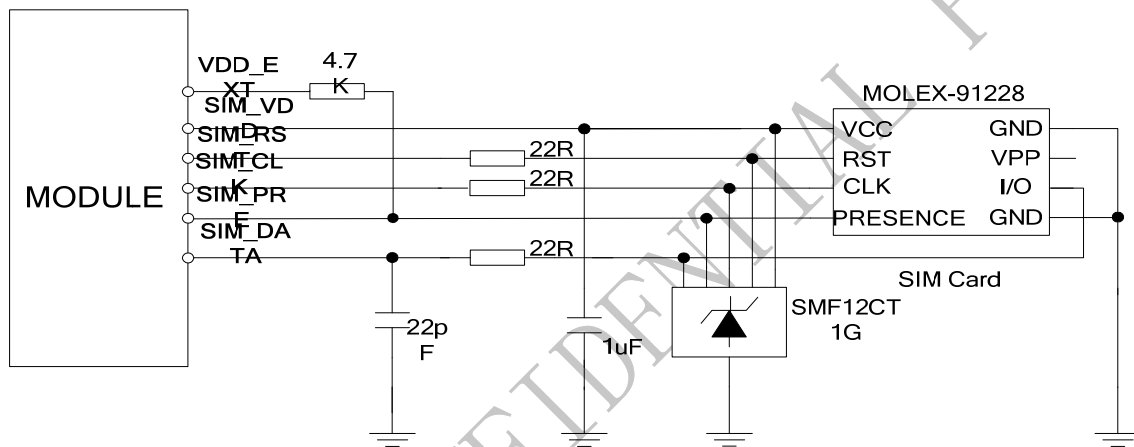
The SIM interface complies with the GSM Phase 1 specification and the new GSM Phase 2+ specification for FAST 64 kbps SIM card. Both 1.8V and 3.0V SIM card are supported. The SIM interface is powered from an internal regulator in the module.

4.10.1 SIM Card Application

Table 17: SIM pin definition

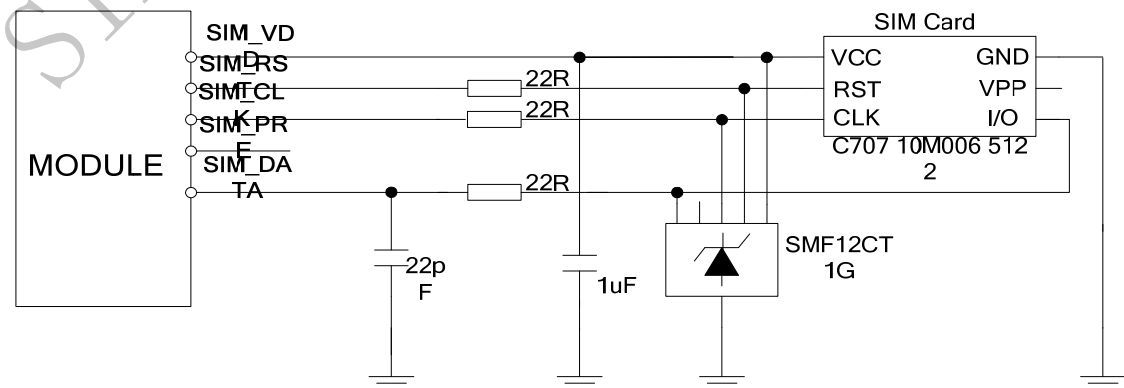
Name	Pin	function
SIM_VDD	29	Voltage supply for SIM card. Support 1.8V or 3V SIM card
SIM_DATA	30	SIM data input/output
SIM_CLK	31	SIM clock
SIM_RST	32	SIM reset
SIM_PRE	33	SIM card detection

It is recommended to use an ESD protection component such as ON (<http://onsemi.com>) SMF12CT1G. Note that the SIM peripheral circuit should be close to the SIM card socket. The reference circuit of the 8-pin SIM card holder is illustrated in the following figure.


Figure 36: Reference circuit of the 8-pin SIM card holder

The SIM_PRESENCE pin is used for detection of the SIM card hot plug in. User can select the 8-pin SIM card holder to implement SIM card detection function. AT command “AT+CSDT” is used to enable or disable SIM card detection function. For details of this AT command, please refer to *document [1]*.

If the SIM card detection function is not used, user can keep the SIM_PRESENCE pin open. The reference circuit of 6-pin SIM card holder is illustrated in the following figure.


Figure 37: Reference circuit of the 6-pin SIM card holder

4.10.2 SIM Card Design Consideration

SIM card circuit is susceptible to interference, causing the SIM card failures or some other situations, so it is strongly recommended to follow these guidelines while designing:

- Make sure that SIM card holder should far away from GSM antenna while in PCB layout.
- SIM traces should keep away from RF lines, VBAT and high-speed signal lines.
- The traces should be as short as possible.
- Keep SIM holder's GND connect to main ground directly.
- Shielding the SIM card signal by ground well.
- Recommended to place a 1uF capacitor on VSIM line and keep close to the holder.

Add some TVS and the parasitic capacitance should not exceed 50pF, and 22Ω resistor in serials the SIM signal could enhance ESD protection.

4.10.3 Design Considerations for SIM Card Holder

For 8 pins SIM card holder, SIMCom recommends to use Molex 91228. User can visit <http://www.molex.com> for more information about the holder.

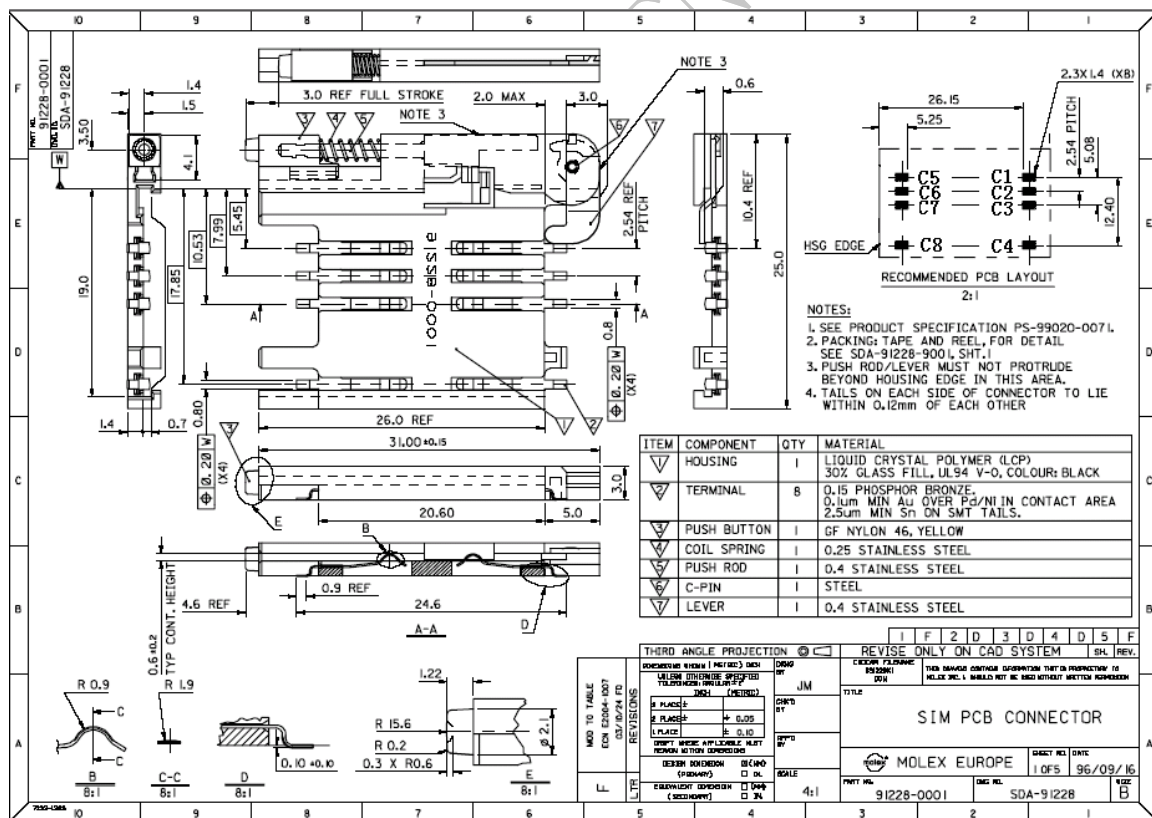


Figure 38: Molex 91228 SIM card holder

Table 18: Pin description (Molex SIM card holder)

Pin name	Signal	Description
C1	SIM_VDD	SIM card power supply
C2	SIM_RST	SIM card reset
C3	SIM_CLK	SIM card clock
C3	GND	Connect to GND
C5	GND	Connect to GND
C6	VPP	Not connect
C7	SIM_DATA	SIM card data I/O
C8	SIM_PRE	Detect SIM card presence

For 6-pin SIM card holder, SIMCom recommends to use Amphenol C707 10M006 5122 .User can visit <http://www.amphenol.com> for more information about the holder.

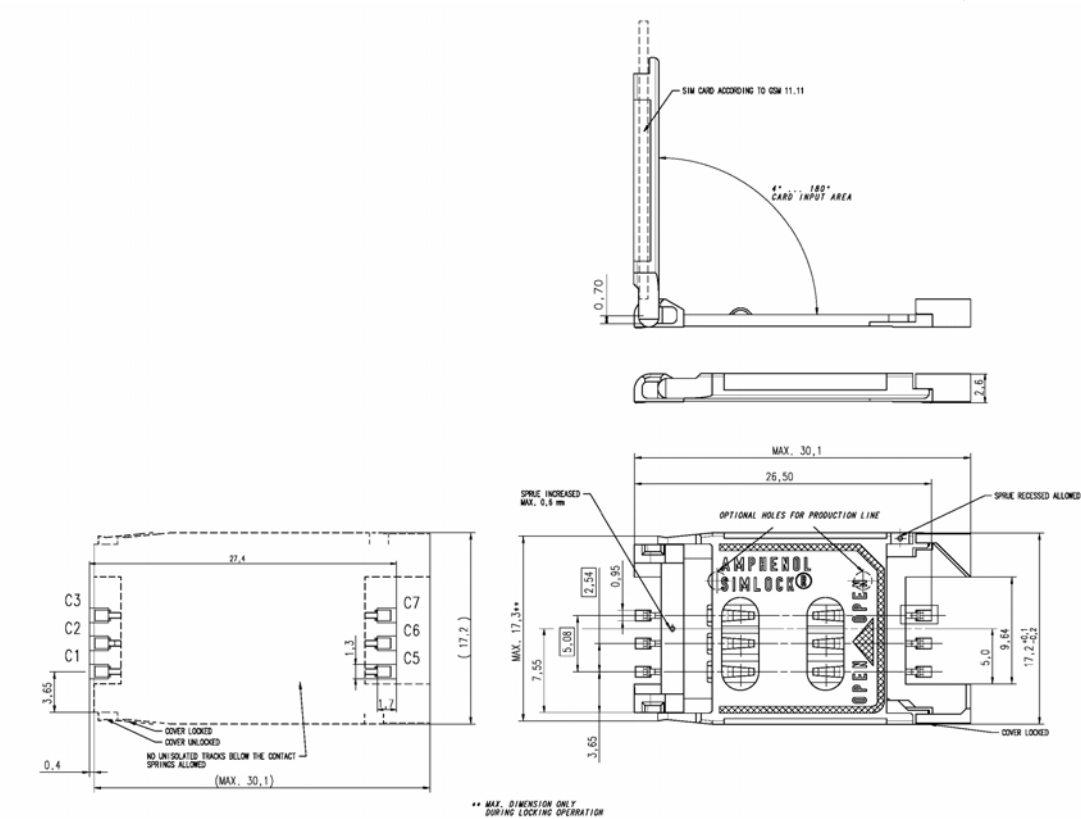


Figure 39: Amphenol C707 10M006 5122 SIM card holder

Table 19: Pin description (Amphenol SIM card holder)

Pin name	Signal	Description
C1	VSIM	SIM card power supply
C2	SIM_RST	SIM card reset
C3	SIM_CLK	SIM card clock
C5	GND	Connect to GND
C6	VPP	Not connect
C7	SIM_DATA	SIM card data I/O

4.11 PCM Interface

SIM808 provides PCM interface.

Table 20: PCM pin definition

Pin name	Pin number	Description
PCM_OUT	48	PCM data output
PCM_IN	47	PCM data input
PCM_SYNC	45	PCM synchrony
PCM_CLK	46	PCM clock

SIM808 PCM interface only supports master mode, data length is 16 bits (linear), and PCM clock rate is 256 KHz.

Table 21: PCM pin specification

Feature	specification
Line Interface Format	Linear(Fixed)
Data length	16bits(Fixed)
PCM Clock/Sync Source	Master Mode(Fixed)
PCM Clock Rate	256Khz(Fixed)
PCM Sync Format	Short sync/Long sync both support
Zero Padding/Sign extension	Default Zero Padding
Data Ordering	MSB/LSB both support

Note: User can use AT command control PCM interface, for details please refer to document [1].

4.11.1 PCM Multiplex Function

With GPIO5 and GPIO6, PCM interface can be configured as SPI or SD interface, the following table shows the detailed multiplex function.

Table 22: PCM Multiplex Function

Name	Pin number	Mode 0(default)	Mode 1	Mode 2	Mode 3
PCM_OUT	48	PCM_OUT	GPIO10	MC3DA3	/
PCM_IN	47	PCM_IN	DISP_DATA	MC3DA2	GPIO9
PCM_SYNC	45	PCM_SYNC	DISP_CS	MC3CK	GPIO7
PCM_CLK	46	PCM_CLK	GPIO8	MC3CM0	GPIO8
GPIO6	44	GPIO6	DISP_CLK	MC3DA1	/
GPIO5	43	GPIO5	DISP_D/C	MC3DA0	/

Note: Multiplex Function need different software version.

4.11.2 PCM Interface

Refer to the following figure for PCM design:

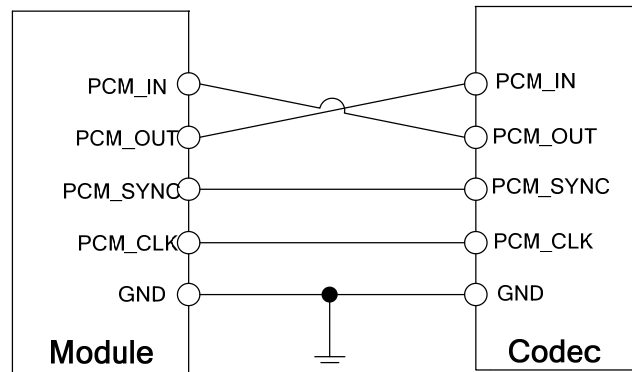


Figure 40: PCM reference circuit

4.11.3 LCD Display/SPI Interface

SIM808 provides a serial interface. It could be used as SPI interface in the embedded AT application. For details about embedded AT application, please refer to *document [1]*.

Refer to the following figure for SPI design:

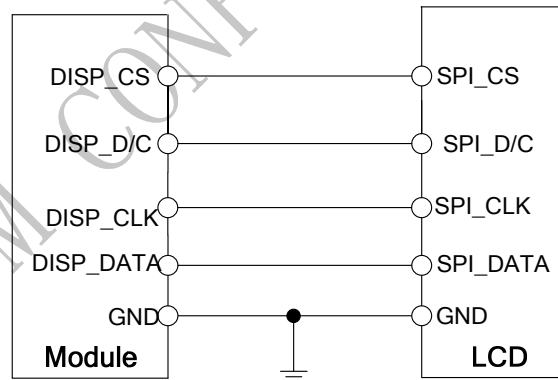


Figure 41: LCD reference circuit

Note: This function is not supported in the standard firmware. If user wants this function, the firmware must be customized. Please contact SIMCom for more details.

4.11.4 SD Card Interface

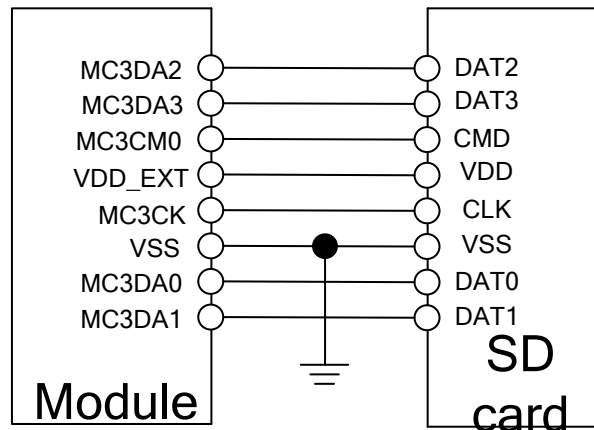


Figure 42: SD reference circuit

If the VDD of SD card is 2.8V, user can use VDD_EXT power the SD card directly. If the VDD is 3.3V, customer should design the power circuit external.

4.12 Keypad Interface

SIM808 consists of 4 keypad column outputs and 4 keypad row inputs, and it can support two kinds of connections, the traditional 4*4 keypad matrix and the extended 4*4*2 keypad matrix.

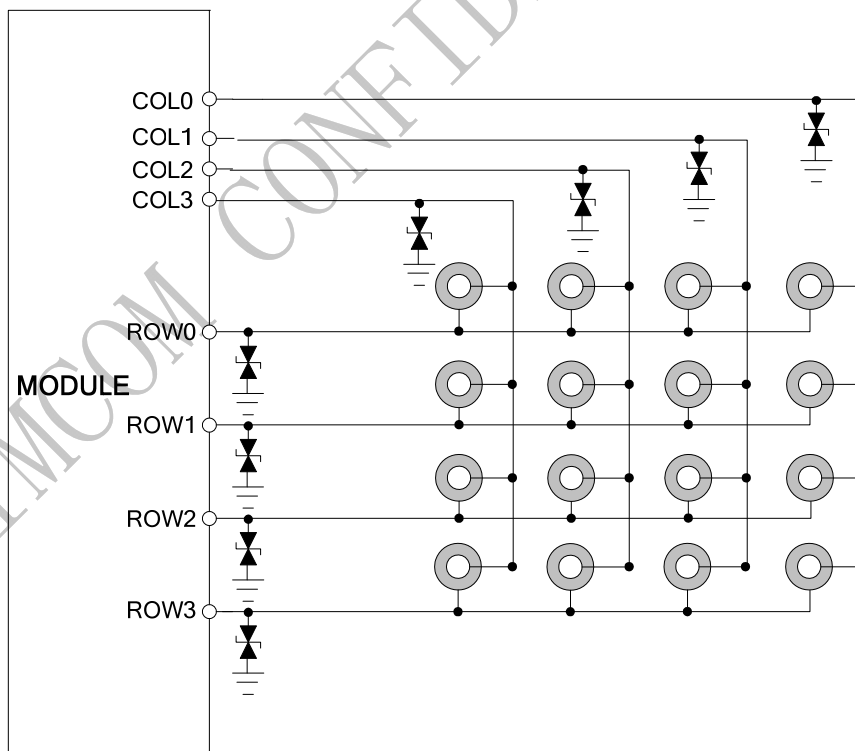


Figure 43: Traditional keypad reference circuit

*Note:1、 According to the traditional 4*4 keypad matrix, when there are unused COLs or ROWs, user can execute AT command to define unused COLs and ROWs as GPIO, for details please see the document [1].*

2、 Press COL0 and ROW0 or pull down COL0 when power-on(PWRKEY, Charging, RTC alarm), power sequence is USB Download.

Module supports a new keypad connection, it can support 4*4*2 amount 32 keypads, meet full keyboard demand, and the connection diagram is as follow:

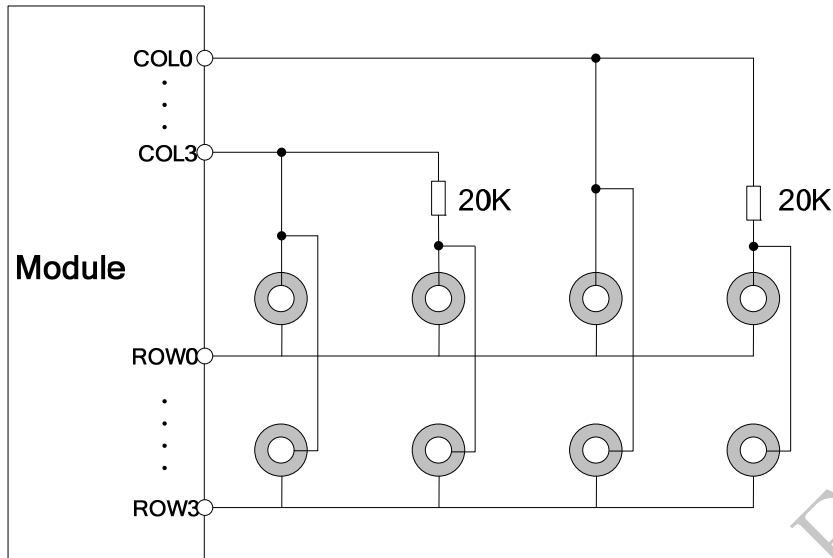


Figure 44: Extended keypad reference circuit

Note: Do not change the 20KΩ resistor in the diagram.

Customer should add a resistor to enhance the ESD performance and the value of resistor should be less than 1KΩ, the connection diagram is shown in follow figure as an example.

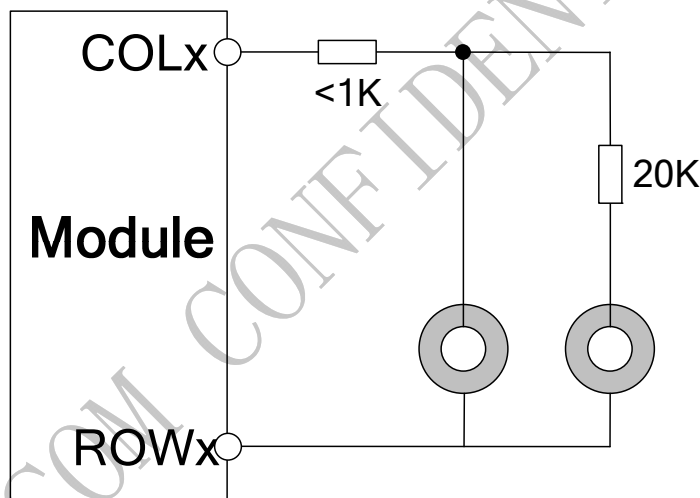


Figure 45: Enhance the ESD performance of keypad circuit

Module can detect two buttons pressed synchronously at both the traditional and extended keypad connection, but customer should notice that, do not assign keys which will be pressed at the same time on same COL and ROW when implement the extended keypad design. The following figure is an example to explain this situation, “CTRL” and “A” can not be recognized if the two buttons were pressed at the same time.

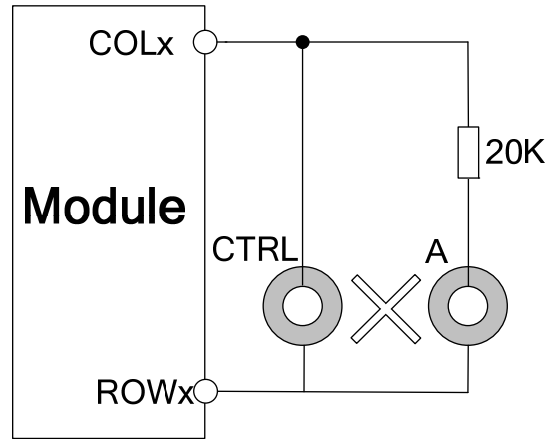


Figure 46: Keypad detected

Table 23: Pin definition of the keypad interface

Name	Pin	Function	Default state
COL0	62	Keypad matrix column	Pull up
COL1	61		Pull down
COL2	60		Pull down
COL3	59		Pull down
ROW0	58	Keypad matrix row	Pull down
ROW1	57		Pull down
ROW2	56		Pull down
ROW3	55		Pull down

Table 24: Keypad multiplex function

Pin name	Pin number	Mode 0(default)	Mode 1
COL0	62	COL0	GPIO18
COL1	61	COL1	GPIO17
COL2	60	COL2	GPIO16
COL3	59	COL3	GPIO15
ROW0	58	ROW0	GPIO14
ROW1	57	ROW1	GPIO13
ROW2	56	ROW2	GPIO12
ROW3	55	ROW3	GPIO11

Note: Multiplex Function need different software version .

4.13 I2C BUS

The SIM808 provides an I2C interface, it can be driven by either the master or slave and conform to the I2C specification. It has the following features:

- Compliant master mode operation

- Adjustable clock speed for LS/FS mode operation
- Support 7-bit/10-bit addressing
- Support high speed mode
- Support slave clock extension
- START/STOP/REPEATED condition
- Manual transfer mode
- Multi-write per transfer (up to 8 data bytes for non-DMA mode)
- Multi-read per transfer (up to 8 data bytes for non-DMA mode)
- Multi-transfer per transaction
- Combined format transfer with length change capability

Active drive/write-and I/O configuration

Table 25: Pin definition of the I2C

Pin name	Pin number	Description
SCL	39	I2C serial bus clock
SDA	38	I2C serial bus data

Note: I2C has been pulled up to 2.8V via 4.7KΩ.

Table 26: I2C multiplex function

Pin name	Pin number	Mode 0(default)	Mode 1
SCL	39	SCL	GPIO2
SDA	38	SDA	GPIO1

4.13.1 General Purpose Input/Output (GPIO)

SIM808 provides 2 GPIO pins. The output voltage level of the GPIO can be set by the AT command “AT+SGPIO”. The input voltage level of the GPIO can also be read by the AT command “AT+SGPIO”. For more details, please refer to *document [1]*.

Table 27: Pin definition of the GPIO

Pin name	Pin number	Reset state
GPIO6	44	Pull down
GPIO5	43	Pull down

4.14 ADC

Table 28: Pin definition of the ADC

Pin name	Pin number	Description
ADC1	23	Analog to Digital Converter
ADC2	24	Analog to Digital Converter

SIM808 provides two auxiliary ADC, which can be used to measure the voltage. User can use AT command

“AT+CADC” to read the voltage value. For details of this AT command, please refer to *document [1]*.

Table 29: ADC specification

Parameter	Min	Typ	Max	Unit
Voltage range	0	-	2.8	V
ADC Resolution	-	10	-	bits
Sampling rate	-	-	1.0833	MHz
ADC precision		10	20	mV

Note: the voltage should less than 2.8V, or the ADC may be damaged.

4.15 PWM

Table 30: Pin definition of the PWM

Pin name	Pin number	Description
PWM1	42	PWM1, multiplex with GPIO4
PWM2	41	PWM2, multiplex with GPIO3

Note: SIM808 can only support 1 PWM synchronously, if customer set PIN 42 as PWM, so PIN41 can only be used as GPIO.

PWM output frequency varies from 0 to 2KHz. Two 7-bit unsigned binary parameters are used for the output period and for the duty cycle. The AT command “AT + SPWM” is used to set the output period and duty cycle of the PWM. For details, please refer to *document [1]*.

A typical circuit of the PWM drives buzzer is shown in the following figure:

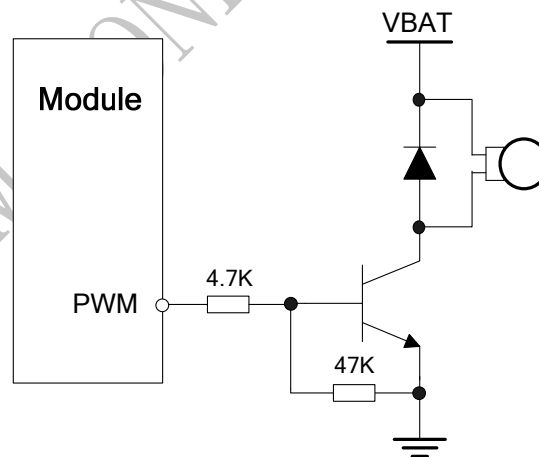


Figure 47: Reference circuit of PWM drive buzzer

Table 31: Buzzer output characteristics

Parameter	Min	Typ	Max	Unit
Working voltage	2.5	2.8	2.9	V
Working current			16	mA

Note: PWM pin must keep low when module in the boot process.

Table 32: PWM multiplex function

Pin name	Pin number	Mode 0(default)	Mode 1
PWM1	42	PWM1	GPIO4
PWM2	41	GPIO3	PWM2

4.16 Network Status Indication

Table 33: Pin definition of the NETLIGHT

Pin name	Pin number	Description
NETLIGHT	50	Network Status Indication

The NETLIGHT pin can be used to drive a network status indication LED. The status of this pin is listed in following table:

Table 34: Status of the NETLIGHT pin

Status	SIM808 behavior
Off	SIM808 is not running
64ms On/ 800ms Off	SIM808 not registered the network
64ms On/ 3000ms Off	SIM808 registered to the network
64ms On/ 300ms Off	PPP GPRS communication is established

A reference circuit is recommended in the following figure:

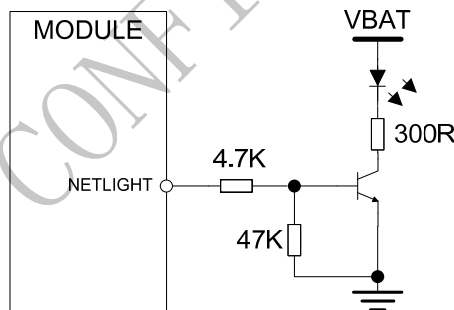


Figure 48: Reference circuit of NETLIGHT

4.17 Operating Status Indication

The STATUS pin indicates the operating status of module. The pin output high when module power on, output is low when module powered off.

Table 35: Pin definition of the STATUS

Pin name	Pin number	Description
STATUS	49	Operating status indication

4.18 RF Synchronization Signal

The synchronization signal serves to indicate growing power consumption during the transmit burst.

Table 36: Definition of the RF_SYNC pin

Pin name	Pin number	Description
RF_SYNC	63	Transmit synchronization signal

Note: Do not pull up RF_SYNC.

The timing of the synchronization signal is shown in the following figure. High level of the RF_SYNC signal indicates increased power consumption during transmission.

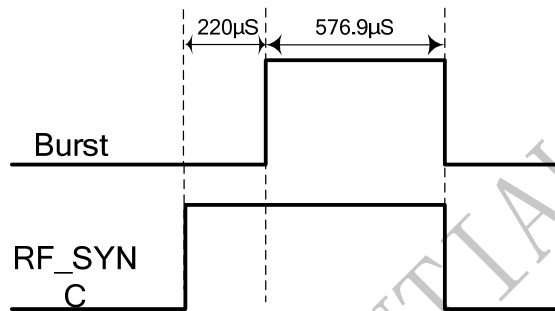


Figure 49: RF_SYNC signal during transmit burst

4.19 GSM antenna Interface

GSM antenna port is named RF_ANT. The impedance should be 50Ω. VSWR should be less than 2. It is recommended that GSM antenna and Bluetooth antenna be placed as far as better to keep the isolations more than 30dB.

The customer’s GSM antenna also can be located in the customer’s main board and connect to module’s GSM_ANT pad through microstrip line or other type RF trace which impedance must be controlled in 50Ω. To facilitate the antenna tuning and certification test, a RF connector and an antenna matching circuit should be added. The following figure is the recommended circuit.

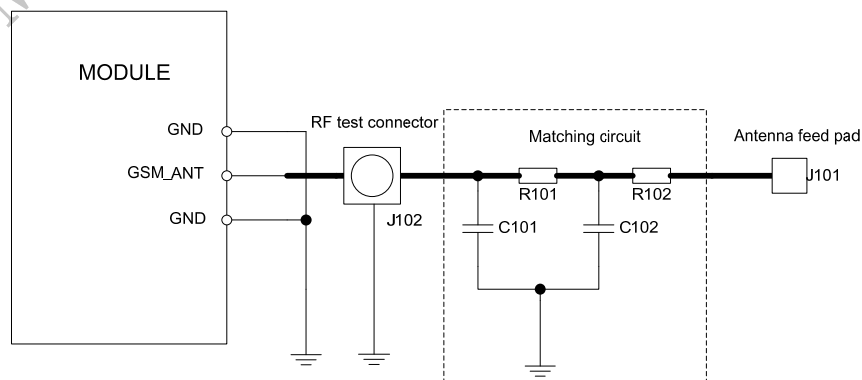


Figure 50: GSM antenna matching circuit

In this figure, the components R101,R102,C101 and C102 is used for antenna matching, the components’ value

only can be got after the antenna tuning. Usually, matching components' value is provided by antenna vendor, the default value of R101 and R102 are 0Ω, and reserve the place of C101 and C102 without soldering.

The RF test connector in Figure 50 is used for conducted RF performance test, and should be placed as close as possible to the module's RF_ANT pad. The traces in bold type should be treated as 50Ω impedance controlled line in PCB layout. For details about radio frequency trace layout, please refer to *document [9]*.

5 GPS Application Interface

SIM808 provide a high-performance L1 GPS solution for cellular handset applications. The solution offers best-in-class acquisition and tracking sensitivity, Time-To-First-Fix (TTFF) and accuracy. The GPS engine supports both fully-autonomous operations for use in handheld consumer navigation devices and other standalone navigation systems.

The module supports GPS, QZSS, SBAS ranging (WAAS, EGNOS, GAGAN, MSAS).

The GPS NMEA information is output by serial port. The default baud rate is 115200bps.

The GPS engine is controlled by GSM engine, so when it is necessary to run GPS, the GSM engine must be powered on and not in SLEEP mode.

All the GPS function is controlled by AT command via serial port. The GPS functions of AT commands are listed in the following table.

Table 37: AT Commands for GPS function

Command	Description
AT+CGPSPWR	GPS power control
AT+CGPSRST	GPS mode reset (hot/warm/cold)
AT+CGPSSTATUS	Get current GPS status
AT+CGPSOUT	GPS NMEA data output control
AT+CGPSINF	Get current GPS location info
AT+CGPSIPR	Set GPS NMEA output UART bps

For details of these AT command, please refer to *document [1]*.

5.1 GPS Operating Modes

GPS has two operating modes which can be controlled by AT command.

Active mode: GPS is active as a GPS receiver. The GPS engine will automatically acquire and track GPS satellites.

Power down mode: The GPS engine will be set into this mode by sending AT command "AT+CGPSPWR=0". In this mode the internal power supply for GPS will be shutdown, and the current consumption is very low. The last position, current time and ephemeris data will be stored in the GSM host memory.

5.2 GPS Power on/down Scenarios

5.2.1 Power on GPS engine

User can power on GPS engine by sending AT command “AT+CGPSPWR=1”.

5.2.2 Power down GPS engine

User can power down GPS engine by sending AT command “AT+CGPSPWR=0”.

5.3 GPS Antenna Interface

5.3.1 GPS Antenna Interface

The customer’s GPS antenna also can be located in the customer’s main board and connect to module’s GPS_ANT pad through microstrip line or other type RF trace which impedance must be 50Ω .

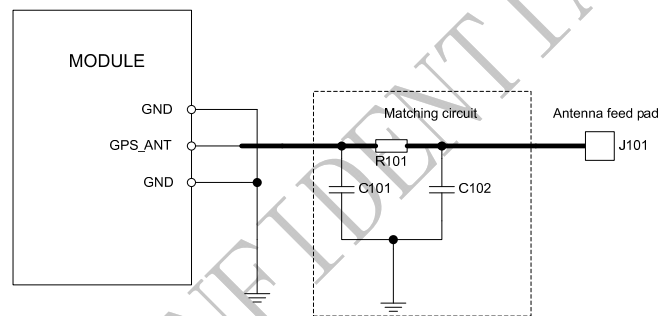


Figure 51: GPS antenna matching circuit

In Figure 51, the components R101, C101 and C102 is used for antenna matching, the components’ value only can be got after the antenna tuning. Usually, matching components’ value is provided by antenna vendor, the default value of R101 is 0Ω , and users need to reserve the place of C101 and C102 without soldering. The traces in bold type should be treated as 50Ω impedance controlled line in PCB layout.

5.3.2 GPS Antenna Choice Consideration

To obtain excellent GPS reception performance, a good antenna will always be required. The antenna is the most critical item for successful GPS reception in a weak signal environment. Proper choice and placement of the antenna will ensure that satellites at all elevations can be seen, and therefore, accurate fix measurements are obtained.

Most customers contract with antenna design houses to properly measure the radiation pattern of the final mounted configuration in a plastic housing with associated components near the antenna. Linear antennas are becoming more popular, and the gain is reasonable, since a smaller ground plane can be used.

User can consider following factors as:

- Choose a linear antenna with a reasonably uniform hemispherical gain pattern of $>-4\text{dBi}$.
- Use of an antenna with lower gain then this will give less than desirable results. Please note that a RHCP antenna with a gain of 3dBi , equates to a linear polarized antenna of 0dBi .

- Proper ground plane sizing is a critical consideration for small GPS antennas.
- Proper placement of the GPS antenna should always be the FIRST consideration in integrating the SIM808 GPS Module.

If the customer’s design will allow for a ceramic RHCP patch antenna with an appropriately sized ground plane, and the patch is normally oriented towards the sky, then that particular solution usually works the best. Note that if the patch antenna ground plane is less than 60x60mm, then compromises to the beam width and gain pattern could result. Usually the gain becomes very directional, and loses several dB of performance. Since results can vary, measuring the antenna radiation pattern in the final housing in an appropriate anechoic chamber is required.

Some customers do not have the size availability to implement a patch antenna approach. In that instance, use of a Linear Polarized (LP) antenna is the next best alternative. There are new ceramic LP antennas on the market that exhibit reasonable gain characteristics once properly mounted in the housing, and when matched to an appropriate sized ground. Generally the ground plane requirements are smaller for a LP antenna when compared to a patch, but once again, proper testing in an anechoic chamber is a mandatory requirement. These ceramic elements will need to be located near the end of the ground plane, and will require several millimeters of clearance between the closest component. It is important to note that use of a LP antenna will result in a minimum of 3dB of gain loss when compared to a RHCP antenna at a defined elevation. This is due to the right hand gain rule of antenna propagation.

Use of PIFA antenna is another LP possibility, but the PIFA usually exhibits a considerable amount of gain nulls, or “holes” in the radiation pattern. This will be undesirable for obtaining a low circular error probability (CEP), since the antenna may not allow the receiver to capture the desired satellite at the ideal orientation due to these noted gain nulls. Once again, careful testing in an appropriate anechoic chamber is required.

If the customer’s design is for automotive applications, then an active antenna can be used and located on top of the car in order to achieve the best signal quality. GPS antenna choice should be based on the designing product and other conditions.

For detailed Antenna designing consideration, please refer to related antenna vendor’s design recommendation. The antenna vendor will offer further technical support and tune their antenna characteristic to achieve successful GPS reception performance depending on the customer’s design.

6 Electrical, Reliability and Radio Characteristics

6.1 Absolute Maximum Ratings

The absolute maximum ratings stated in following table are stress ratings under non-operating conditions. Stresses beyond any of these limits will cause permanent damage to SIM808.

Table 38: Absolute maximum ratings

Symbol	Min	Typ	Max	Unit
--------	-----	-----	-----	------

VBAT	-	-	4.5	V
Peak Current	0	-	2.0	A
VBUS	-	-	30	V
I _I *	-	-	8	mA
I _O *	-	-	8	mA

* These parameters are for digital interface pins, such as keypad, GPIO, I2C, UART, LCD and PCM..

6.2 Recommended Operating Conditions

Table 39: Recommended operating conditions

Symbol	Parameter	Min	Typ	Max	Unit
VBAT	Power supply voltage	3.4	4.0	4.4	V
T _{OPER}	Operating temperature	-40	+25	+85	°C
T _{STG}	Storage temperature	-45		+90	°C

6.3 Digital Interface Characteristics

Table 40: Digital interface characteristics

Symbol	Parameter	Min	Typ	Max	Unit
I _{IH}	High-level input current	-10	-	10	uA
I _{IL}	Low-level input current	-10	-	10	uA
V _{IH}	High-level input voltage	2.4	-	-	V
V _{IL}	Low-level input voltage	-	-	0.4	V
V _{OH}	High-level output voltage	2.7	-	-	V
V _{OL}	Low-level output voltage	-	-	0.1	V

* These parameters are for digital interface pins, such as keypad, GPIO, I²C, UART, LCD, PWMs and DEBUG.

6.4 SIM Card Interface Characteristics

Table 41: SIM card interface characteristics

Symbol	Parameter	Min	Typ	Max	Unit
I _{IH}	High-level input current	-1	-	1	uA
I _{IL}	Low-level input current	-1	-	1	uA
V _{IH}	High-level input voltage	1.4	-	-	V
		2.4	-	-	V
V _{IL}	Low-level input voltage	-	-	0.27	V
				0.4	V
V _{OH}	High-level output voltage	1.62	-	-	V
		2.7	-	-	V

V _{OL}	Low-level output voltage	-	-	0.36	V
		-	-	0.4	V

6.5 SIM_VDD Characteristics

Table 42: SIM_VDD characteristics

Symbol	Parameter	Min	Typ	Max	Unit
V _O	Output voltage	-	3	-	V
		-	1.80	-	
I _O	Output voltage	-	-	10	mA

6.6 VDD_EXT Characteristics

Table 43: VDD_EXT characteristics

Symbol	Parameter	Min	Typ	Max	Unit
V _O	Output voltage	2.70	2.80	2.95	V
I _O	Output current	-	-	50	mA

6.7 VRTC Characteristics

Table 44: VRTC characteristics

Symbol	Parameter	Min	Typ	Max	Unit
V _{RTC-IN}	VRTC input voltage	-	2.8	-	V
I _{RTC-IN}	VRTC input current	-	3	-	uA
V _{RTC-OUT}	VRTC output voltage	-	2.8	-	V
I _{RTC-OUT}	VRTC output current	-	-	2	uA

6.8 Current Consumption (VBAT = 4V, GPS engine is powered down)

Table 45: GSM current consumption*

Symbol	Parameter	Conditions	Min	Typ	Max	Unit
VBAT	Voltage		3.4	4.0	4.4	V
	Power drop	PCL=5			350	mV
	Voltage ripple	PCL=5 @ f<200kHz @ f>200kHz			50 2	mV mV

I _V BAT	Average current	Power down mode		38	50	uA
		Sleep mode (AT+CFUN=1): (BS-PA-MFRMS=9)		1.965		mA
		(BS-PA-MFRMS=5)		1.7		mA
		(BS-PA-MFRMS=2)		1.4		mA
		Idle mode (AT+CFUN=1): EGSM900		22.1		mA
		Voice call (PCL=5): GSM850		207.63		mA
		EGSM900		202.32		mA
		DCS1800		139.825		
		PCS1900		137.805		
		Data mode GPRS (1Rx,4Tx): GSM850		445.82		mA
EGSM900		424.32		mA		
DCS1800		293.62				
PCS1900		279.18				
Data mode GPRS (3Rx,2Tx): GSM850		329.79		mA		
EGSM900		220.62		mA		
DCS1800		223.18				
PCS1900		218.34				
Data mode GPRS (4Rx,1Tx): GSM850		221.25		mA		
EGSM900		220.62		mA		
DCS1800		158.01				
PCS1900		158.62				
I _{MAX}	Peak current	During TX burst		2.0		A

* In above table the current consumption value is the typical one of the module tested in laboratory. In the mass production stage, there may be differences among each individual.

6.9 Electro-Static Discharge

SIM808 is an ESD sensitive component, so more attention should be paid to the procedure of handling and packaging. The ESD test results are shown in the following table.

Table 46: The ESD characteristics (Temperature: 25°C, Humidity: 45 %)

Pin	Contact discharge	Air discharge
VBAT	±5KV	±10KV
GND	±5KV	±10KV
RXD, TXD	±4KV	±8KV
Antenna port	±5KV	±10KV

SPK1P/ SPK1N	±4KV	±8KV
MIC1P/ MIC1N		
PWRKEY	±4KV	±8KV

Note: It is suggested that customers in serials with 100ohm resistances on UART lines for ESD consideration.

6.10 Radio Characteristics

6.10.1 Module RF Output Power

The following table shows the module conducted output power, it is followed by the 3GPP TS 05.05 technical specification requirement.

Table 47: SIM808 GSM 900 and GSM 850 conducted RF output power

GSM 900 and EGSM 850			
PCL	Nominal output power (dBm)	Tolerance (dB) for conditions	
		Normal	Extreme
0-2	39	±2	±2.5
3	37	±3	±4
4	35	±3	±4
5	33	±3	±4
6	31	±3	±4
7	29	±3	±4
8	27	±3	±4
9	25	±3	±4
10	23	±3	±4
11	21	±3	±4
12	19	±3	±4
13	17	±3	±4
14	15	±3	±4
15	13	±3	±4
16	11	±5	±6
17	9	±5	±6
18	7	±5	±6
19-31	5	±5	±6

Table 48: SIM808 DCS 1800 and PCS 1900 conducted RF output power

DCS 1800 and PCS 1900			
PCL	Nominal output power (dBm)	Tolerance (dB) for conditions	
		Normal	Extreme

29	36	±2	±2.5
30	34	±3	±4
31	32	±3	±4
0	30	±3	±4
1	28	±3	±4
2	26	±3	±4
3	24	±3	±4
4	22	±3	±4
5	20	±3	±4
6	18	±3	±4
7	16	±3	±4
8	14	±3	±4
9	12	±4	±5
10	10	±4	±5
11	8	±4	±5
12	6	±4	±5
13	4	±4	±5
14	2	±5	±6
15-28	0	±5	±6

For the module's output power, the following should be noted:

At GSM900 and GSM850 band, the module is a class 4 device, so the module's output power should not exceed 33dBm, and at the maximum power level, the output power tolerance should not exceed +/-2dB under normal condition and +/-2.5dB under extreme condition.

At DCS1800 and PCS1900 band, the module is a class 1 device, so the module's output power should not exceed 30dBm, and at the maximum power level, the output power tolerance should not exceed +/-2dB under normal condition and +/-2.5dB under extreme condition.

6.10.2 Module RF Receive Sensitivity

The following table shows the module's conducted receive sensitivity, it is tested under static condition.

Table 49: SIM808 conducted RF receive sensitivity

Frequency	Receive sensitivity (Typical)	Receive sensitivity(Max)
GSM850	-109dBm	-107dBm
EGSM900	-109dBm	-107dBm
DCS1800	-109dBm	-107dBm
PCS1900	-109dBm	-107dBm

6.10.3 Module Operating Frequencies

The following table shows the module's operating frequency range; it is followed by the 3GPP TS 05.05 technical specification requirement.

Table 50: SIM808 operating frequencies

Frequency	Receive	Transmit
GSM850	869 ~ 894MHz	824 ~ 849 MHz
EGSM900	925 ~ 960MHz	880 ~ 915MHz
DCS1800	1805 ~ 1880MHz	1710 ~ 1785MHz
PCS1900	1930 ~ 1990MHz	1850 ~ 1910MHz

SIMCOM CONFIDENTIAL FILE

7 Manufacturing

7.1 Top and Bottom View of SIM808



Figure 52: Top and Bottom View of SIM808

7.2 Typical Solder Reflow Profile

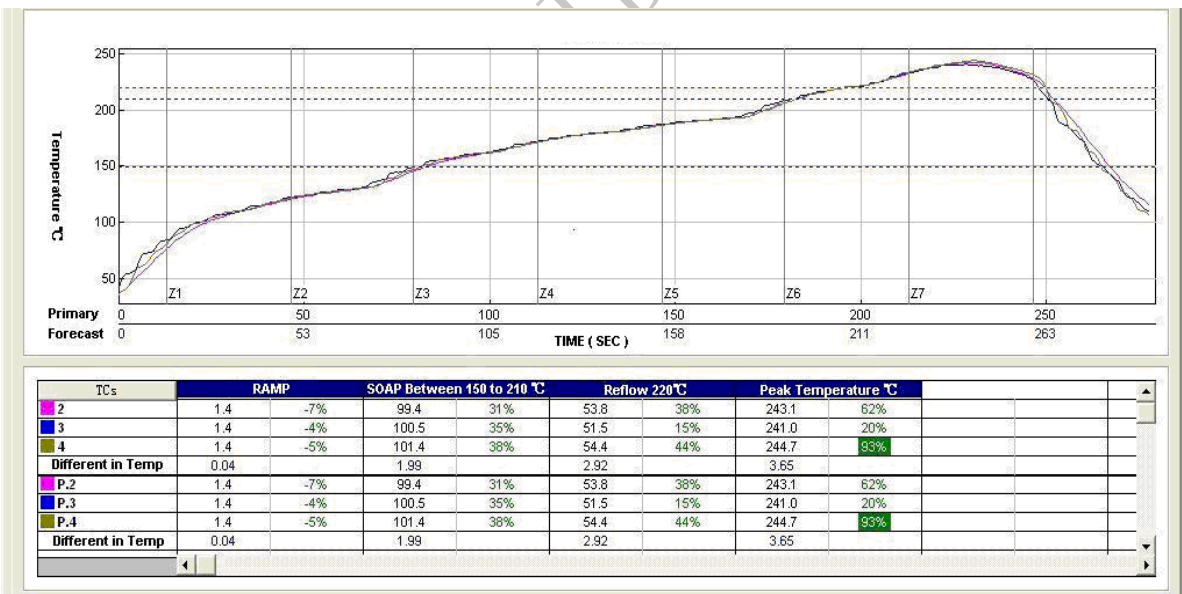


Figure 53: Typical Solder Reflow Profile

Note: Please refer to 《Module secondary-SMT-UGD》 for more information about the module shipping and manufacturing.

7.3 The Moisture Sensitivity Level

The moisture sensitivity level of SIM808 is 3. The module should be mounted within 168 hours after unpacking in the environmental conditions of temperature $<30^{\circ}\text{C}$ and relative humidity of $<60\%$ (RH). It is necessary to bake the module if the above conditions are not met:

Table 51: Moisture classification level and floor life

Level	Floor Life (out of bag) at factory ambient $\leq 30^{\circ}\text{C}$ /60% RH or as stated
1	Unlimited at $\leq 30^{\circ}\text{C}$ /85% RH
2	1 year
2a	4 weeks
3	168 hours
4	72 hours
5	48 hours
5a	24 hours
6	Mandatory bake before use. After bake, it must be reflowed within the time limit specified on the label.

NOTES:

1. If the vacuum package is not open for 6 months or longer than the packing date, baking is also recommended before re-flow soldering.
2. For product handling, storage, processing, IPC / JEDEC J-STD-033 must be followed.

7.4 Baking Requirements

Because of its sensitivity to moisture absorption, SIM808 should be baked sufficiently before re-flow soldering. Otherwise SIM808 will be at the risk of permanent damage during re-flow soldering. SIM808 should be baked 192 hours at temperature $40^{\circ}\text{C} \pm 5^{\circ}\text{C}$ / -0°C and $<5\%$ RH for low-temperature device containers, or 72 hours at temperature $80^{\circ}\text{C} \pm 5^{\circ}\text{C}$ for high-temperature device containers. Care should be taken that the plastic tray is not heat resistant, SIM808 modules should be taken out for baking, and otherwise the tray may be damaged by high-temperature during baking.

Table 52: Baking requirements

Baking temperature	Moisture	Time
$40^{\circ}\text{C} \pm 5^{\circ}\text{C}$	$<5\%$	192 hours
$120^{\circ}\text{C} \pm 5^{\circ}\text{C}$	$<5\%$	4 hours

Appendix

A. Related Documents

Table 53: Related documents

SN	Document name	Remark
[1]	SIM800_AT Command Manual	SIM800 AT Command Manual
[2]	AN_SIM900_TCPIP	TCP/IP Applications User Manual
[3]	SIM900_Multiplexer User Manual_Application Note	SIM808 Multiplexer User Manual Application Note
[4]	AN_SIM900 Series_Update Tool_UGD	SIM808 Series Update Tool User Guide
[5]	AN_SIM900_AUDIO	Applications Note About SIM808 Audio
[6]	AN_SIM900_Audio LINE-IN input	Applications Note About SIM808 LINE-IN Input
[7]	SIM900_Embedded AT Application Note	SIM808 Embedded AT Application Note
[8]	AN_Serial Port	Application Note About Serial Port
[9]	AN_SIM900-TE PCB Layout & Schematic for Reference	Application Note About SIM808-TE PCB Layout & Schematic
[10]	Module secondary-SMT-UGD	Module secondary SMT User Guide
[11]	ITU-T Draft new recommendation V.25ter:	Serial asynchronous automatic dialing and control
[12]	GSM 07.07:	Digital cellular telecommunications (Phase 2+); AT command set for GSM Mobile Equipment (ME)
[13]	GSM 07.10:	Support GSM 07.10 multiplexing protocol
[14]	GSM 07.05:	Digital cellular telecommunications (Phase 2+); Use of Data Terminal Equipment – Data Circuit terminating Equipment (DTE – DCE) interface for Short Message Service (SMS) and Cell Broadcast Service (CBS)
[15]	GSM 11.14:	Digital cellular telecommunications system (Phase 2+); Specification of the SIM Application Toolkit for the Subscriber Identity Module – Mobile Equipment (SIM – ME) interface
[16]	GSM 11.11:	Digital cellular telecommunications system (Phase 2+); Specification of the Subscriber Identity Module – Mobile Equipment (SIM – ME) interface
[17]	GSM 03.38:	Digital cellular telecommunications system (Phase 2+); Alphabets and language-specific information
[18]	GSM 11.10	Digital cellular telecommunications system (Phase 2); Mobile Station (MS) conformance specification; Part 1: Conformance specification

B. Terms and Abbreviations






Table 54: Terms and Abbreviations

Abbreviation	Description
ADC	Analog-to-Digital Converter
AMR	Adaptive Multi-Rate
CS	Coding Scheme
CSD	Circuit Switched Data
CTS	Clear to Send
CEP	Circular Error Probable
DTE	Data Terminal Equipment (typically computer, terminal, printer)
DTR	Data Terminal Ready
DTX	Discontinuous Transmission
EFR	Enhanced Full Rate
EGSM	Enhanced GSM
EGNOS	European Geostationary Navigation Overlay Service
ESD	Electrostatic Discharge
ETS	European Telecommunication Standard
FR	Full Rate
GPRS	General Packet Radio Service
GSM	Global Standard for Mobile Communications
GPS	Global Positioning System
GAGAN	The GPS Aided Geo Augmented Navigation
HR	Half Rate
IMEI	International Mobile Equipment Identity
Li-ion	Lithium-Ion
MO	Mobile Originated
MS	Mobile Station (GSM engine), also referred to as TE
MT	Mobile Terminated
MSAS	Multi-Functional Satellite Augmentation System
NMEA	National Marine Electronics Association
PAP	Password Authentication Protocol
PBCCH	Packet Broadcast Control Channel
PCB	Printed Circuit Board
PCL	Power Control Level
PCS	Personal Communication System, also referred to as GSM 1900
PDU	Protocol Data Unit
PPP	Point-to-point protocol
QZSS	Quasi-Zenith Satellites System
RF	Radio Frequency
RMS	Root Mean Square (value)

RTC	Real Time Clock
RX	Receive Direction
SIM	Subscriber Identification Module
SBAS	Satellite Based Augmentation Systems
SMS	Short Message Service
TE	Terminal Equipment, also referred to as DTE
TX	Transmit Direction
UART	Universal Asynchronous Receiver & Transmitter
URC	Unsolicited Result Code
USSD	Unstructured Supplementary Service Data
WAAS	Wide Area Augmentation System
Phonebook abbreviations	
FD	SIM fix dialing phonebook
LD	SIM last dialing phonebook (list of numbers most recently dialed)
MC	Mobile Equipment list of unanswered MT calls (missed calls)
ON	SIM (or ME) own numbers (MSISDNs) list
RC	Mobile Equipment list of received calls
SM	SIM phonebook
NC	Not connect

C. Safety Caution

Table 55: Safety caution

Marks	Requirements
	When in a hospital or other health care facility, observe the restrictions about the use of mobiles. Switch the cellular terminal or mobile off, medical equipment may be sensitive to not operate normally for RF energy interference.
	Switch off the cellular terminal or mobile before boarding an aircraft. Make sure it is switched off. The operation of wireless appliances in an aircraft is forbidden to prevent interference with communication systems. Forget to think much of these instructions may lead to the flight safety or offend against local legal action, or both.
	Do not operate the cellular terminal or mobile in the presence of flammable gases or fumes. Switch off the cellular terminal when you are near petrol stations, fuel depots, chemical plants or where blasting operations are in progress. Operation of any electrical equipment in potentially explosive atmospheres can constitute a safety hazard.
	Your cellular terminal or mobile receives and transmits radio frequency energy while switched on. RF interference can occur if it is used close to TV sets, radios, computers or other electric equipment.
	Road safety comes first! Do not use a hand-held cellular terminal or mobile when driving a vehicle, unless it is securely mounted in a holder for hands free operation. Before making a call with a hand-held terminal or mobile, park the vehicle.



GSM cellular terminals or mobiles operate over radio frequency signals and cellular networks and cannot be guaranteed to connect in all conditions, for example no mobile fee or a invalid SIM card. While you are in this condition and need emergent help, please remember using emergency calls. In order to make or receive calls, the cellular terminal or mobile must be switched on and in a service area with adequate cellular signal strength.

Some networks do not allow for emergency call if certain network services or phone features are in use (e.g. lock functions, fixed dialing etc.). You may have to deactivate those features before you can make an emergency call.

Also, some networks require that a valid SIM card be properly inserted in the cellular terminal or mobile.

SIMCOM CONFIDENTIAL FILE

Contact us:

Shanghai SIMCom Wireless Solutions Ltd.

Add: SIM Technology Building, No.633, Jinzhong Road, Changning District, Shanghai P.R. China
200335

Tel: +86 21 3252 3300

Fax: +86 21 3252 3301

URL: www.sim.com/wm

SIMCOM CONFIDENTIAL FILE