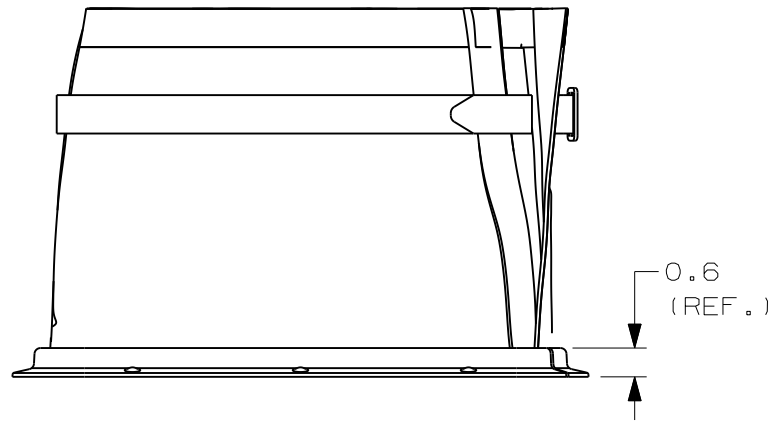
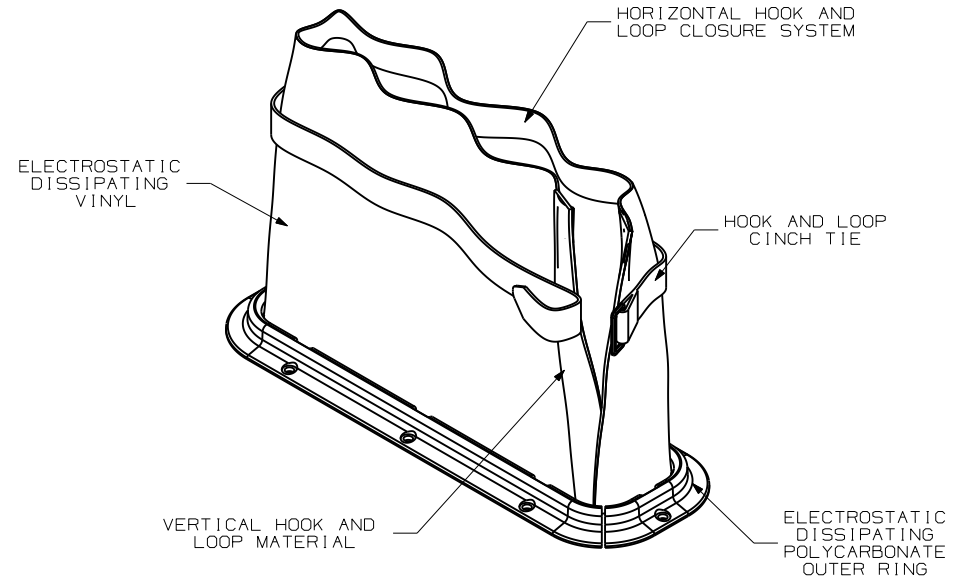
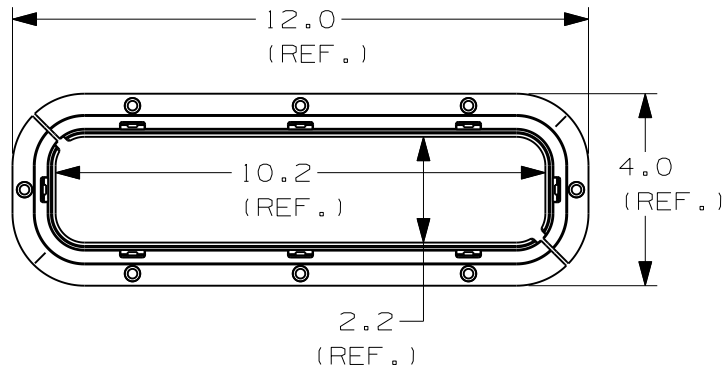


THIS COPY IS PROVIDED ON A RESTRICTED BASIS AND IS NOT TO BE USED IN ANY WAY DETRIMENTAL TO THE INTERESTS OF PANDUIT CORP.



NOTE:
1) PRODUCT INCLUDES PHILLIPS PANHEAD SELF-DRILL SCREWS, #6 x 5/8", (QTY 8).

DIMENSIONS IN BRACKETS ARE METRIC [mm]	
CAD FILENAME/LAYERS G03405VJ_DC_GB3405VJ/01A	
PANDUIT CORP. TINLEY PARK, ILLINOIS	
RFG12X4SMY RAISED FLOOR GROMMET (SURFACE MOUNT)	
UNLESS OTHERWISE SPECIFIED, DIMENSIONAL TOLERANCES ARE: (.X) ± 0.1 (2.5) (.XXX) ± 0.010 (0.25) (.XX) ± 0.02 (0.5) ANGLES ± 5°	UNLESS OTHERWISE SPECIFIED, ALL DIMENSIONS ARE GIVEN IN INCHES, THIRD ANGLE PROJECTION.
DRAWN BY ARHA	MAT'L: N/A
DATE 01/18/08	SCALE 1 : 4
CHK'D	DRAWING NO. GB3405VJ
	DWG A SIZE

REV	DATE	BY	CHK	DESCRIPTION	ECN	R	CUST	SUP
O1A	01/16/12	CR-MBA	DJW	RFG12X4 BRACKET SPLIT	GB3405VJ	O1A	KLN	
OOB	08/15/08	ARHA	DJW	ADDED "Y" PART NUMBER; CHANGED REV. STYLE.	GB3405VJ	OOB	KLN	
R	01/18/08	ARHA	MJK	INITIAL RELEASE	GB3405VJ	R	DJW	