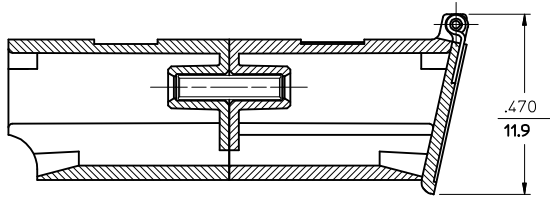
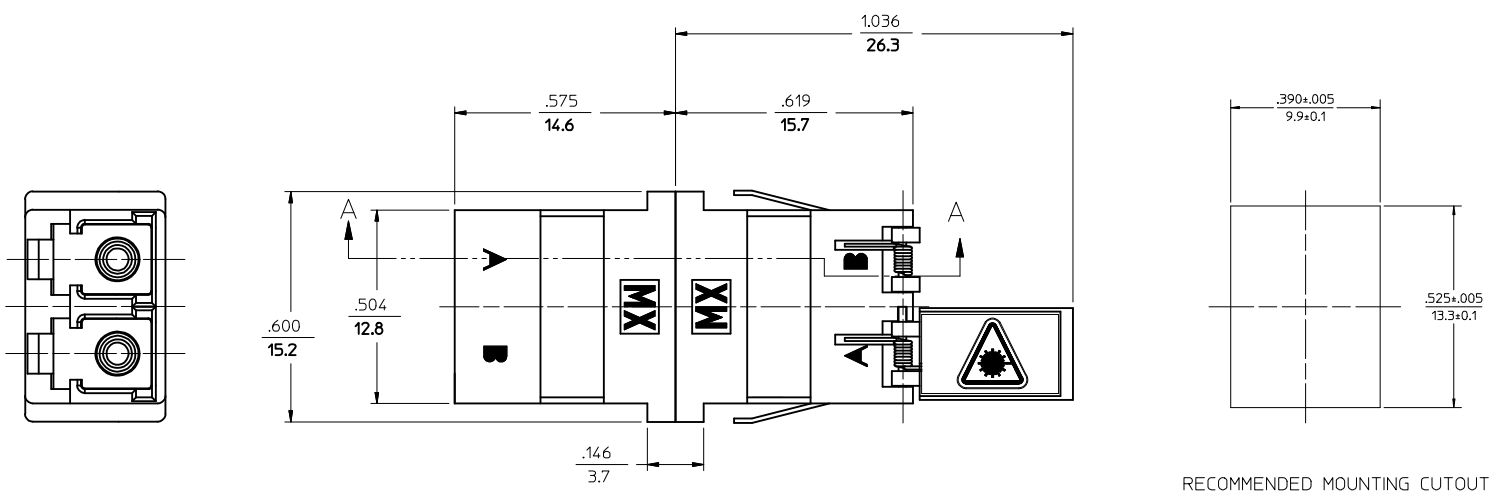
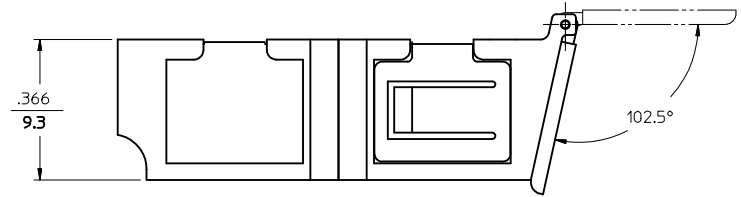


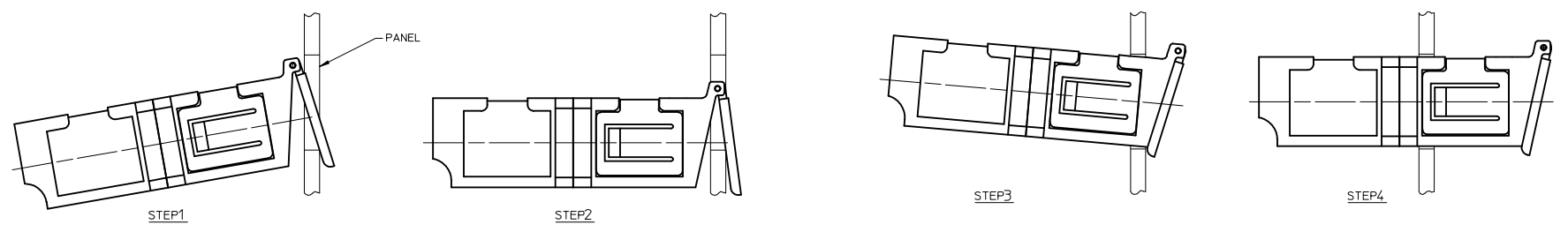
| | | | |
|-------------------|-------|--------------------------|-----------|
| LC ADAPTER P/N | COLOR | SPLIT SLEEVE MATERIAL | DOOR TYPE |
| 106127-0412 | BEIGE | Ph. Bronze | PLASTIC |
| 106127-1455 | GREEN | Zr | |



SECTION A-A



RECOMMENDED MOUNTING CUTOUT
FOR $\frac{.063}{1.6}$ THICK PANEL



NOTES:
1. DUST CAPS ARE NOT SHOWN, BUT INCLUDED.

| ENTER DESCRIPTION EC NO: MF2009-0243 DRW:KPEVZNER CHKD: 2008/12/04 APPR: IGJMIN 2008/12/05 | QUALITY SYMBOLS ▽=0 ▽=0 | GENERAL TOLERANCES (UNLESS SPECIFIED) <table border="1"> <tr> <th></th> <th>mm</th> <th>INCH</th> </tr> <tr> <td>4 PLACES ±</td> <td>---</td> <td>---</td> </tr> <tr> <td>3 PLACES ±</td> <td>---</td> <td>---</td> </tr> <tr> <td>2 PLACES ±</td> <td>---</td> <td>---</td> </tr> <tr> <td>1 PLACE ±</td> <td>---</td> <td>---</td> </tr> </table> | | mm | INCH | 4 PLACES ± | --- | --- | 3 PLACES ± | --- | --- | 2 PLACES ± | --- | --- | 1 PLACE ± | --- | --- | DIMENSION STYLE IN/MM | SCALE 1:1 | DESIGN UNITS INCH | THIRD ANGLE PROJECTION |
|------------------------------------------------------------------------------------------------------------------|------------------------------------------------------------|--------------------------------------------------------------------------------------------------------------------------------------------------------------------------------------------------------------------------------------------------------------------------------------------------------------------------------------------------------|----------------------------------|-------------------------------------------------------------------------------------------------------------------------------|------------------------------------------------------------------------------------------------------|-----------------------------|-----|-----|------------|-----|-----|------------|-----|-----|-----------|-----|-----|---------------------------------|---------------------|-----------------------------|------------------------|
| | | mm | INCH | | | | | | | | | | | | | | | | | | |
| | 4 PLACES ± | --- | --- | | | | | | | | | | | | | | | | | | |
| | 3 PLACES ± | --- | --- | | | | | | | | | | | | | | | | | | |
| 2 PLACES ± | --- | --- | | | | | | | | | | | | | | | | | | | |
| 1 PLACE ± | --- | --- | | | | | | | | | | | | | | | | | | | |
| DESCRIPTION B1 | DRAFT WHERE APPLICABLE MUST REMAIN WITHIN DIMENSIONS | MATERIAL NO. SEE TABLE | DRAWN BY PGIBLIN | DATE 2005/10/05 | TITLE LC DUPLEX ADAPTER W/ SHUTTERS (SMALL FLANGE/SC FOOT PRINT) | MOLEX INCORPORATED | | | | | | | | | | | | | | | |
| | | APPROVED BY DATE | MATERIAL NO. SEE TABLE | DATE | DOCUMENT NO. SD-106127-0412 | SHEET NO. 1 OF 01 | | | | | | | | | | | | | | | |
| | | | SIZE C | THIS DRAWING CONTAINS INFORMATION THAT IS PROPRIETARY TO MOLEX INCORPORATED AND SHOULD NOT BE USED WITHOUT WRITTEN PERMISSION | | | | | | | | | | | | | | | | | |