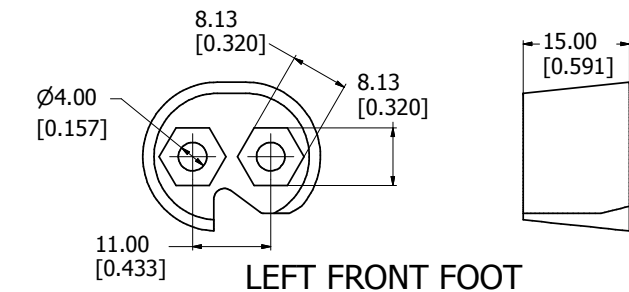
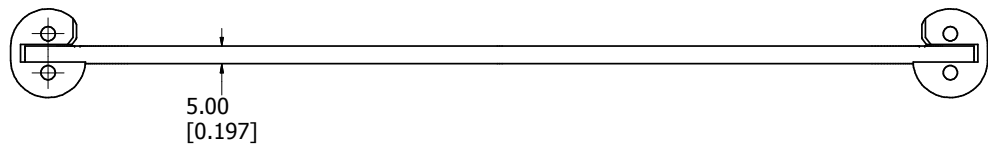
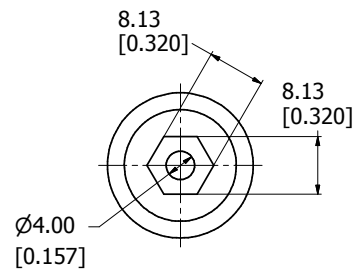


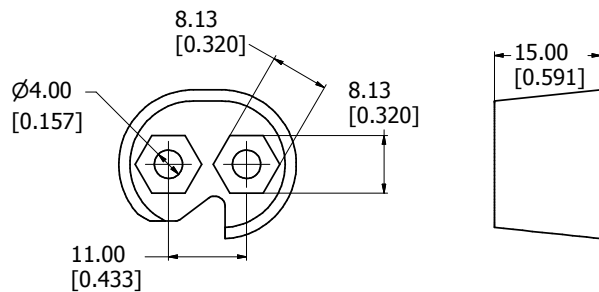
BAIL WITH FRONT FEET



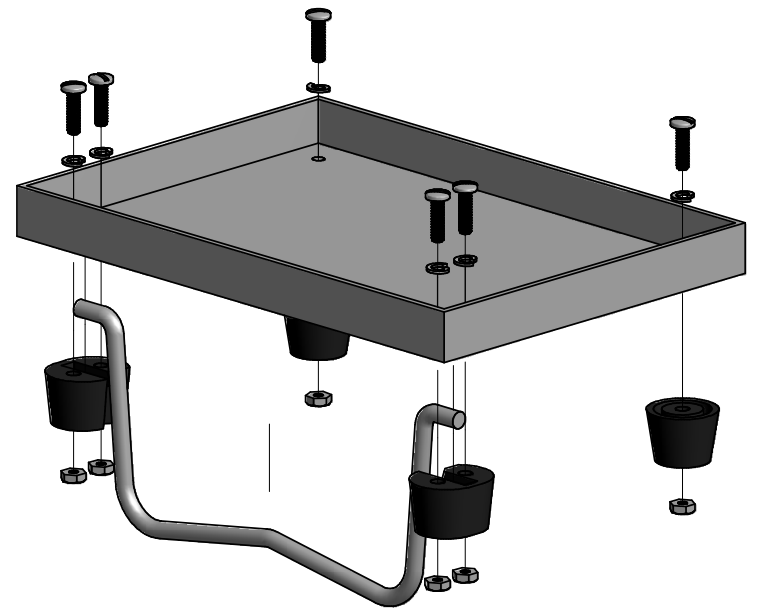
LEFT FRONT FOOT



BACK FOOT



RIGHT FRONT FOOT



EXPLODED BAIL ASSEMBLY (BOX NOT INCLUDED)

| |
|-----------------------------------|
| 1427D10 |
| Bail - Bright Chrome Plated Steel |
| Feet - Matte Black Plastic |
| Hardware |
| 6 Screws - Panhead 6-32 x 1/2" |
| 6 Nuts - #6-32 Hex Nut |
| 6 Washers - #6 Lock-Washer |
| **note bail sold singly |



**HAMMOND
MANUFACTURING™**

1427D10