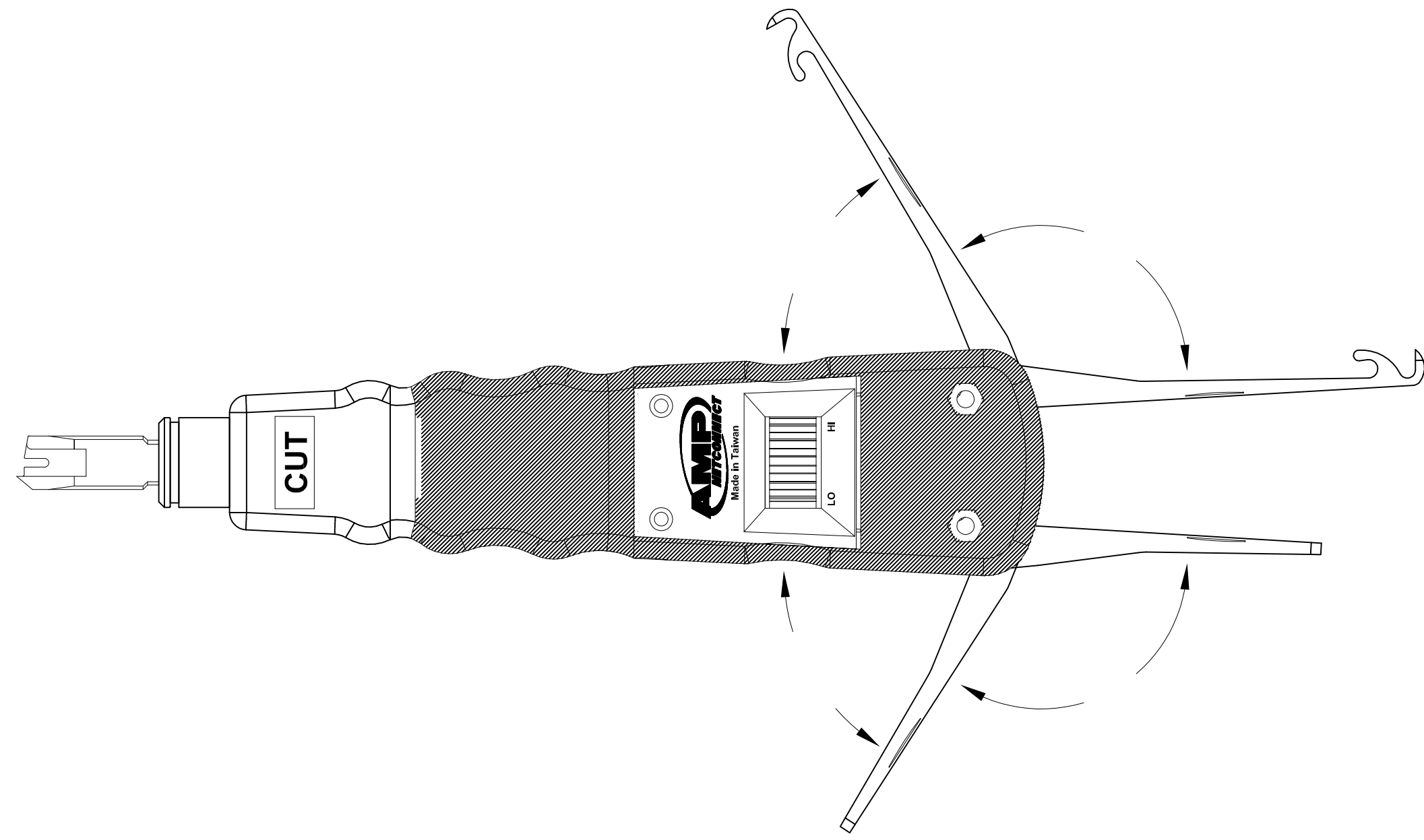



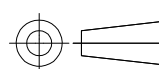
THIS DRAWING IS UNPUBLISHED. RELEASED FOR PUBLICATION  
 © COPYRIGHT - By - ALL RIGHTS RESERVED.

LOC	DIST	REVISIONS					
A	40	P	LTR	DESCRIPTION	DATE	DWN	APVD
			C2	ECR-12-000532	1-2012	MY	RK

PART NUMBER	REV	FIRST USED	WITH BLADE PART NUMBER	BLADE TYPE
1375308-1	C	-	1375309-1	110
1375308-2	C	-	NO BLADE	-
1375308-3	C	-	1725872-1	66
1375308-4	C	-	1375310-1	110/66

OBSOLETE



THIS DRAWING IS A CONTROLLED DOCUMENT.		DWN R. SMELTZ 09JAN2004	 TE Connectivity	
DIMENSIONS: INCHES		CHK D. MEYER 09JAN2004		
		APVD R. SCHAEFFER 09JAN2004	NAME TOOL, IMPACT, W/BLADE, D914S, XC, 110 CONNECT	
TOLERANCES UNLESS OTHERWISE SPECIFIED:		PRODUCT SPEC	-	
0 PLC ± - 1 PLC ± - 2 PLC ± .02 3 PLC ± - 4 PLC ± - ANGLES ± -		APPLICATION SPEC	-	
MATERIAL		WEIGHT	SIZE	RESTRICTED TO
-		-	A3 00779	-
FINISH		DRAWING NO		REV
-		C-1375308		C2
CUSTOMER DRAWING			SCALE	SHEET
			1:1	1 OF 1