

Ground contacts

V14 metal rectangular housing

HIFF insert

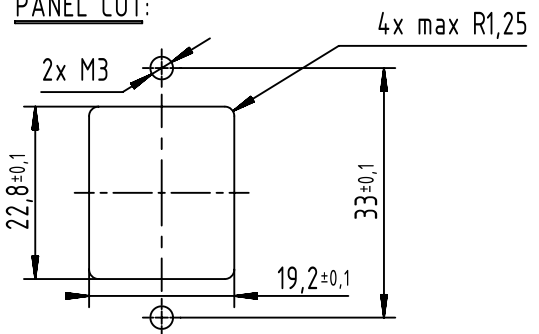
Flat seal

(22,2)

(42)

(33)

PANEL CUT:



Thickness panel: 1mm to 6mm
M3 screwing torque: 0,3 to 0,5 Nm

	All rights reserved Department EC PD - FR	All Dimensions in mm Original Size DIN A4		Scale 2:1	Free size tol.		Ref.	
		HARTING Electronics GmbH D-32339 Espelkamp	Created by BARLEMONT	Inspected by DE VANSAY	Standardisation KOHLER	Date 2014-07-08	State Final Release	Sub.
		Title Han PushPull PFT metal rectangular HIFF					Doc-Key / ECM-Nr. 100219208/UGD/002/C 500000076632	
		Type TB	Number 09350120311			Rev. C	Page 1/1	