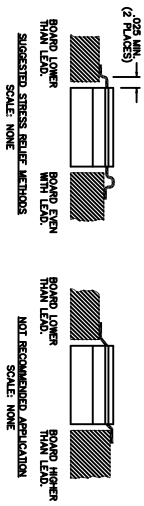


150-100RL

REVISIONS

| REV | RCN | DESCRIPTION | DATE | APP |
|-----|-------|---|---------|-----|
| A | --- | INITIAL RELEASE | 11/89 | TP |
| B | 2976 | UPDATED FLANGE DIMENSIONS | 4/00 | TJD |
| C | 3608 | UPDATE DRAWING & REVISE SPEC DATA | 5/01 | MS |
| D | 4134 | CHANGE FROM ELECTROLESS TO ELECTROLYTIC | 3/02 | TJD |
| E | 80925 | REFORMAT DWG NO. | 4/11/05 | JH |

- NOTES:
- OPERATING TEMPERATURE: -55°C TO +150°C. (SEE CHART)
 - DESIGNED TO MEET OR EXCEED APPLICABLE PORTIONS OF MIL-E-5400 & MIL-R-55342.
 - LEAD LENGTH: .150 MIN.



SUGGESTED MOUNTING PROCEDURES:

- MAKE SURE THAT THE DEVICES ARE MOUNTED ON FLAT SURFACES (.001" UNDER THE DEVICE) TO OPTIMIZE THE HEAT TRANSFER.
- DRILL & TAP THE HEATSINK FOR THE APPROPRIATE THREAD SIZE TO BE USED.
- COAT HEATSINK WITH A MINIMUM AMOUNT OF HIGH QUALITY SILICONE GREASE (.001" MAX. THICKNESS).
- POSITION DEVICE ON MOUNTING SURFACE & SECURE USING SOCKET HEAD SCREWS. FLAT & SPLIT WASHER TORQUE SCREWS TO THE APPROPRIATE VALUE. MAKE SURE THAT THE DEVICE IS FLAT AGAINST THE HEATSINK (CARE SHOULD BE TAKEN TO AVOID UPWARD PRESSURE OF THE LEADS TOWARDS THE LD).
- SOLDER LEADS IN PLACE USING 60/40 TYPE SOLDER WITH A CONTROLLED TEMPERATURE IRON (210°C).

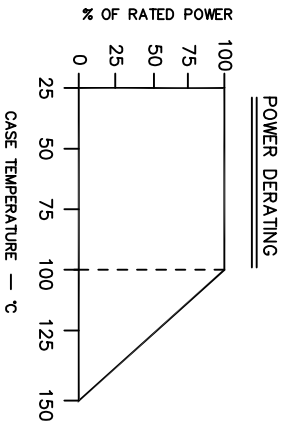
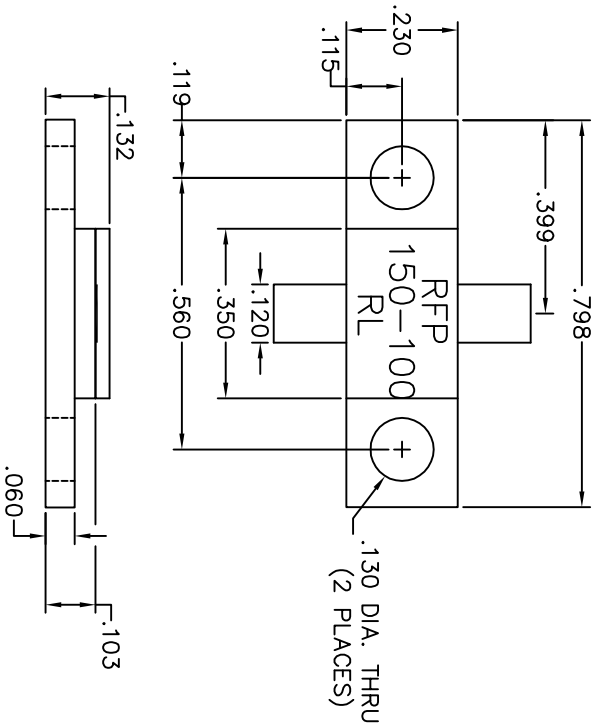
** FOR MORE DETAILS CONTACT FACTORY **

GENERAL SPECIFICATIONS:

RESISTIVE ELEMENT: PROPRIETARY THICK FILM
 SUBSTRATE: BERYLLIUM OXIDE CERAMIC
 COVER: ALUMINA CERAMIC
 MOUNTING FLANGE: COPPER, ELECTROLYTIC NICKEL PER QQ-N-290
 LEAD(S): 99.99% PURE SILVER (.005" THK.)

PERFORMANCE SPECIFICATIONS:

RESISTANCE VALUE: 100 OHMS, ±5%
 FREQUENCY RANGE: DC - 2.0 GHZ.
 INPUT POWER: 150 WATTS
 CAPACITANCE: 2.9 pF TYPICAL



| | |
|--|--------|
| THIS DRAWING CONTAINS PROPRIETARY INFORMATION ANY REPRODUCTION, DISCLOSURE OR USE OF THIS DRAWING IS EXPRESSLY PROHIBITED EXCEPT AS OTHERWISE AUTHORIZED IN WRITING. | |
| DGN BY | TP |
| CHKD BY | WK |
| ENG. | TJD |
| MFG. | NE |
| DATE | 1/91 |
| DATE | 4/4/00 |
| DATE | 4/00 |
| DATE | 4/00 |

| | |
|---|--------|
| UNLESS OTHERWISE SPECIFIED DIMENSIONS ARE IN INCHES. TOLERANCES ON DECIMALS .XXX±.010 | |
| SIZE | B |
| CAGE CODE | OBXB2 |
| DOC TY | 304 |
| REV. | E |
| SCALE | 4:1 |
| REF | |
| SHEET | 1 OF 1 |

SUBSIDIARY OF ANAREN MICROWAVE

RF POWER
 OUTLINE
 FULL FLANGE RESISTOR
 150 WATT 100 OHM