

DWG. NO. SD-58866-002

F

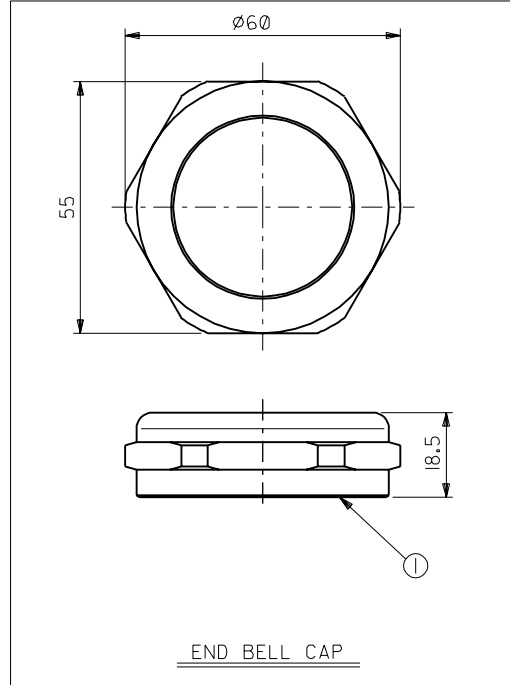
D

V

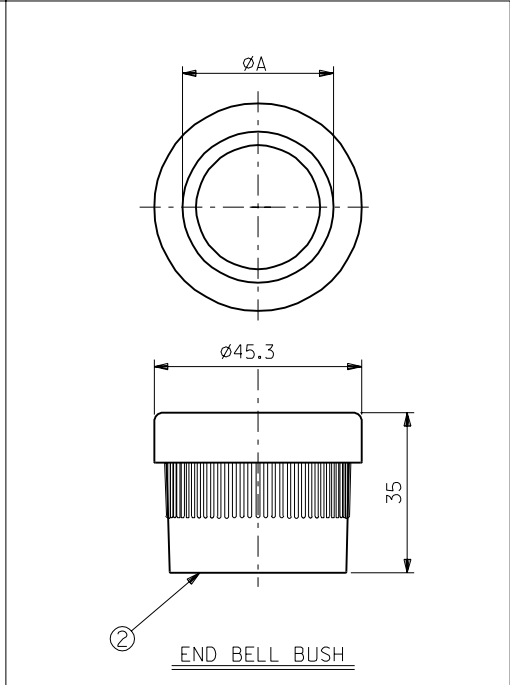
C

B

DO NOT SCALE DRAWING



END BELL CAP



END BELL BUSH

部番 NO.	部品名 PARTS NAME	個数 QUAN.	材質 MATERIAL
①	ケーブル キャップ CABLE CAP	1	黄銅、ニッケルメッキ BRASS, NI PLATING
②	ブッシュ BUSH	1	ポリ塩化ビニル PVC

橙 ORANGE	φ20~φ25	25	58866-0003	58866-****
青 BLUE	φ14~φ18	18	58866-0002	
黄 YELLOW	φ24~φ28	28	58866-0001	
黒 BLACK	φ29~φ33	33	58866-0000	
ブッシュ色 BUSH COLOR	適用電線径 WIRE SIZE	A	MATERIAL NO.	MODEL NO.
製品番号				

EC NO.	DRWN:	CHK:	APPR:
REVISED '01/05/14	EC No. JD2001-1521	DRWN: S.AKIYAMA	CHK: J.MIYAZAWA
APPR: H.IKESUGI	REVISED '01/01/22	EC No. JD2001-0972	DRWN: S.AKIYAMA
	APPR: H.IKESUGI	CHK: J.MIYAZAWA	APPR: H.IKESUGI
REVISED '99/10/06	EC No. JD2000-0333	DRWN: S.AKIYAMA	CHK: J.MIYAZAWA
	APPR: H.IKESUGI	APPR: H.IKESUGI	
RELEASED	EC No. JD90700'98/11/0	DRWN: Y.TETSUKA	CHK: S.AKIYAMA/YO.ITO
	APPR: H.IKESUGI	APPR: H.IKESUGI	
REV	DESCRIPTION	MATERIAL 材料	FINISH 仕上付
0	SEE CHART		#
INS. RANGE 被覆外径	WIRE RANGE 適用電線径	GENERAL TOLERANCES: (UNLESS SPECIFIED) 一般公差	ANGLE 角度
#	#	10 UNDER 未満 ±0.2	3°
		10 OVER 以上 30 UNDER 未満 ±0.25	
		30 OVER 以上 ±0.3	

SCALE 1-1	DESIGN UNITS <input checked="" type="checkbox"/> mm <input type="checkbox"/> INCH	THIRD ANGLE PROJECTION <input checked="" type="checkbox"/> THIRD ANGLE <input type="checkbox"/> FIRST ANGLE	DIMENSIONS: <input type="checkbox"/> mm <input type="checkbox"/> INCH <input checked="" type="checkbox"/> mm ONLY	SHT REV
DRAWN BY & DATE Y.TETSUKA '98/11/10	CHECKED BY & DATE S. Akiyama/Y.Ito '98/11/12	APPROVED BY & DATE H. Ikesugi '98/11/12	TITLE: POWER CONN. END BELL CAP SET (PG36)	REVISE ON CAD ONLY
CAD FILE NAME 58866002.S01	MATERIAL NO. SEE CHART	DRAWING NO. SD-58866-002	SHEET NO. 1 OF 1	SIZE B

THIS DRAWING CONTAINS INFORMATION THAT IS PROPRIETARY TO MOLEX INCORPORATED AND SHOULD NOT BE USED WITHOUT WRITTEN PERMISSION.

58866002.S01