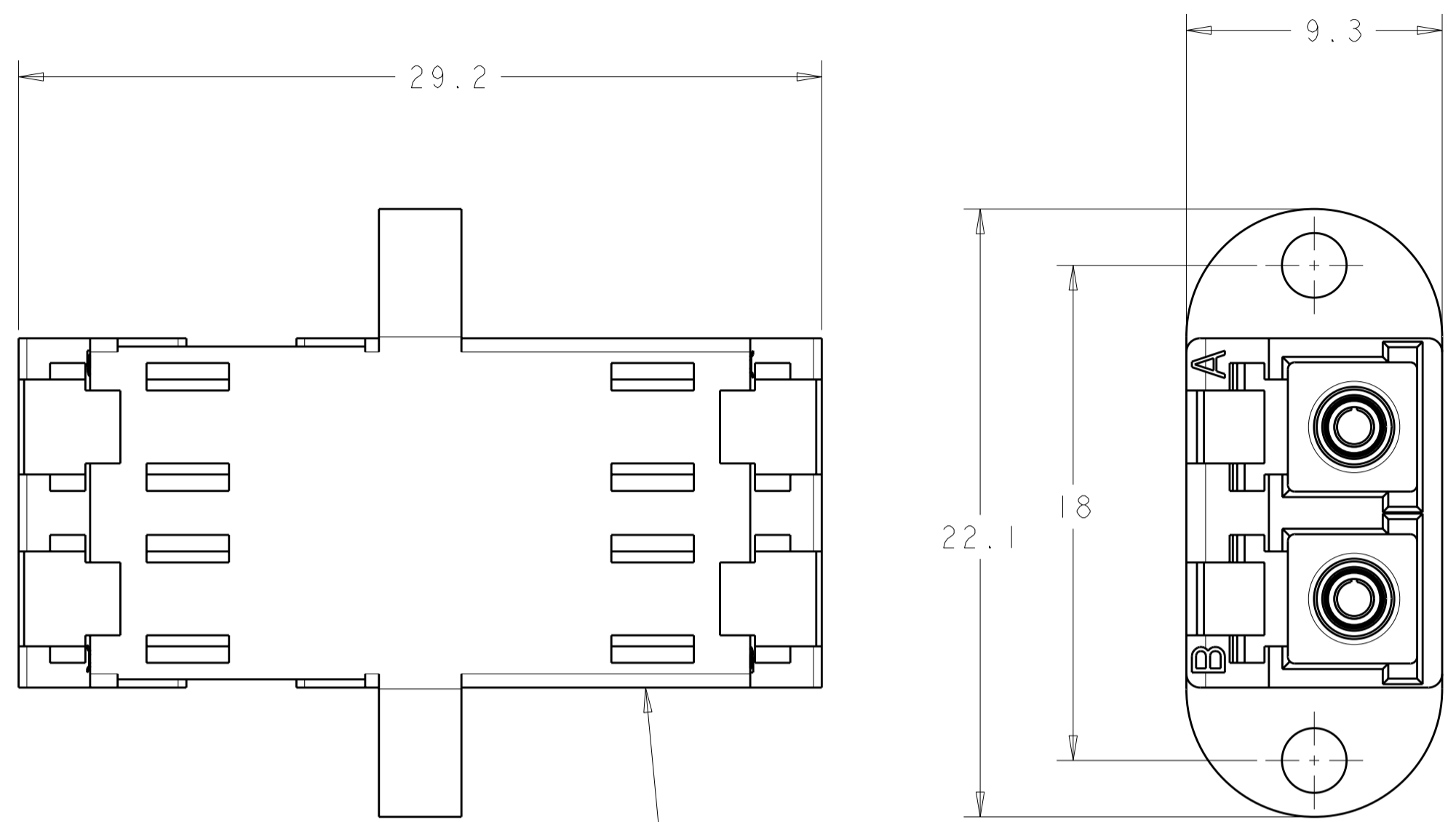
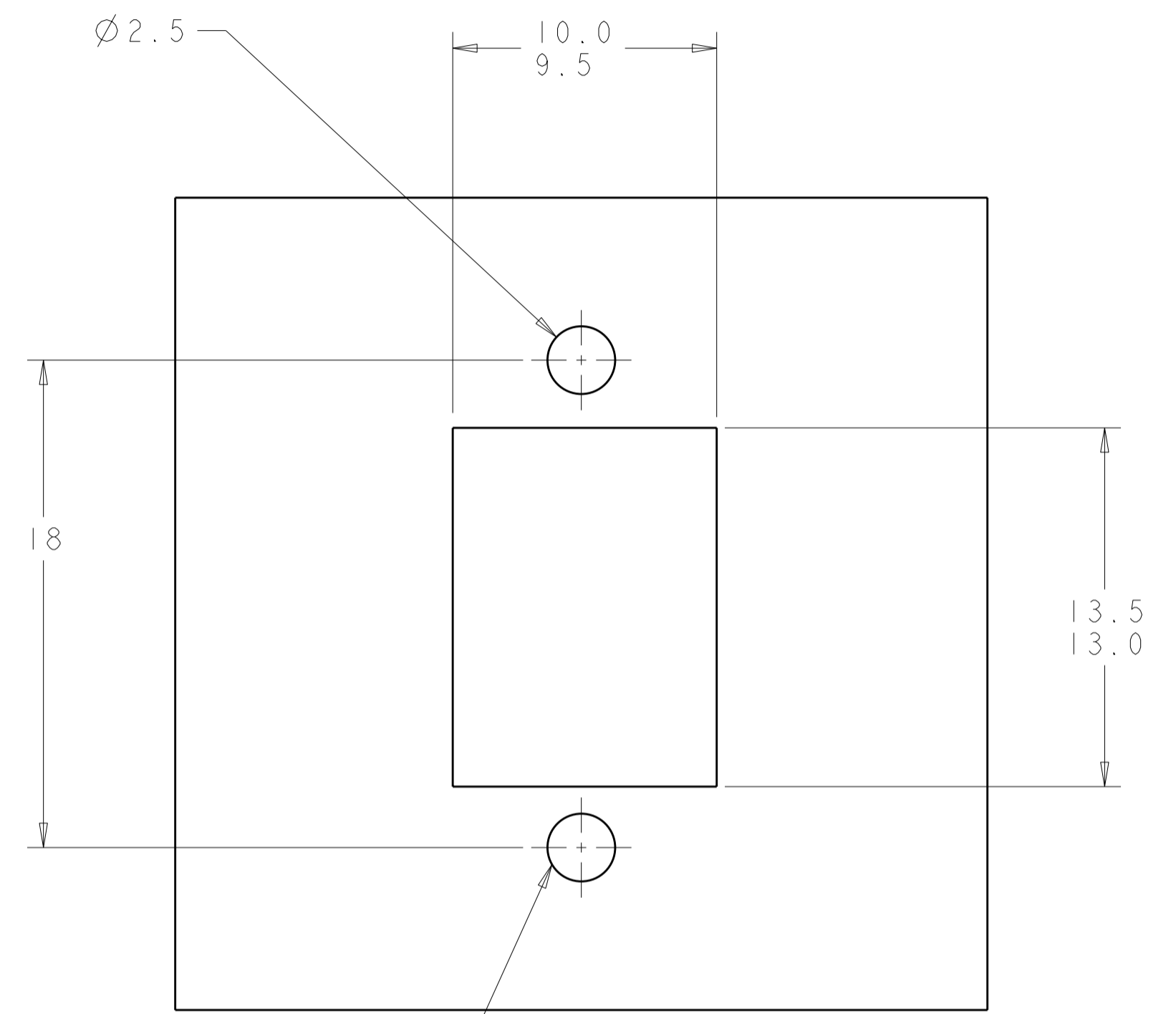


THIS DRAWING IS UNPUBLISHED. RELEASED FOR PUBLICATION  
 © COPYRIGHT BY TYCO ELECTRONICS CORPORATION. ALL INTERNATIONAL RIGHTS RESERVED.

| LOC | DIST | REVISIONS   |                       |           |         |
|-----|------|-------------|-----------------------|-----------|---------|
| P   | LTR  | DESCRIPTION | DATE                  | DWN       | APVD    |
| HG  | -    | A           | REL PER ECO-06-002305 | 20FEB2006 | DHR DHR |
|     |      | A1          | REV PER ECR-10-016231 | 09AUG2010 | IL CT   |



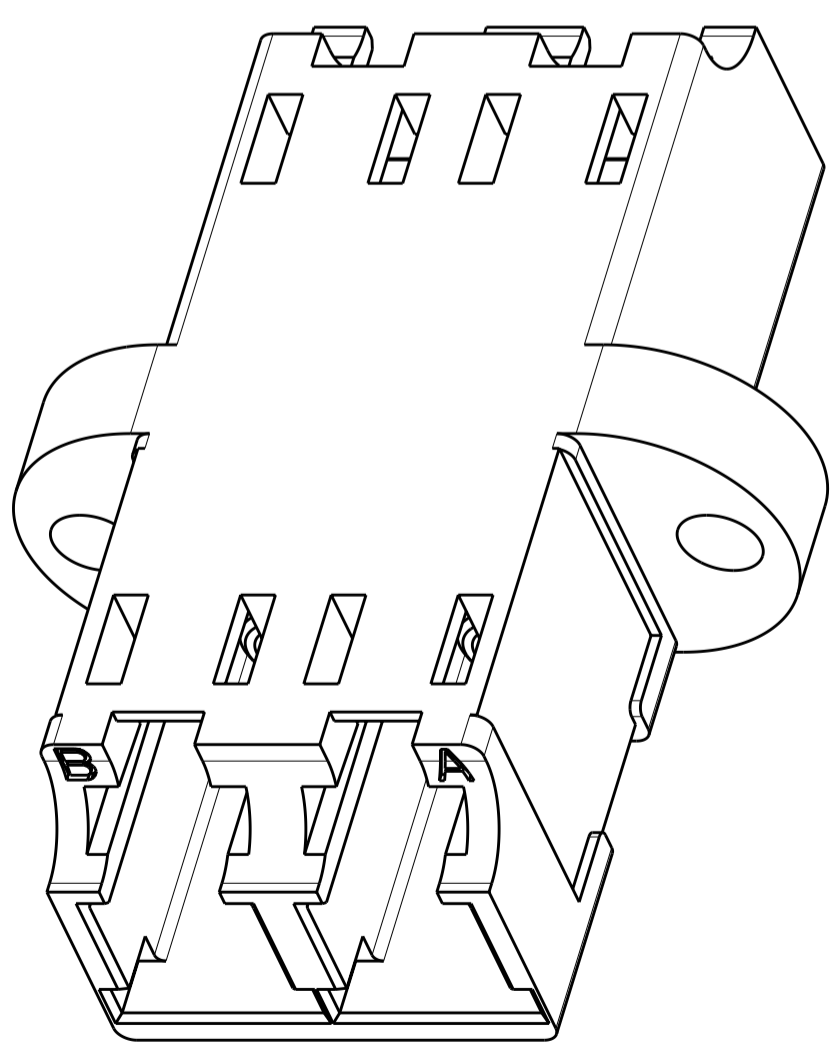
LC DUPLEX RECEPTACLE



M2-0.4 OR #2-56UNC WHEN REQUIRED

RECOMMENDED PANEL CUTOUT  
 PANEL THICKNESS 1.2-1.7.  
 SCALE 5:1

- 1 MATERIAL:  
 HOUSING: ZINC DIE CAST  
 PROTECTIVE CAPS: THERMOPLASTIC ELASTOMER  
 ALIGNMENT SLEEVE: CERAMIC
- 2 FINISH:  
 HOUSING: ELECTROLESS NICKEL OVER COPPER
- 3. PROTECTIVE CAPS (DUPLEX) ARE SUPPLIED, BUT NOT SHOWN.



1754683-1  
 PART NUMBER

|   |  |                           |  |                     |
|---|--|---------------------------|--|---------------------|
| THIS DRAWING IS A CONTROLLED DOCUMENT FOR TYCO ELECTRONICS CORPORATION. IT IS SUBJECT TO CHANGE AND THE CONTROLLING ENGINEERING ORGANIZATION SHOULD BE CONTACTED FOR THE LATEST REVISION. |  | DWN B. BRIGGS 17JUN2004   | Tyco Electronics Corporation<br>Shanghai, China        |                     |
| DIMENSIONS: mm  |  | CHK D. ROHDE 17JUN2004    | NAME ASSEMBLY, DUPLEX LC RECEPTACLE, SR-SR WITH FLANGE |                     |
| TOLERANCES UNLESS OTHERWISE SPECIFIED:<br>0 PLC ±0.1<br>1 PLC ±0.1<br>2 PLC ±<br>3 PLC ±<br>4 PLC ±<br>ANGLES ±<br>FINISH   |  | APVD B. EDWARDS 17JUN2004 | SIZE A2  | CAGE CODE C-1754683 |
| MATERIAL 1 - 2  |  | PRODUCT SPEC -            | DRAWING NO. C-1754683                                  | RESTRICTED TO -     |
|   |  | APPLICATION SPEC -        | SCALE 5:1  | SHEET 1 OF 1 REV A1 |
|   |  | WEIGHT -                  | CUSTOMER DRAWING                                       |                     |