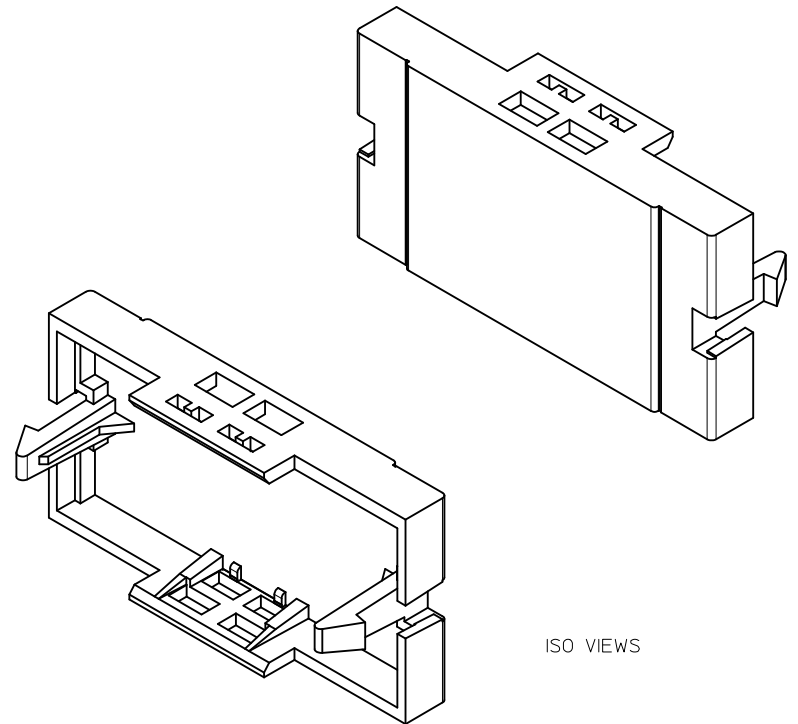
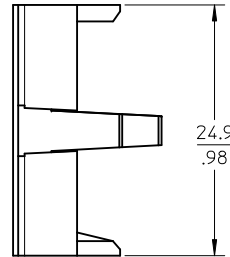
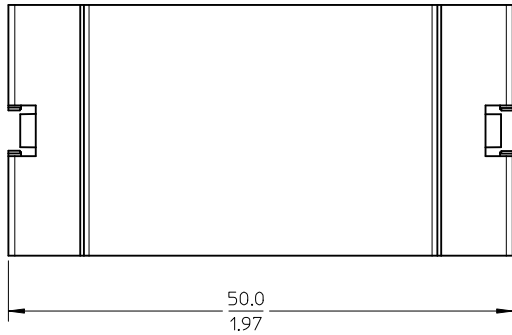
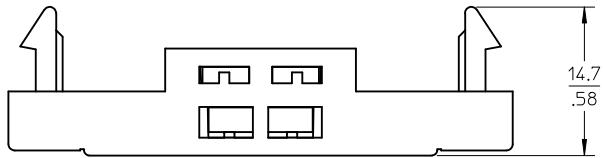


NOTES:

1. MATERIAL: POLYCARBONATE/ACRYLONITRILE-BUTADIENE-STYRENE (PC/ABS)
2. PACKAGING : 10 NUMBERS OF MODULES ARE PACKED IN A BAG.



ISO VIEWS

PART NUMBER CHART		
MPN NO.	SAP NO.	COLOR
MUS-00185-01	180070057	ALMOND
MUS-00185-02	180070058	WHITE
MUS-00185-04	180070059	BLACK
MUS-00185-08	180070060	GREY

ENTER DESCRIPTION EC NO: MT S2010-0170 DRWN:PS03 CHKD:JKUMAR APPR:JKUMAR	2010/06/01 2010/06/01 2010/06/16	DESCRIPTION REV	QUALITY SYMBOLS	GENERAL TOLERANCES (UNLESS SPECIFIED)	DIMENSION STYLE	SCALE	DESIGN UNITS	THIRD ANGLE PROJECTION		
			$\nabla=0$ $\triangle=0$	mm      INCH 4 PLACES ± --- ± --- 3 PLACES ± --- ± --- 2 PLACES ± --- ± .020 1 PLACE ± 0.51 ± --- ANGULAR ± ---°	MM/IN	2:1	METRIC	DRAWN BY: PS03      DATE: 2010/06/01 CHECKED BY: JKUMAR      DATE: 2010/06/01 APPROVED BY: JKUMAR      DATE: 2010/06/16	TITLE	TITLE: USO II MODULE BLANK - 10/BAG MOLEX INCORPORATED
			DRAFT WHERE APPLICABLE MUST REMAIN WITHIN DIMENSIONS	SEE CHART	MATERIAL NO.	DOCUMENT NO.	SHEET NO.			
			SIZE: A3	THIS DRAWING CONTAINS INFORMATION THAT IS PROPRIETARY TO MOLEX INCORPORATED AND SHOULD NOT BE USED WITHOUT WRITTEN PERMISSION						