

# Spezifikation für Freigabe / specification for release

Kunde / customer : \_\_\_\_\_

Artikelnummer / part number : **748323024**

LF

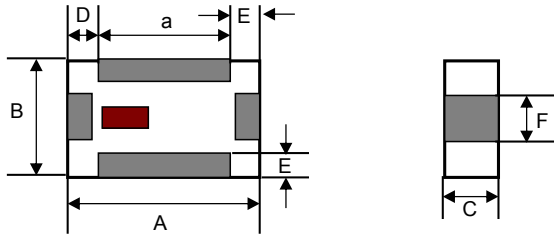


Bezeichnung : **Bandpassfilter WE-BPF**

description : **Bandpass-Filter WE-BPF**

DATUM / DATE : 2004-10-11

## A Mechanische Abmessungen / dimensions :



	0805	
A	<b>2,0 ± 0,15</b>	mm
B	<b>1,25 ± 0,1</b>	mm
C	<b>0,95 ± 0,1</b>	mm
D	<b>0,35 ± 0,15</b>	mm
E	<b>0,25 ± 0,15</b>	mm
F	<b>0,3 ± 0,15</b>	mm
a	<b>1,3 ± 0,15</b>	mm

## B Elektrische Eigenschaften / electrical properties :

Eigenschaften / properties	Testbedingungen / test conditions		Wert / value	Einheit /unit	tol.
Frequenzbereich/ frequency range	<b>BW</b>	f	<b>2400...2500</b>	MHz	
Einfügedämpfung/ insertion loss	<b>@ BW</b>	IL	<b>2,2</b>	dB	<b>max.</b>
VSWR	<b>@ BW</b>		<b>2,0</b>		<b>max.</b>
Dämpfung I / attenuation I	<b>1200 ... 1300 MHz</b>	A	<b>25</b>	dB	<b>min.</b>
Dämpfung II / attenuation II	<b>2000 MHz</b>	A	<b>10</b>	dB	<b>min.</b>
Dämpfung III/ attenuation III	<b>3000 MHz</b>	A	<b>12</b>	dB	<b>min.</b>
Dämpfung IV/ attenuation IV	<b>3600 ... 3800 MHz</b>	A	<b>30</b>	dB	<b>min.</b>
Dämpfung V/ attenuation V	<b>4800 ... 5000 MHz</b>	A	<b>34</b>	dB	<b>min.</b>

## C Abbildung/ appearance:



## D Prüfgeräte / test equipment:

Agilent 8719ES

## E Testbedingungen / test conditions:

Luftfeuchtigkeit / humidity: 50 ~ 70%

Umgebungstemperatur / temperature: 20°C ~ 25°C

## F Werkstoffe & Zulassungen / material & approvals

Basismaterial / base material: Keramik / ceramic

Kontakt Material / contact plating: Ag + Ni + Sn

## G Eigenschaften / general specifications :

Betriebstemp. / operating temperature: -40°C ~ +85°C

Lagerbedingung / storage conditions: 15°C ~ 35°C

45 ~ 75% RH

Leistung/ power capacity : 500 mW max.

Freigabe erteilt / general release:	Kunde / customer			
Datum / date	Unterschrift / signature			
	Würth Elektronik			
Geprüft / checked	Kontrolliert / approved		AWe	Version 1
			Name	Änderung / modification
				Datum/date

## Würth Elektronik eiSos GmbH & Co.KG

D-74638 Waldenburg · Max-Eyth-Str. 1 · Germany · Telefon (+49) (0) 7942 - 945 - 0 · Telefax (+49) (0) 7942 - 945 - 400  
http://www.we-online.de

# Spezifikation für Freigabe / specification for release

Kunde / customer : \_\_\_\_\_

Artikelnummer / part number : **748323024**

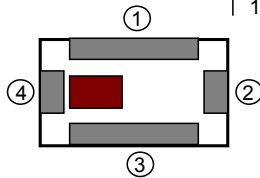
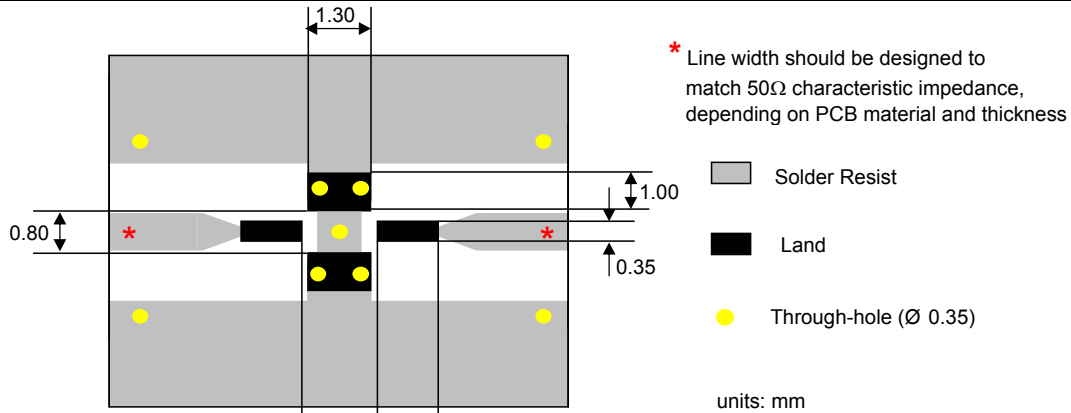
LF



Bezeichnung : **Bandpassfilter WE-BPF**  
 description : **Bandpass-Filter WE-BPF**

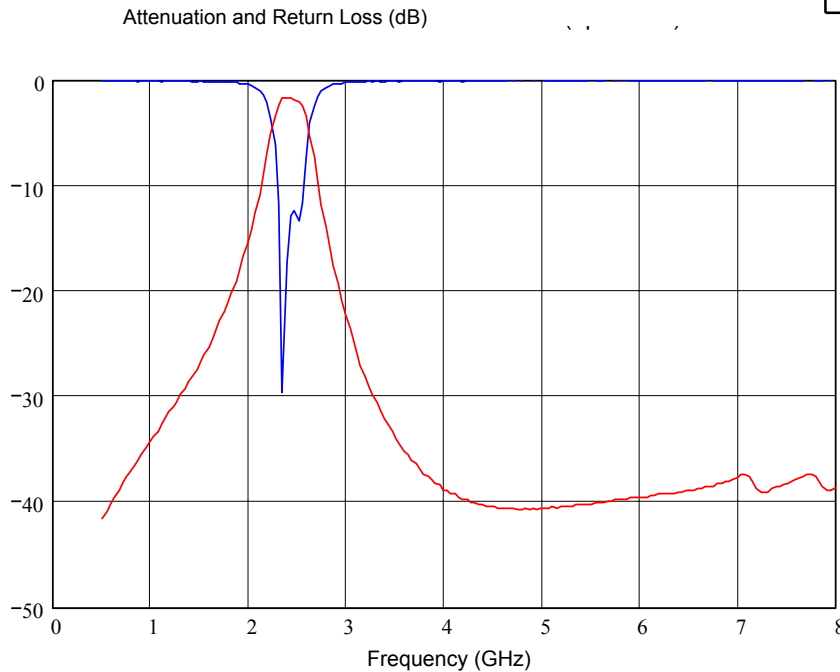
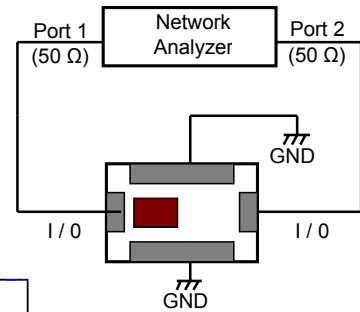
DATUM / DATE : 2004-10-11

## H Lötadempfehlung / solder pads:



No.	Terminal Name	No.	Terminal Name
①	GND	③	GND
②	OUT	④	IN

## K Messdiagramm/ measuring diagram:



This electronic component is designed and developed with the intention for use in general electronics equipments. Before incorporating the components into any equipments in the field such as aerospace, aviation, nuclear control, submarine, transportation, (automotive control, train control, ship control), transportation signal, disaster prevention, medical, public information network etc. where higher safety and reliability are especially required or if there is possibility of direct damage or injury to human body. In addition, even electronic component in general electronic equipments, when us electrical circuits that require high safety, reliability functions or performance, the sufficient reliability evaluation-check for the safety must be performed before use. It is essential to give consideration when to install a protective circuit at the design stage

**Würth Elektronik eiSos GmbH & Co.KG**

D-74638 Waldenburg · Max-Eyth-Str. 1 · Germany · Telefon (+49) (0) 7942 - 945 - 0 · Telefax (+49) (0) 7942 - 945 - 400  
<http://www.we-online.de>

# Spezifikation für Freigabe / specification for release

Kunde / customer : \_\_\_\_\_

Artikelnummer / part number : **748323024**

LF

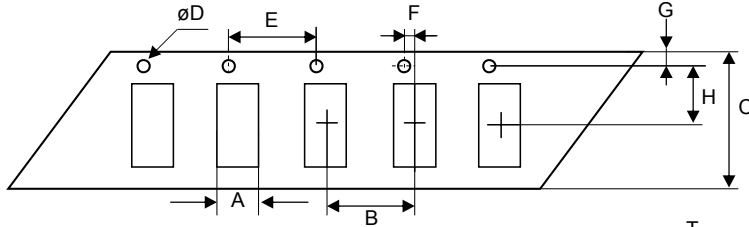


Bezeichnung : **Bandpassfilter WE-BPF**

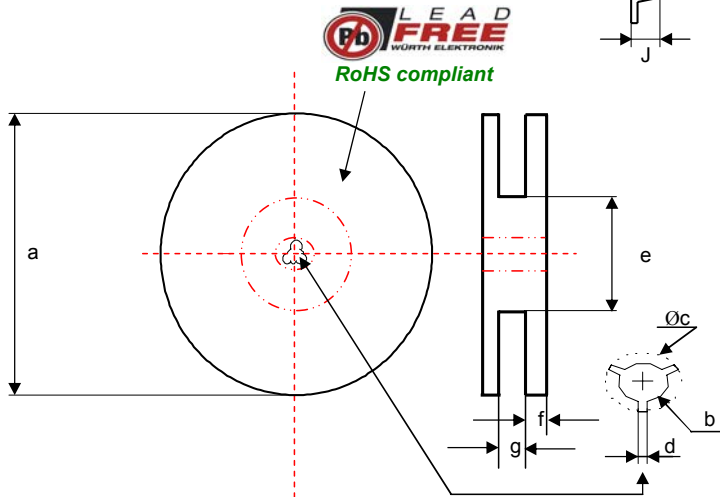
description : **Bandpass-Filter WE-BPF**

DATUM / DATE : 2004-10-11

## I Rollenspezifikation / tape and reel specification :

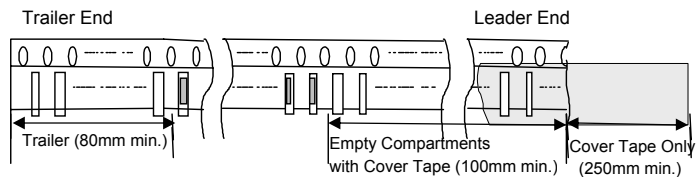
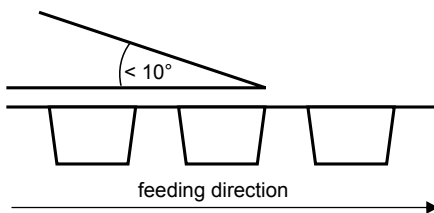


Gurtspezifikation / Tape specification:		
A	<b>1,6 ± 0,1</b>	mm
B	<b>4,0 ± 0,1</b>	mm
C	<b>8,0 ± 0,2</b>	mm
D	<b>1,5 +0,1/-0,0</b>	mm
E	<b>4,0 ± 0,1</b>	mm
F	<b>2,0 ± 0,1</b>	mm
G	<b>1,75 ± 0,1</b>	mm
H	<b>3,5 ± 0,1</b>	mm
I	<b>2,4 ± 0,1</b>	mm
J	<b>1,3 max.</b>	mm
T	<b>0,2 ± 0,05</b>	mm



Rollenspezifikation / Reel specification:		
a	<b>178,0 ± 2,0</b>	mm
b	<b>13,0 ± 0,3</b>	mm
c	<b>21,8 ± 0,8</b>	mm
d	<b>2,0 ± 0,5</b>	mm
e	<b>60,0 ± 0,5</b>	mm
f	<b>1,2 ± 2,0</b>	mm
g	<b>9,0 ± 0,3</b>	mm

The force for tearing off cover tape is  
10 to 130 grams in arrow direction



Freigabe erteilt / general release:	<b>Kunde / customer</b>			
.....	.....			
Datum / date	Unterschrift / signature			
	<b>Würth Elektronik</b>			
.....	.....			
Geprüft / checked	Kontrolliert / approved	AWe	Version 1	04-10-11
		Name	Änderung / modification	Datum/date

### Würth Elektronik eiSos GmbH & Co.KG

D-74638 Waldenburg · Max-Eyth-Str. 1 · Germany · Telefon (+49) (0) 7942 - 945 - 0 · Telefax (+49) (0) 7942 - 945 - 400  
http://www.we-online.de