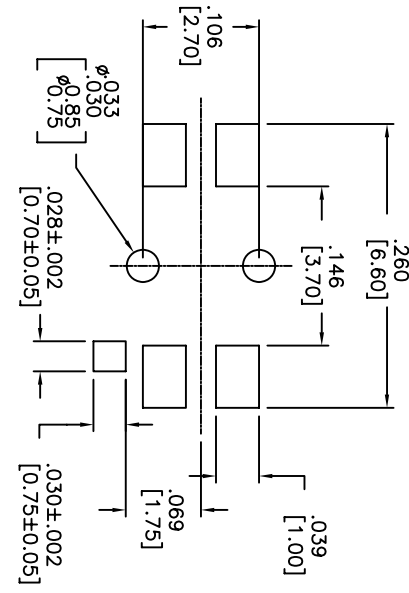
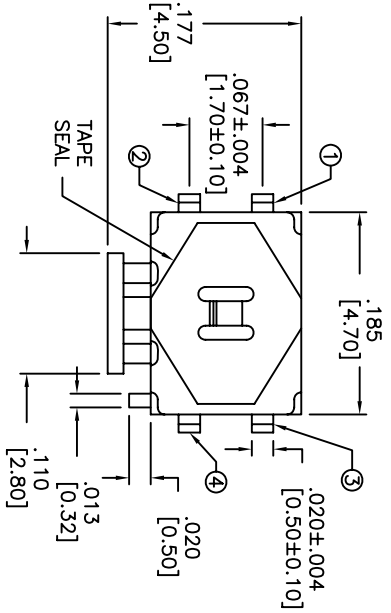
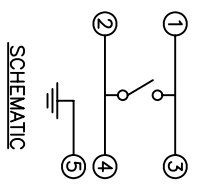
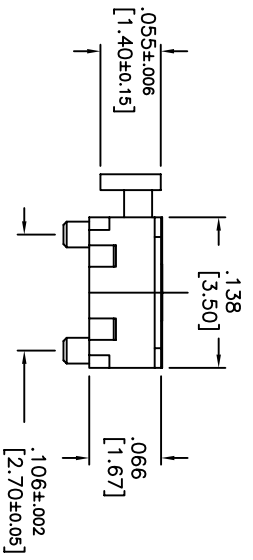
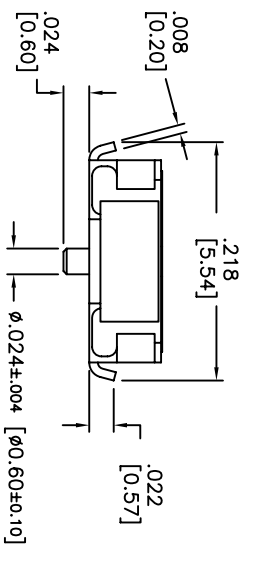


THIS DOCUMENT IS THE PROPERTY OF APDM COMPONENTS AND SHALL NOT BE COPIED, REPRODUCED, DISCLOSED OR SALE WITHOUT PERMISSION OF A DULY AUTHORIZED REPRESENTATIVE OF APDM COMPONENTS INC.



P.C. LAYOUT
UNLESS OTHERWISE SPECIFIED
P.C. TOLERANCES ARE ±.004 [0.10]



DATE	SYM	REVISION RECORD	DWN.	CK.

DESCRIPTION: SPST, MINIATURE SIDE PUSH SWITCH WITH TAPE SEAL, GULLWING SURFACE MOUNT AND GROUNDING TERMINAL.

SPECIFICATIONS:

CONTACT RATING: 50mA @ 12VDC
INSULATION RESISTANCE: 100 MOHMS MIN. (500VDC)

DIELECTRIC STRENGTH: 250VAC FOR 1 MINUTE
CONTACT RESISTANCE: 100 MOHMS MAX.
SHOCK RESISTANCE: 50G PER METHOD 213B.
MIL-STD-202F

VIBRATION RESISTANCE: PASSES METHOD 201A.
MIL-STD-202F
ELECTRICAL LIFE:
100,000 CYCLES MIN.
OPERATING FORCE: 220 ±98 gf
TRAVEL: .012 ±.006 [0.30 ±0.15]

OPERATING TEMP. RANGE: -25°C TO +70°C
STORAGE TEMP. RANGE: -30°C TO +80°C
MATERIALS
COVER: STAINLESS STEEL.
CONTACT DISK: STAINLESS STEEL.
TERMINAL: BRASS WITH SILVER PLATING.
BASE: LCP HIGH-TEMP. THERMOPLASTIC.
COLOR: BLACK.
STEM: LCP HIGH-TEMP. THERMOPLASTIC,
COLOR: BLACK.

TAPE SEAL: TEFLON
ROHS COMPLIANT
LEAD FREE PROCESS COMPATIBLE
HAND SOLDERING: 30 WATT IRON AT 350°C
FOR 5 SECONDS
IR REFLOW: 255°C MAX

<p>Q.A. INSECT: DESIGNATES CRITICAL DIMENSION</p>				<p>63 Neck Rd. 01835 Haverhill, MA Phone: 978-372-5554</p>		<p>PRN: CJD BR: PJD</p>	
<p>TOLERANCES (UNLESS OTHERWISE SPECIFIED) X.XX±.001 [0.025] .XXX±.0008 [0.20] .XXX±.0008 [0.02] ANGLE = 30.5°</p>		<p>TITLE TINY SIDE PUSH SWITCH</p>		<p>SHEET 1 OF 1</p>		<p>SCALE 9:1</p>	
<p>DO NOT SCALE DRAWING</p>		<p>DATE 1/11/07</p>		<p>DRAWING NO. APTCLGTV</p>		<p>REV A</p>	