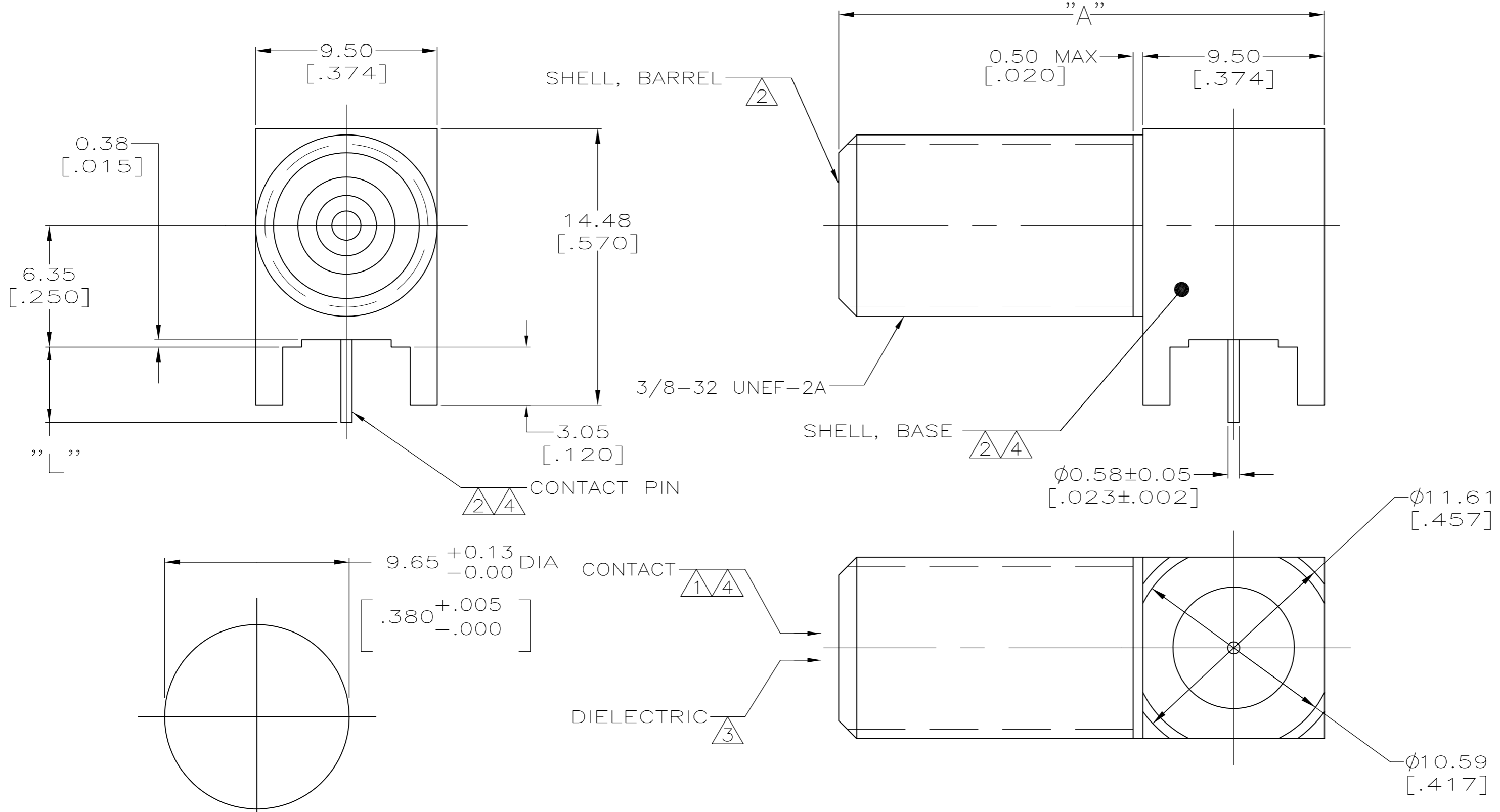


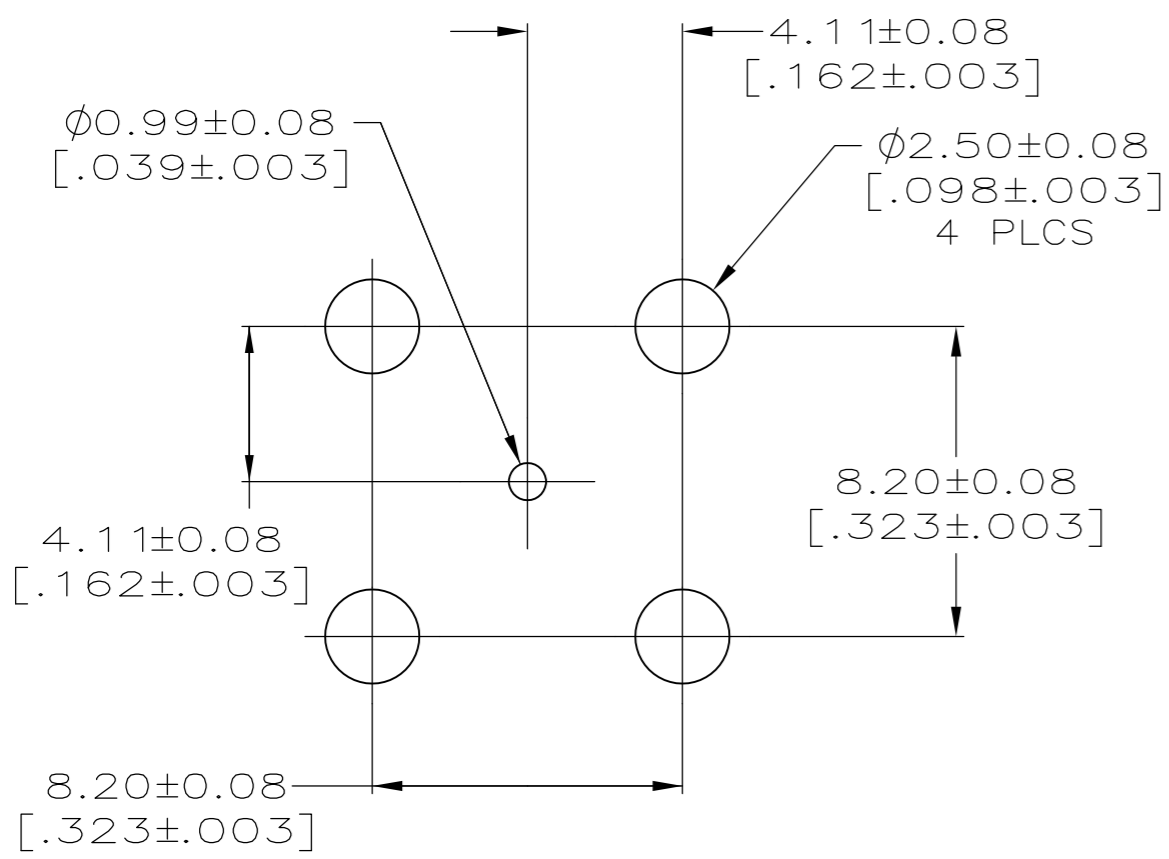
THIS DRAWING IS UNPUBLISHED. RELEASED FOR PUBLICATION
 © COPYRIGHT - By - ALL RIGHTS RESERVED.

LOC	DIST	REVISIONS					
		P	LTR	DESCRIPTION	DATE	DWN	APVD
AJ	00		A	REVISED PER ECO 06-016786	1/22/2007	DW	KW
			B	REVISED PER ECO-11-025304	19DEC2011	TITAN	MARTIN
			C	REVISED PER ECO-12-006151	29MAR2012	TITAN	MARTIN



- 1 PHOSPHOR BRONZE.
- 2 BRASS.
- 3 PTFE.
- 4 TIN PLATE 2.54 μm [.000100] MINIMUM THICK.
- 5 NICKEL PLATE 2.54 μm [.000100] MINIMUM THICK.
- 6. CONNECTOR WILL ACCEPT CENTER CONDUCTOR DIAMETER RANGE OF 0.51 [.020] - 1.19 [.047].
- 7 BRIGHT GOLD PLATE, 0.13 μm THICK (.000005) MIN THK.

SUGGESTED PANEL CUTOUT



PCB CONFIGURATION

OBSOLETE	3.48 [.137] MAX	25.40 [1.000]	5415302-4
OBSOLETE	3.48 [.137] MAX	25.40 [1.000]	5415302-3
OBSOLETE	3.94±0.51 [.155±.020]	31.75 [1.250]	5415302-2
OBSOLETE	3.94±0.51 [.155±.020]	25.40 [1.000]	5415302-1

FINISH (SHELL, BARREL)		L	A	PART NUMBER
THIS DRAWING IS A CONTROLLED DOCUMENT.		DWN G. ATTADIA - DOCK5 01FEB2005	TE Connectivity	
DIMENSIONS: mm [INCHES]		CHK J. HAVENER 01FEB2005	APVD K. WEIDNER 01FEB2005	
TOLERANCES UNLESS OTHERWISE SPECIFIED:		NAME JACK, PCB, RIGHT ANGLE, F SERIES		
0 PLC ± -		PRODUCT SPEC 108-1755		
1 PLC ± -		APPLICATION SPEC		
2 PLC ± -		SIZE A2		
3 PLC ± 0.20 [.008]		CAGE CODE 00779		
4 PLC ± -		DRAWING NO C=5415302		
ANGLES ± 1°		RESTRICTED TO		
MATERIAL		WEIGHT -		SCALE 5:1
FINISH		SHEET 1 of 1		REV C
1 2 3		CUSTOMER DRAWING		
4 5 7				