

TO PIDSA HQ

DELIVERY SPECIFICATIONS

Orderer (Customer) Part Number \_\_\_\_\_

Panasonic Global Part Number AN48836B-NL

Vendor Issue Number 1203003

Confirmation of Security Control

We confirm and certify that the products of these specifications shall not be supplied so as to be used for Military Purpose (defined herein below). "Military Purpose" in this statement means the design, development, manufacture, storage or use of any weapons, including without limitation nuclear weapons, biological weapons, chemical weapons and missiles.

ORDERER (CUSTOMER)

Receipt Date:    /    /

VENDOR

"Changes in the description of Delivery Specifications" and "changes that affect performance, quality or environment" are implemented according to advance consultation.

パナソニック株式会社
2012. 3. 12
デバイス社 半導体事業グループ 汎用LSI BU

Issuance Date:    /    /

SMART Puniness distraction  
S423141-03#01

Request for your special attention and precautions in using the technical information and semiconductors described in this book

(1) If any of the products or technical information described in this book is to be exported or provided to non-residents, the laws and regulations of the exporting country, especially, those with regard to security export control, must be observed.

(2) The technical information described in this book is intended only to show the main characteristics and application circuit examples of the products. No license is granted in and to any intellectual property right or other right owned by Panasonic Corporation or any other company. Therefore, no responsibility is assumed by our company as to the infringement upon any such right owned by any other company which may arise as a result of the use of technical information described in this book.

(3) The products described in this book are intended to be used for general applications (such as office equipment, communications equipment, measuring instruments and household appliances), or for specific applications as expressly stated in this book.

Consult our sales staff in advance for information on the following applications:

- Special applications (such as for airplanes, aerospace, automotive equipment, traffic signaling equipment, combustion equipment, life support systems and safety devices) in which exceptional quality and reliability are required, or if the failure or malfunction of the products may directly jeopardize life or harm the human body.

It is to be understood that our company shall not be held responsible for any damage incurred as a result of or in connection with your using the products described in this book for any special application, unless our company agrees to your using the products in this book for any special application.

(4) When designing your equipment, comply with the range of absolute maximum rating and the guaranteed operating conditions (operating power supply voltage and operating environment etc.). Especially, please be careful not to exceed the range of absolute maximum rating on the transient state, such as power-on, power-off and mode-switching. Other-wise, we will not be liable for any defect which may arise later in your equipment.

Even when the products are used within the guaranteed values, take into the consideration of incidence of break down and failure mode, possible to occur to semiconductor products. Measures on the systems such as redundant design, arresting the spread of fire or preventing glitch are recommended in order to prevent physical injury, fire, social damages, for example, by using the products.

(5) Comply with the instructions for use in order to prevent breakdown and characteristics change due to external factors (ESD, EOS, thermal stress and mechanical stress) at the time of handling, mounting or at customer's process. When using products for which damp-proof packing is required, satisfy the conditions, such as shelf life and the elapsed time since first opening the packages.

(6) This book may be not reprinted or reproduced whether wholly or partially, without the prior written permission of our company.

---

Reprint from WARNING LABEL STANDARDS SC3-11-00007

This delivery specifications may include old company names such as "Matsushita Electronics Corporation" or "Semiconductor Company, Matsushita Electric Industrial Co., Ltd." "Semiconductor Company, Panasonic Corporation" Please interpret these old company names as Industrial Devices Company, Panasonic Corporation" as of January 1, 2012.

Regulations No.	IC3F5610	Total Pages	Page
		14	1

# Product Standards

Part No.	AN48836B
Package Code No.	SMINI-5DE

Semiconductor Company  
Panasonic Corporation

Established by	Applied by	Checked by	Prepared by
<i>H. Shidomka</i>	M.Hiramatsu	N.Fujita	T.Yamasaki

2011-03-11	
Established	Revised

	<h1>Product Standards</h1>	<b>AN48836B</b>	
		Total Pages	Page
		14	2

## Contents

■ Overview	.....	3
■ Features	.....	3
■ Applications	.....	3
■ Package	.....	3
■ Type	.....	3
■ Block Diagram	.....	4
■ Pin Descriptions	.....	5
■ Absolute Maximum Ratings	.....	6
■ Operating Supply Voltage Range	.....	6
■ Allowable Voltage Range	.....	6
■ Electrical Characteristics	.....	7
■ Electrical Characteristics (Reference values for design)	.....	8
■ Test Circuit Diagram	.....	9
■ Technical Data	.....	11
■ Usage Notes	.....	12
■ Caution on Use of Hall ICs	.....	13

2011-03-11		
Established	Revised	

	<b>Product Standards</b>	<b>AN48836B</b>	
		Total Pages	Page
		14	3

# AN48836B

1.8 V Supply voltage, Low current consumption, high sensitivity CMOS Hall IC  
Operates in both magnetic field directions

## ■ Overview

AN48836B is a Hall IC (a magnetic sensor) for 1.8 V supply voltage by using Bi-CMOS technology.

In this Hall IC, a Hall element, a offset cancel circuit, an amplifier circuit, a sample and hold circuit, a Schmidt circuit, and output stage FET are integrated on a single chip housed in a small package by IC technique.

## ■ Features

- High sensitivity (6 mT max) due to offset cancel circuit and a new sample and hold circuit.
- Small current by using intermittent action. (average supply current : 3  $\mu$ A typ. sampling cycle : 42 ms typ at  $V_{CC} = 1.8$  V)
- Small package (SMD)
- CMOS inverter output (no pull-up resistance)

## ■ Applications

- Magneto-electric Conversion Switch.

## ■ Package

- 5 pin Plastic Small Surface Mount Package (SMINI Type).

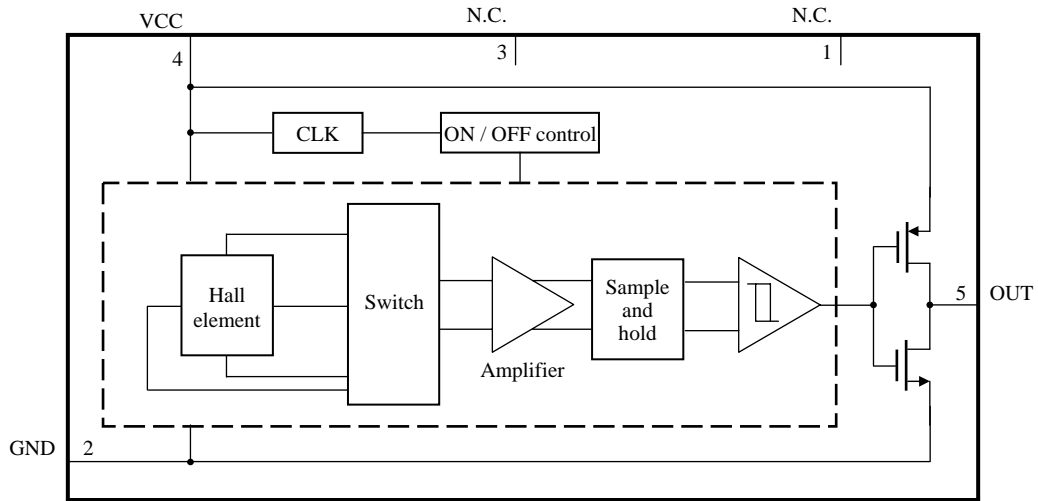
## ■ Type

- Bi-CMOS IC.

2011-03-11		
Established	Revised	

	Product Standards	AN48836B	
		Total Pages	Page
		14	4

■ Block Diagram



Note) This block diagram is for explaining functions. Part of the block diagram may be omitted, or it may be simplified.

2011-03-11		
Established	Revised	

	<h1>Product Standards</h1>	<b>AN48836B</b>	
		Total Pages	Page
		14	5

■ Pin Descriptions

Pin No.	Pin name	Type	Description
1	N.C.	—	N.C.
2	GND	Ground	Ground pin
3	N.C.	—	N.C.
4	VCC	Power supply	Supply pin
5	OUT	Output	Output pin

2011-03-11		
Established	Revised	

	<h1>Product Standards</h1>	<h2>AN48836B</h2>	
		Total Pages	Page
		14	6

### ■ Absolute Maximum Ratings

Note) Absolute maximum ratings are limit values which do not result in damages to this IC, and IC operation is not guaranteed at these limit values.

A No.	Parameter	Symbol	Rating	Unit	Notes
1	Supply voltage	$V_{CC}$	4.0	V	*1
2	Supply current	$I_{CC}$	5	mA	—
3	Power dissipation	$P_D$	48	mW	*2
4	Operating ambient temperature	$T_{opr}$	-40 to +85	°C	*3
5	Storage temperature	$T_{stg}$	-55 to +125	°C	*3

Notes) \*1 : The values under the condition not exceeding the above absolute maximum ratings and the power dissipation.

\*2 : The power dissipation shown is the value at  $T_a = 85^\circ\text{C}$  for the independent (unmounted) IC package without a heat sink.

When using this IC, refer to the  $P_D$ - $T_a$  diagram of the package standard and design the heat radiation with sufficient margin so that the allowable value might not be exceeded based on the conditions of power supply voltage, load, and ambient temperature.

\*3 : Except for the power dissipation, operating ambient temperature, and storage temperature, all ratings are for  $T_a = 25^\circ\text{C}$ .

### ■ Operating Supply Voltage Range

Parameter	Symbol	Range	Unit	Notes
Supply voltage range	$V_{CC}$	1.65 to 3.6	V	*1

Note) \*1: The values under the condition not exceeding the above absolute maximum ratings and the power dissipation.

### ■ Allowable Voltage Range

Notes) • Allowable current and voltage ranges are limit ranges which do not result in damages to this IC, and IC operation is not guaranteed within these limit ranges.

• Voltage values, unless otherwise specified, are with respect to GND.

• Do not apply external currents or voltages to any pin not specifically mentioned.

Pin No.	Pin name	Range	Unit	Note
2	GND	0	V	—
5	OUT	-0.3 to ( $V_{CC} + 0.3$ )	V	*1

Note) \*1 : ( $V_{CC} + 0.3$ ) V  $\leq$  4.0 V.

2011-03-11		
Established	Revised	



	<h1>Product Standards</h1>	<b>AN48836B</b>	
		Total Pages	Page
		14	7

■ Electrical Characteristics at  $V_{CC} = 1.8\text{ V}$

Note)  $T_a = 25^\circ\text{C} \pm 2^\circ\text{C}$  unless otherwise specified.

B No.	Parameter	Symbol	Test Circuit	Conditions	Limits			Unit	notes
					Min	Typ	Max		
1	Operating magnetic flux density H → L S	BHLS	1	—	—	4.0	6.0	mT	*1
2	Operating magnetic flux density H → L N	BHLN	1	—	-6.0	-4.0	—	mT	*1
3	Operating magnetic flux density L → H S	BLHS	1	—	0.5	3.0	—	mT	*1
4	Operating magnetic flux density L → H N	BLHN	1	—	—	-3.0	-0.5	mT	*1
5	Output voltage Low	$V_{OL}$	2	$I_O = 2\text{ mA}$ , $B = -6.0\text{ mT} / 6.0\text{ mT}$	—	0.1	0.3	V	—
6	Output voltage High	$V_{OH}$	3	$I_O = -2\text{ mA}$ , $B = -0.5\text{ mT} / 0.5\text{ mT}$	1.5	1.7	—	V	—
7	Average supply current	$I_{CC}$ (AVE)	4	—	—	3	5	$\mu\text{A}$	*2

2011-03-11		
Established	Revised	

<h1>Product Standards</h1>		<h2>AN48836B</h2>	
		Total Pages	Page
		14	8

■ **Electrical Characteristics (Reference values for design) at  $V_{CC} = 1.8\text{ V}$**

Note)  $T_a = 25^\circ\text{C} \pm 2^\circ\text{C}$  unless otherwise specified.

The characteristics listed below are reference values derived from the design of the IC and are not guaranteed by inspection.

If a problem does occur related to these characteristics, we will respond in good faith to user concerns.

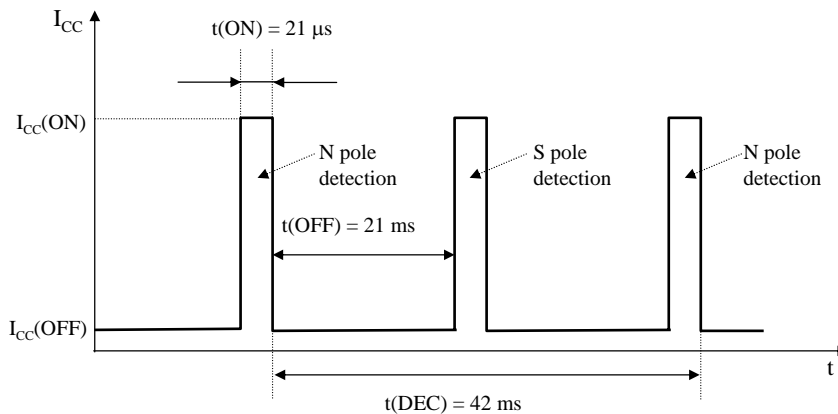
B No.	Parameter	Symbol	Test Circuit	Conditions	Reference Values			Unit	Notes
					Min	Typ	Max		
8	Hysteresis width (S)	BWS	1	—	—	1.0	—	mT	—
9	Hysteresis width (N)	BWN	1	—	—	1.0	—	mT	—
10	Active supply current	$I_{CC}(\text{ON})$	4	—	—	—	4.5	mA	*3
11	Standby supply current	$I_{CC}(\text{OFF})$	4	—	—	—	4	$\mu\text{A}$	*3
12	Active time	$t(\text{ON})$	5	—	5	21	35	$\mu\text{s}$	*3
13	Standby time	$t(\text{OFF})$	5	—	5	21	35	ms	*3
14	Interval of decision	$t(\text{DEC})$	5	—	—	42	—	ms	*3

Notes) \*1: Symbol BHLS shows the operating magnetic flux density at which output level is changed from high to low at the South pole magnetic field environment, and Symbol BLHS shows the operating magnetic flux density at which output level is changed from low to high at the South pole magnetic field environment. Symbol BHLN shows the operating magnetic flux density at which output level is changed from high to low at the North pole magnetic field environment, and Symbol BLHN shows the operating magnetic flux density at which output level is changed from low to high at the North pole magnetic field environment.

\*2:  $I_{CC}(\text{AVE}) = \{I_{CC}(\text{ON}) \times t(\text{ON}) + I_{CC}(\text{OFF}) \times t(\text{OFF})\} / \{t(\text{ON}) + t(\text{OFF})\}$ .

\*3: Power Supply Timing Chart

Normal operation starts approx. 42 ms after power supply is turned on.  
It is unsure about the first detection is the South pole or the North pole.



2011-03-11		
Established	Revised	

	<h1>Product Standards</h1>	<h2>AN48836B</h2>	
		Total Pages	Page
		14	9

■ Test Circuit Diagram

1. Test Circuit 1 BHLS, BLHS, BHLN, BLHN

Change the applied magnetic flux density and measure the magnetic flux density when the output level changes to Low from High, or to High from Low.

Note) Operating flux density "BHLS", "BLHS", "BHLN", "BLHN" and Hysteresis width, "BWS", "BWN" are defined as shown in Figure 2

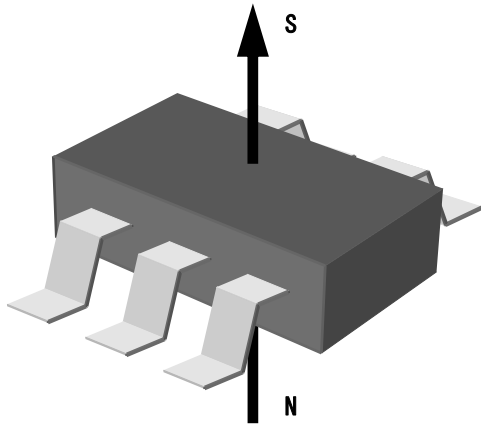
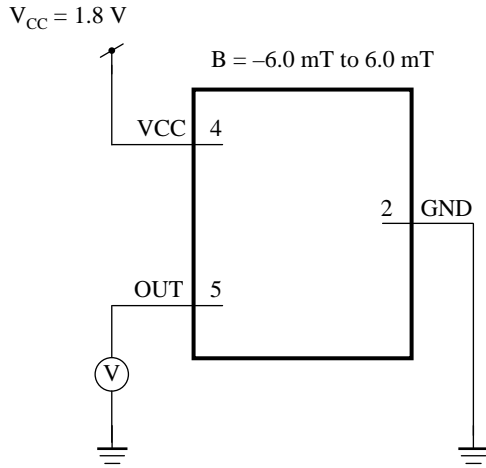


Figure1. Direction of applied magnetic field

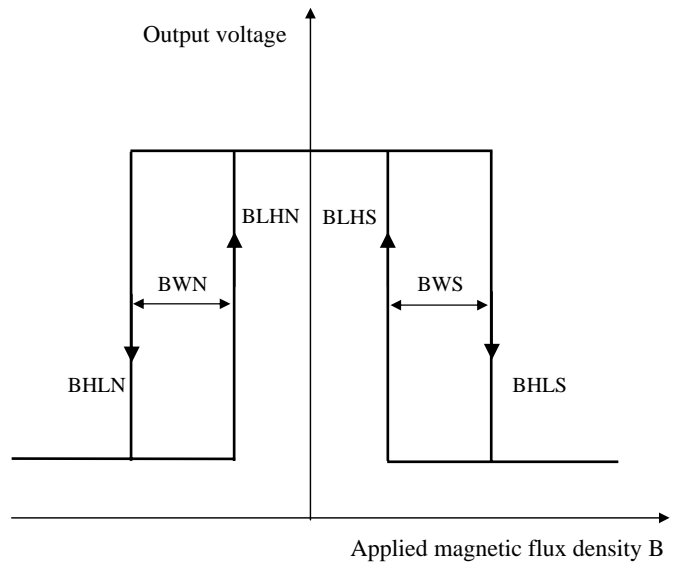
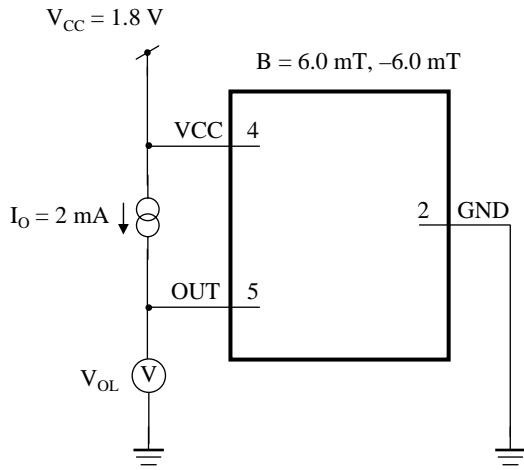


Figure2. Operating magnetic flux density

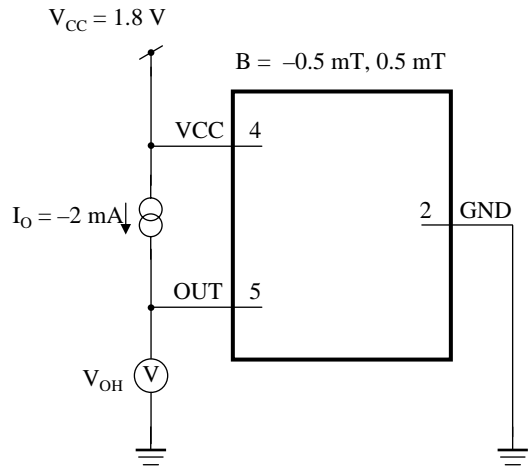
2011-03-11		
Established	Revised	

■ Test Circuit Diagram (continued)

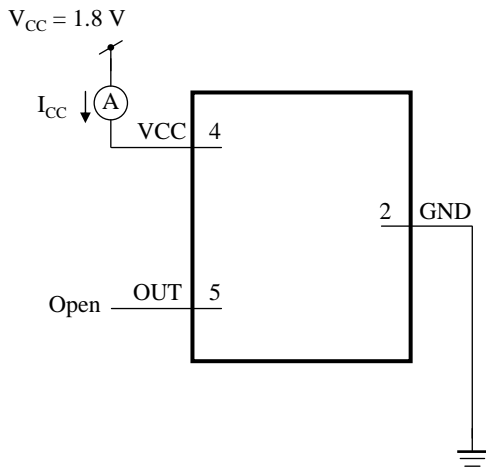
2. Test Circuit 2  $V_{OL}$



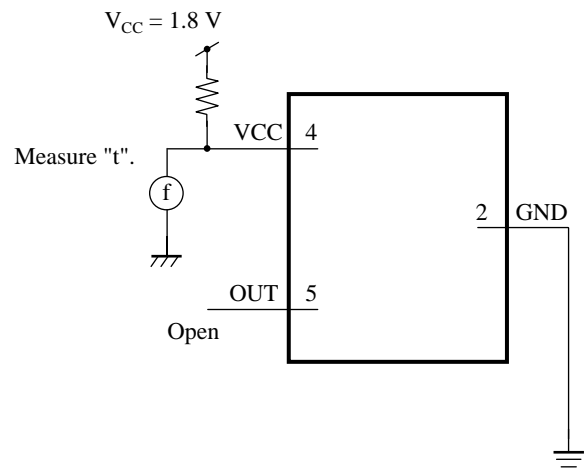
3. Test Circuit 3  $V_{OH}$



4. Test Circuit 4  $I_{CC(ON)}$ ,  $I_{CC(OFF)}$ ,  $I_{CC(AVE)}$



5. Test Circuit 5  $t(ON)$ ,  $t(OFF)$ ,  $t(DEC)$



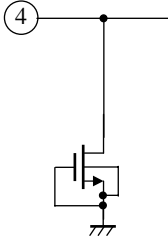
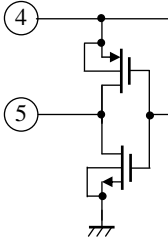
2011-03-11		
Established	Revised	

	<h1>Product Standards</h1>	<b>AN48836B</b>	
		Total Pages	Page
		14	11

■ **Technical Data**

- I/O block circuit diagrams and pin function descriptions

Note) The characteristics listed below are reference values derived from the design of the IC and are not guaranteed.

Pin No.	Waveform and voltage	Internal circuit	Impedance	Description
2	DC Voltage (0 V)	—	$0\ \Omega$	Ground pin [GND]
4	DC Voltage (0 V to 3.6 V)		Hi-Z	Supply pin [VCC]
5	Pulse Output (0 V to 3.6 V)		Hi-Z	Positive output pin [OUT]

2011-03-11		
Established	Revised	

	<h1>Product Standards</h1>	<h2>AN48836B</h2>	
		Total Pages	Page
		14	12

### ■ Usage Notes

#### • Special attention and precaution in using

1. This IC is intended to be used for general electronic equipment.

Consult our sales staff in advance for information on the following applications:

- Special applications in which exceptional quality and reliability are required, or if the failure or malfunction of this IC may directly jeopardize life or harm the human body.
- Any applications other than the standard applications intended.
  - (1) Space appliance (such as artificial satellite, and rocket)
  - (2) Traffic control equipment (such as for automobile, airplane, train, and ship)
  - (3) Medical equipment for life support
  - (4) Submarine transponder
  - (5) Control equipment for power plant
  - (6) Disaster prevention and security device
  - (7) Weapon
  - (8) Others : Applications of which reliability equivalent to (1) to (7) is required

It is to be understood that our company shall not be held responsible for any damage incurred as a result of or in connection with your using the IC described in this book for any special application, unless our company agrees to your using the IC in this book for any special application.

2. Pay attention to the direction of LSI. When mounting it in the wrong direction onto the PCB (printed-circuit-board), it might smoke or ignite.
3. Pay attention in the PCB (printed-circuit-board) pattern layout in order to prevent damage due to short circuit between pins. In addition, refer to the Pin Description for the pin configuration.
4. Perform a visual inspection on the PCB before applying power, otherwise damage might happen due to problems such as a solder-bridge between the pins of the semiconductor device. Also, perform a full technical verification on the assembly quality, because the same damage possibly can happen due to conductive substances, such as solder ball, that adhere to the LSI during transportation.
5. Take notice in the use of this product that it might break or occasionally smoke when an abnormal state occurs such as output pin- $V_{CC}$  short (Power supply fault), output pin-GND short (Ground fault), or output-to-output-pin short (load short) .  
And, safety measures such as an installation of fuses are recommended because the extent of the above-mentioned damage and smoke emission will depend on the current capability of the power supply.
6. When designing your equipment, comply with the range of absolute maximum rating and the guaranteed operating conditions (operating power supply voltage and operating environment etc.). Especially, please be careful not to exceed the range of absolute maximum rating on the transient state, such as power-on, power-off and mode-switching. Otherwise, we will not be liable for any defect which may arise later in your equipment.  
Even when the products are used within the guaranteed values, take into the consideration of incidence of break down and failure mode, possible to occur to semiconductor products. Measures on the systems such as redundant design, arresting the spread of fire or preventing glitch are recommended in order to prevent physical injury, fire, social damages, for example, by using the products.
7. When using the LSI for new models, verify the safety including the long-term reliability for each product.
8. When the application system is designed by using this LSI, be sure to confirm notes in this book.  
Be sure to read the notes to descriptions and the usage notes in the book.
9. This IC is not applicable to automotive electronic parts.

2011-03-11		
Established	Revised	

	<h1>Product Standards</h1>	<h2>AN48836B</h2>	
		Total Pages	Page
		14	13

### ■ Caution on Use of Hall ICs

As the Hall-IC often detects movement, the position of the Hall-IC may be changed, and there is the risk of a change in detection level, if exposed to shock or vibration over a long period. Secure the IC by applying adhesive to the package or placing in a dedicated case.

#### 1. When using an adhesive

Some kinds of adhesive generate gas (such as chlore gas) during curing. This corrosive gas corrodes the aluminum on the surface of the Hall-IC, and may cause a functional defect of disconnection.

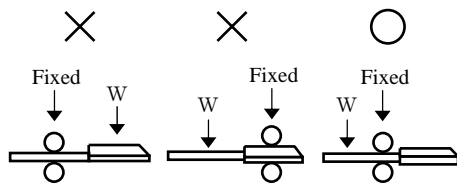
If Hall-IC is to be sealed after installation, attention should be given to the adhesive used for Hall-IC installation, as well as for the adhesive or resin used for peripherals and substrate cleaner.

Please confirm the above matter to those manufacturers before using.

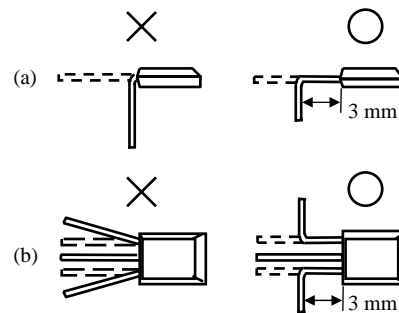
We could not select the specified adhesive, for we find it difficult to guarantee the ingredient of each adhesive.

#### 2. When bending lead wire

Bend the lead wire without stressing the package.



Bending method of lead wire



Bending position of lead wire

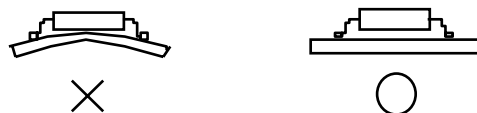
#### 3. Power supply line/ Power transmission line

If a power supply line/power transmission line becomes longer, noise and/or oscillation may be found on the line. In this case, set the capacitor of 0.1  $\mu$ F to 10  $\mu$ F near the Hall IC to prevent it.

If a voltage of 5.4 V or more is thought to be applied to the power supply line (reverse electromotive force from coil or the ignition pulse, etc.), protect it with external components (capacitor, resistor, zener diode, diode, surge absorbing elements, etc.).

#### 4. Mounting the surface mount type (SMINI-5DE package)

When mounted on printed circuit board, the Hall-IC may be highly stressed by the warpage that may occur from the soldering. This may also cause a change in the operating magnetic flux density and a deterioration of its resistance to moisture.



Observe the recommended conditions since electrical characteristics can easily change due to stress when mounting. Avoid soldering by using soldoring iron or solder flow (dip) method.

2011-03-11		
Established	Revised	

	<h1>Product Standards</h1>	<h2>AN48836B</h2>	
		Total Pages	Page
		14	14

■ Caution on Use of Hall ICs (continued)

5. Mounting the insertion type (SE-3S package)

If the insertion type Hall-IC is inserted to the bottom of its lead into the printed circuit board, it will be stressed so that reliability can not be maintained. Set a space of at least 2.0 mm between the package and printed circuit board.

6.  $V_{CC}$  and GND

Do not connect VCC and GND pins reversely. Otherwise, the IC will be damaged. If the voltage of GND pin is set higher than that of the other pins, which is the same configuration as diode forward connection, it is set to ON at current may flow (About 0.7V), resulting in damage to the IC. (This is common to monolithic IC.)

7. Cautions of Hall IC at Power-On

When a Hall IC is turned on, the position of the magnet or looseness may cause the output of a Hall IC to be changed, and a pulse may be generated.

Therefore, care should be exercised whenever the output state of a Hall IC is critical when the supply power is ON.

8. When Hall-IC is fixed with holder

When a Hall-IC is mounted on the printed circuit board with a holder and the coefficient of expansion of the holder is large, the lead wire of the Hall-IC will be stretched and it may give a stress to the Hall IC.

If the lead wire is stressed intensely due to the distortion of holder or substrate, the adhesiveness between the package and the lead wire may be weakened and cause a minute gap resulting in the deterioration of its resistance to moisture.

9. On using flux in soldering

Choose a flux which does not include ingredients from the chloric group. The ingredients of chloric group may enter through the joint of the lead frame and package resin, causing corrosion and disconnection of the aluminum wiring on the surface of IC chip.

2011-03-11		
Established	Revised	



Regulations No.	SC3S2017	Total pages	Page
		6	1

# Package Standards

Package Code	SMINI-5DE
--------------	-----------

Semiconductor Company  
Panasonic Corporation

Established by	Applied by	Checked by	Prepared by
H.Shidooka	H.Yoshida	M.Okajima	M.Itoh

-	-	
Established	Revised	

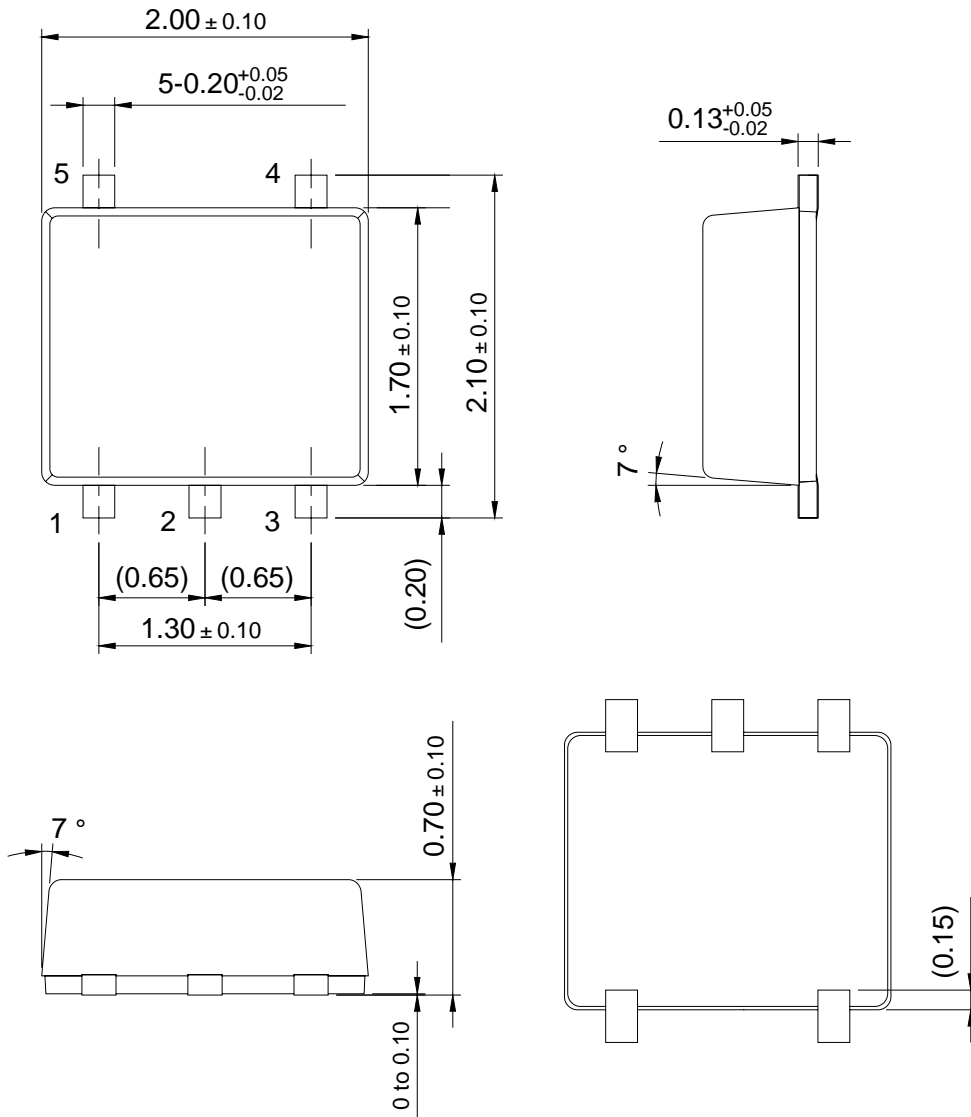
Established: 2009-07-30  
Revised : 2009-10-16

		<h1>Package Standards</h1>	
		6	2

## 1. Outline Drawing

Unit:mm

Package Code : SMINI-5DE



Body Material	: Br / Sb Free Epoxy Resin
Lead Material	: Cu Alloy
Lead Finish Method	: SnBi Plating

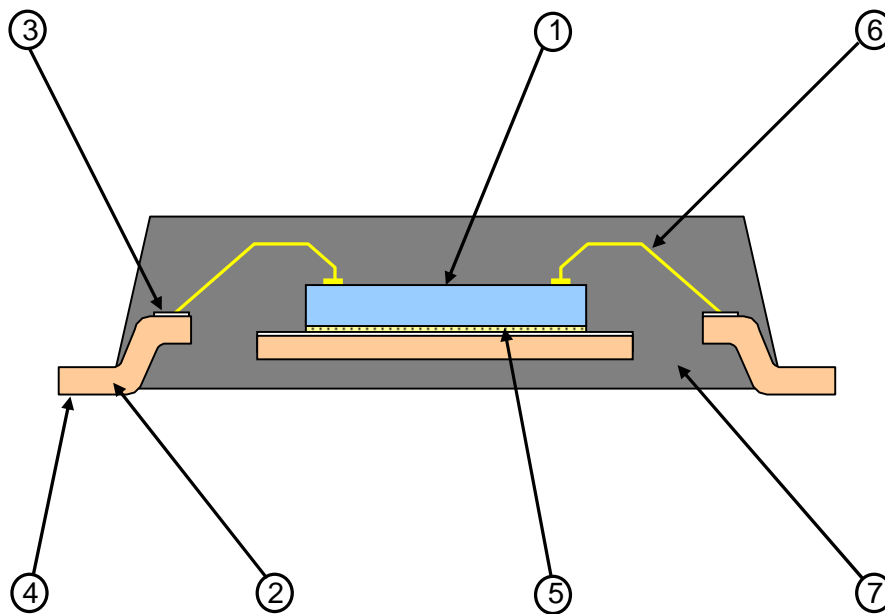
-	-	
Established	Revised	

	<h1>Package Standards</h1>		
		Total pages	Page
		6	3

## 2. Package Structure (Technical Report : Reference Value)

Package Code : SMINI-5DE

Chip Material		Si	①
Leadframe material		Cu alloy	②
Inner lead surface		Ag plating	③
Outer lead surface		SnBi plating	④
Chip mount	Method	Resin adhesive method	⑤
	Material	Adhesive material	
Wirebond	Method	Thermo-compression bonding	⑥
	Material	Au	
Molding	Method	Transfer molding	⑦
	Material	Br/Sb Free Epoxy resin	
Mass		6 mg	

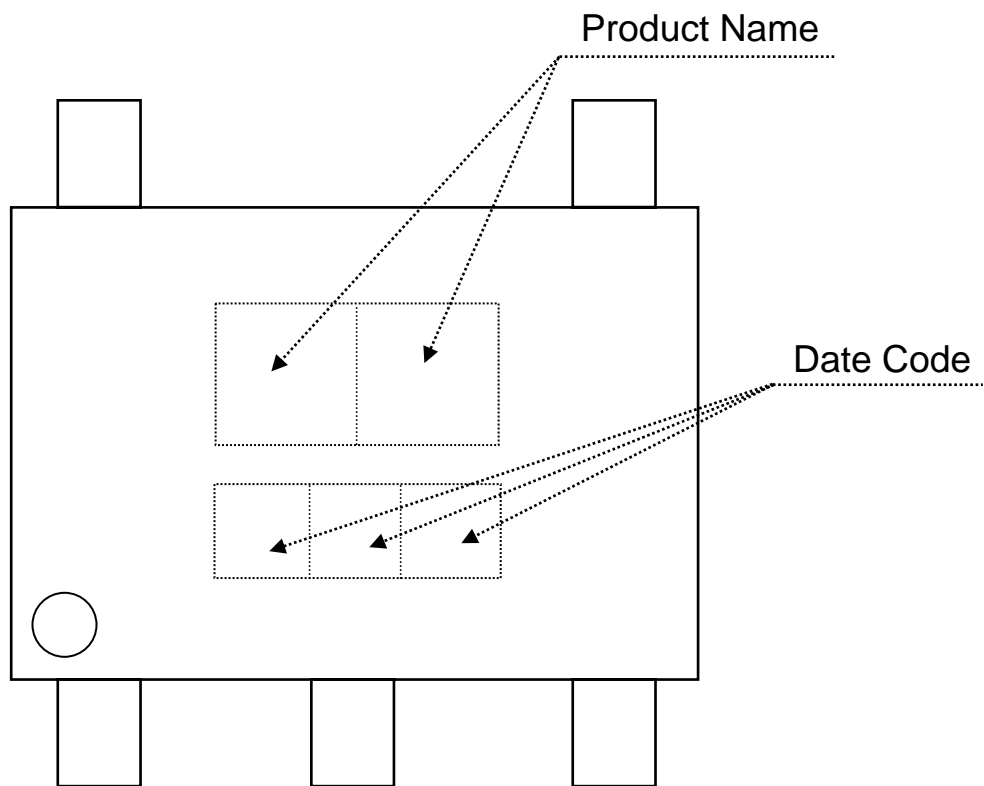


-	-	
Established	Revised	

	<h1>Package Standards</h1>		
		Total pages	Page
	6	4	

### 3. Mark Layout

Package Code : SMINI-5DE

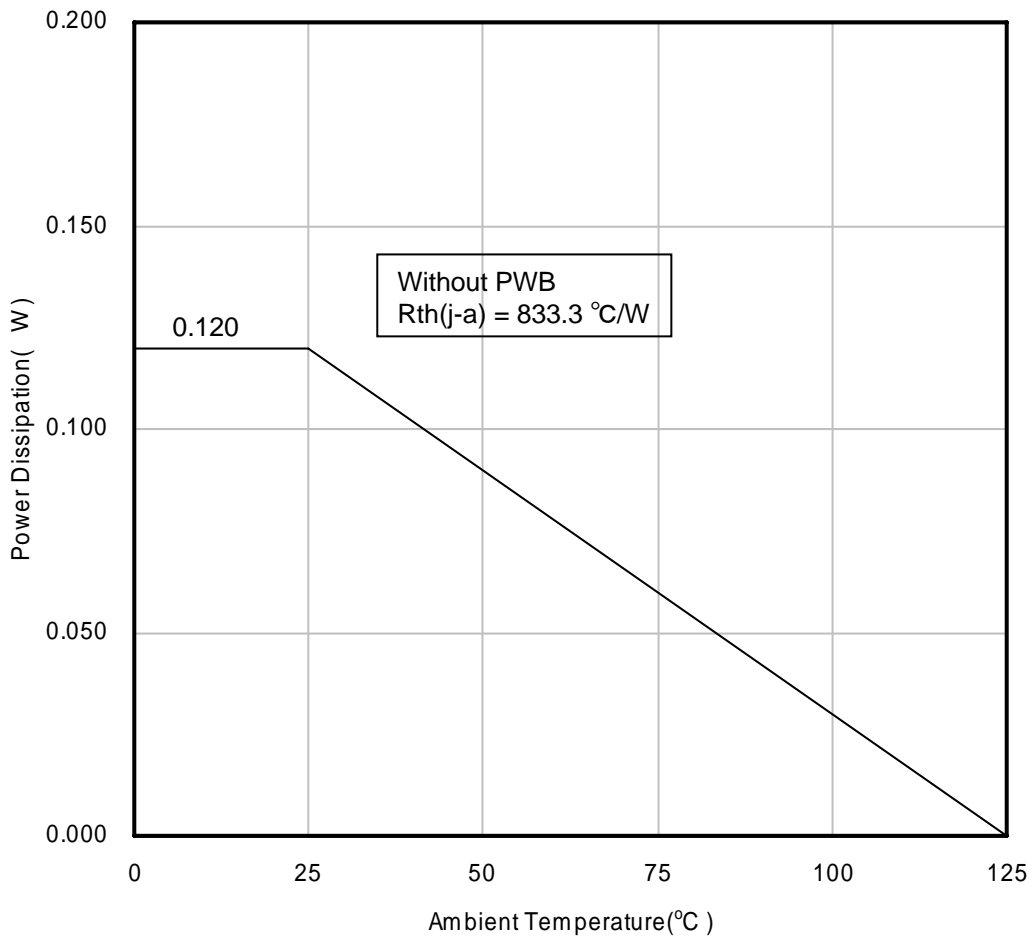


-	-	
Established	Revised	

	<h1>Package Standards</h1>		
		Total pages	Page
		6	5

4. Power Dissipation (Technical Report)

Package Code : SMINI-5DE



-	-	
Established	Revised	

	<h1>Package Standards</h1>			
			Total pages	Page
			6	6

## 5. Power Dissipation (Supplementary Explanation)

### [Experiment environment]

Power Dissipation (Technical Report) is a result in the experiment environment of SEMI standard conformity. (Ambient air temperature (Ta) is 25 degrees C)

### [Supplementary information of PWB to be used for measurement]

The supplement of PWB information for Power Dissipation data (Technical Report) are shown below.

Indication	Total Layer	Resin Material
Glass-Epoxy	1-layer	FR-4
4-layer	4-layer	FR-4

### [Notes about Power Dissipation (Thermal Resistance) ]

Power Dissipation values (Thermal Resistance) depend on the conditions of the surroundings, such as specification of PWB and a mounting condition , and a ambient temperature. (Power Dissipation (Thermal Resistance) is not a fixed value.)

The Power Dissipation value (Technical Report) is the experiment result in specific conditions (evaluation environment of SEMI standard conformity) ,and keep in mind that Power Dissipation values (Thermal resistance) depend on circumference conditions and also change.

### [Definition of each temperature and thermal resistance]

Ta : Ambient air temperature

The temperature of the air is defined at the position where the convection, radiation, etc. don't affect the temperature value, and it's separated from the heating elements.

Tc : It's the temperature near the center of a package surface. The package surface is defined at the opposite side if the PWB.

Tj : Semiconductor element surface temperature (Junction temperature.)

Rth(j-c) : The thermal resistance (difference of temperature of per 1 Watts) between a semiconductor element junction part and the package surface

Rth(c-a) : The thermal resistance (difference of temperature of per 1 Watts) between the package surface and the ambient air

Rth(j-a) : The thermal resistance (difference of temperature of per 1 Watts) between a semiconductor element junction part and the ambient air

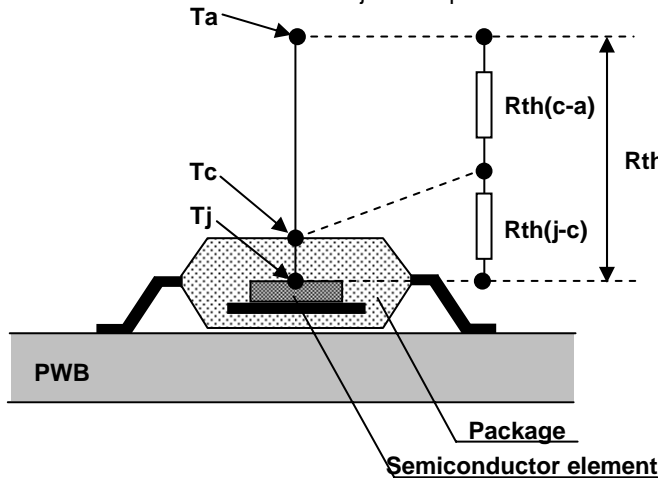


Fig1. Definition image

### [Definition formula]

$$T_j = \{R_{th}(j-c) + R_{th}(c-a)\} \times P + T_a$$

$$= R_{th}(j-a) \times P + T_a$$

$$R_{th}(j-c) = \frac{T_j - T_c}{P} \quad ( \text{ } / \text{W} )$$

$$R_{th}(c-a) = \frac{T_c - T_a}{P} \quad ( \text{ } / \text{W} )$$

$$R_{th}(j-a) = \frac{T_j - T_a}{P} \quad ( \text{ } / \text{W} )$$

$$= R_{th}(j-c) + R_{th}(c-a)$$

P:power(W)

-	-	
Established	Revised	

	<h1 style="margin: 0;">Recommended Soldering Conditions</h1>		
		Total pages	page
		2	1

**Product name : AN48836B-NL**

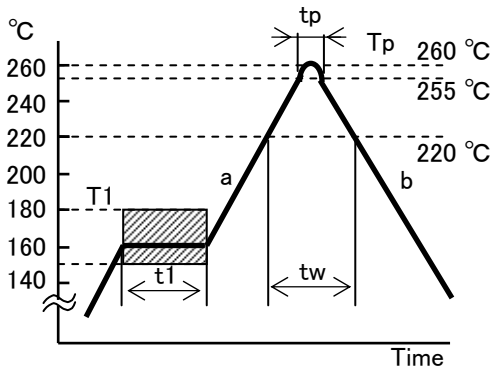
**Package : SMINI-5DE**

## 1. Recommended Soldering Conditions

In case that the semiconductor packages are mounted on the PCB, the soldering should be performed under the following conditions.

Reflow soldering

**Reflow peak temp. : max. 260 °C**



No.	mark	contents	value
1	T1	Pre-heating temp.	150 °C~180 °C
2	t1	Pre-heating temp. hold time	60 s~120 s
3	a	Rising rate	2 °C/s~5 °C/s
4	Tp	Peak temp.	255 °C+5 °C, -0 °C
5	tp	Peak temp. hold time	10 s±3 s
6	tw	High temp. region hold time	within 60 s (≥220 °C)
7	b	Down rate	2 °C/s~5 °C/s
8	-	Number of reflow	within 2 times

\* Peak temperature : less than 260 °C

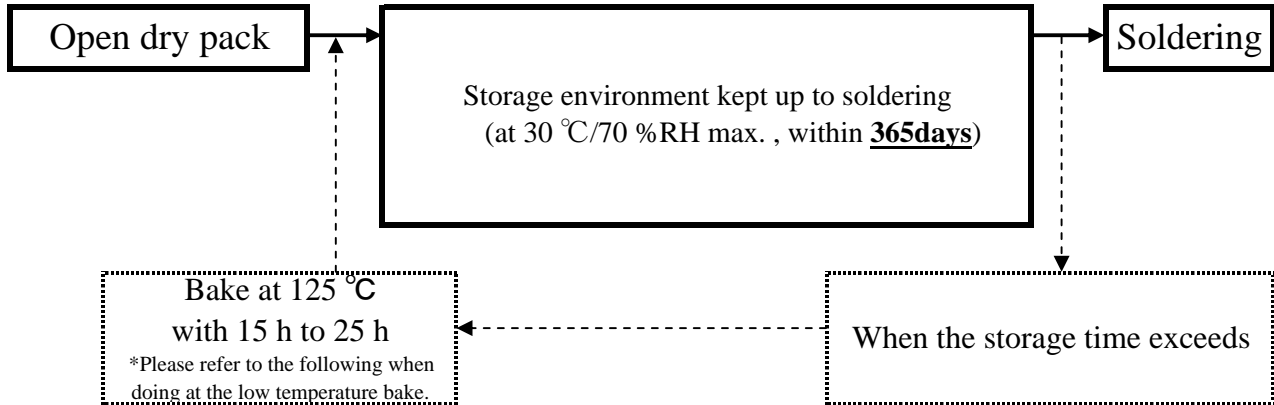
\* Temperature is measured at package surface point

No. 11-157

2012/3/6		
Prepared	Revised	

	<b>Recommended Soldering Conditions</b>		
		Total pages	page
		2	2

## 2. Storage environment after dry pack opening



- ※ Because the taping and the magazine materials are not the heat-resistant materials, the bake at 125°C cannot be done.  
Therefore, please solder everything or control everything in the rule time.  
Please keep them in an equal environment with the moisture-proof packaging or dry box.  
(Temperature: room temperature, relative humidity: 30% or less. )  
To control storage time, when bake in the taping and the magazine is necessary, it is necessary for each type to set a bake condition. Please inquire of our company.

☆ AN48836B-NL limitation, low temperature bake condition : 40 °C / 25 %RH or less / 192 h

## 3. Note

- ① Storage environment conditions: keep the following conditions Ta=5 °C~30 °C, RH=30 %~70 %.
- ② Storage period before opening dry pack shall be 1year from a shipping day under Ta=5 °C~30 °C, RH=30 %~70 %. When the storage exceeds, Bake at 125 °C with 15 h to 25 h.
- ③ Baking cycle should be only one time.  
Please be cautious of solderability at baking.
- ④ In case that use reflow two times, 2nd reflow must be finished within **365 days**.
- ⑤ Remove flux sufficiently from product in the washing process.  
( Flux : Chlorineless rosin flux is recommended.)
- ⑥ In case that use ultrasonic for product washing,  
There is the possibility that the resonance may occur due to the frequency and shape of PCB.  
It may be affected to the strength of lead. Please be cautious of this matter.

No. 11-157

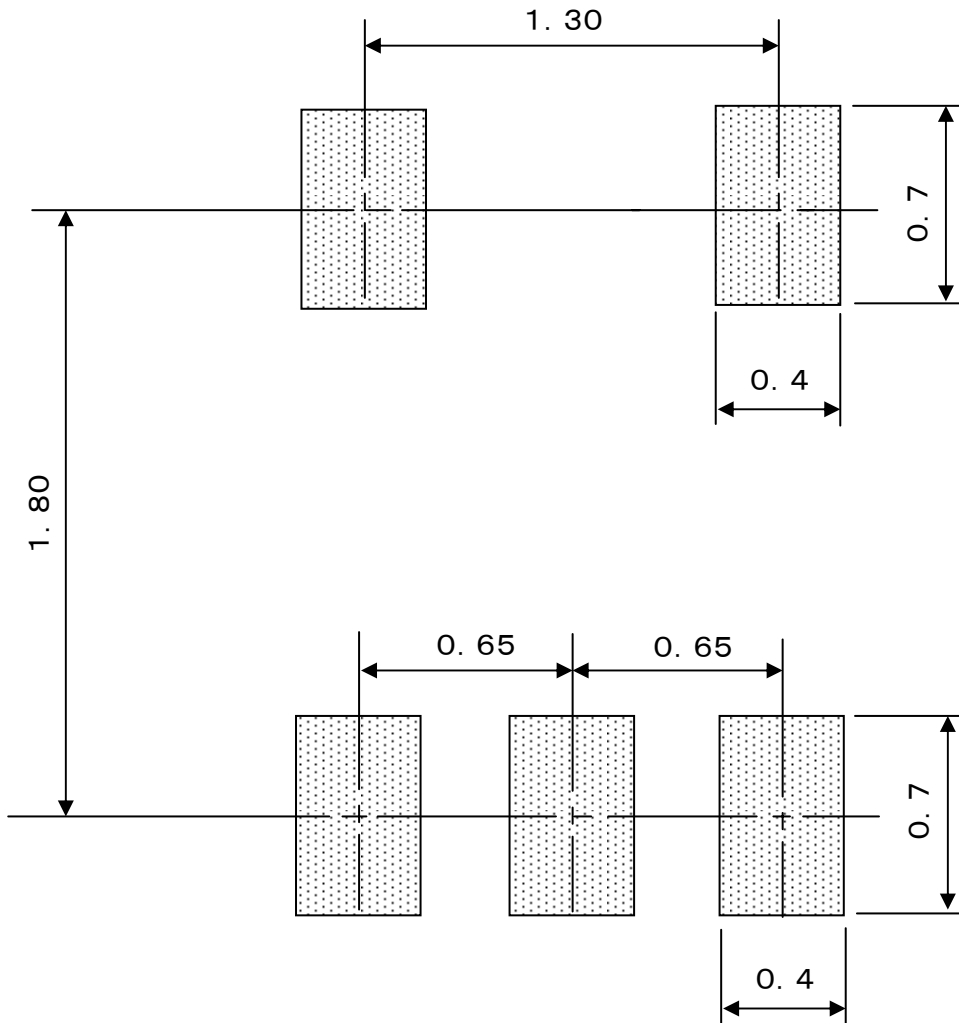
2012/3/6		
Prepared	Revised	



	推奨ランド図 Recommended Land Pattern	SMINI-5DE	
		Total pages	page
		1	1

(参考ランド寸法 / PWB pad dimensions)

単位 / Unit: mm



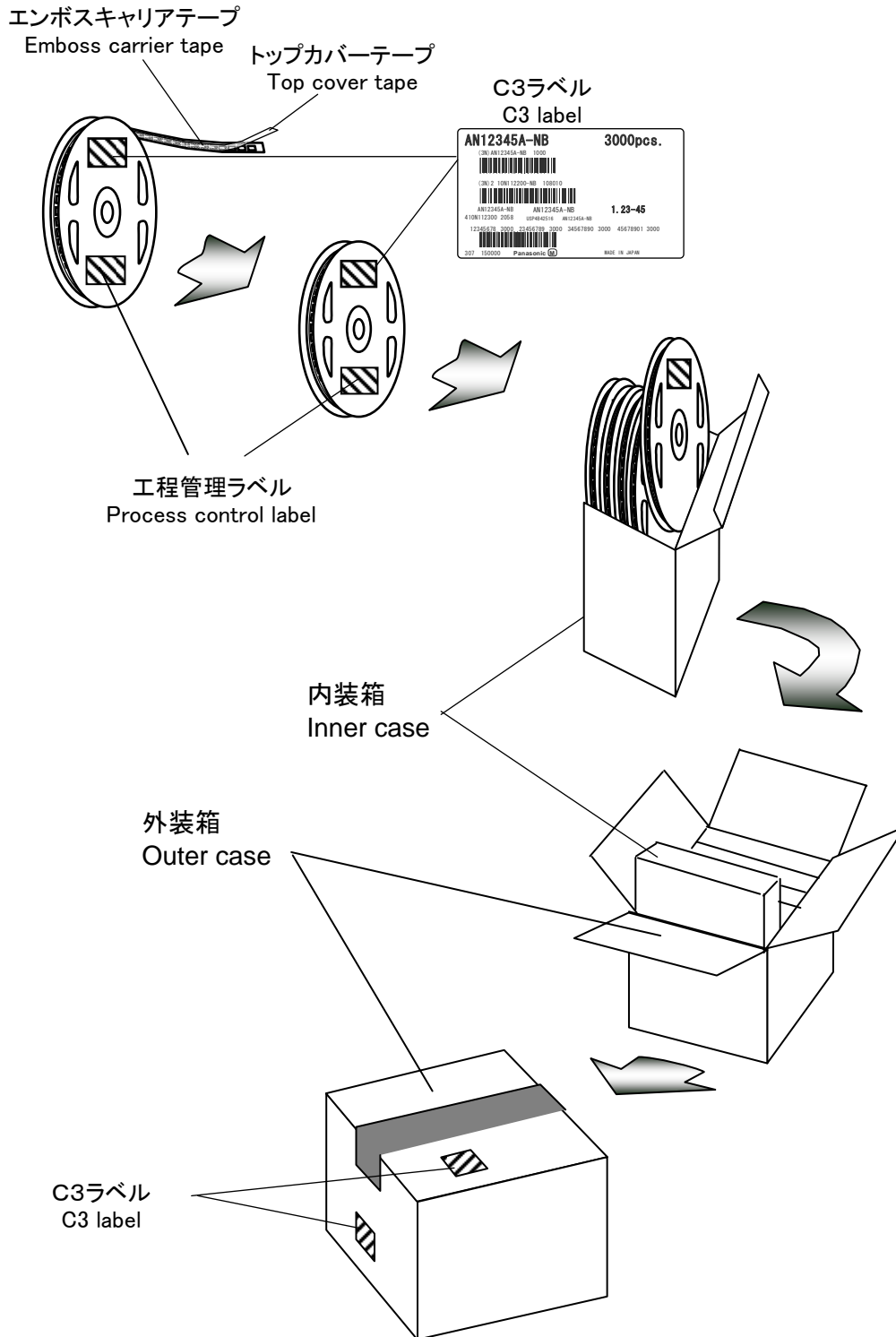
2009.10.14		
Prepared	Revised	

	<b>包装仕様</b> <b>Packing Specifications</b>	Total pages	page
		3	1

**SMINI-5DE**

**エンボスキャリアテーピング<sup>®</sup> Emboss carrier taping**

**1 包装流れ図 Packing flow figure**



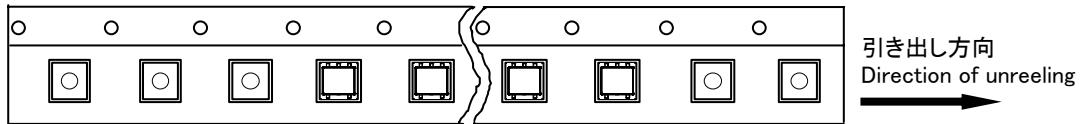
2009.12.15		
Prepared	Revised	

	<b>包装仕様</b> Packing Specifications	Total pages	page
		3	2

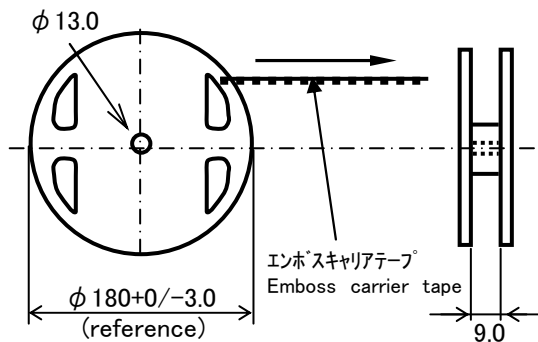
## 2 梱包図 Packing figure

Unit:mm

- 1) エンボスキャリアテープ概要と収納方向  
Emboss carrier tape and IC package direction of storage

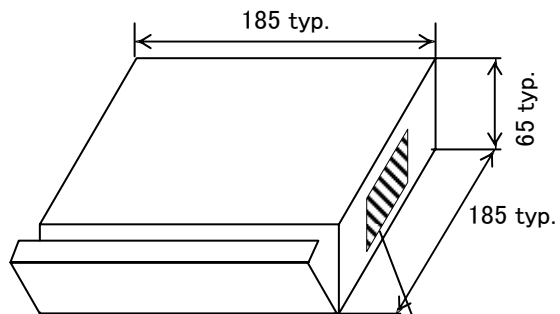


- 2) リール概要 Reel



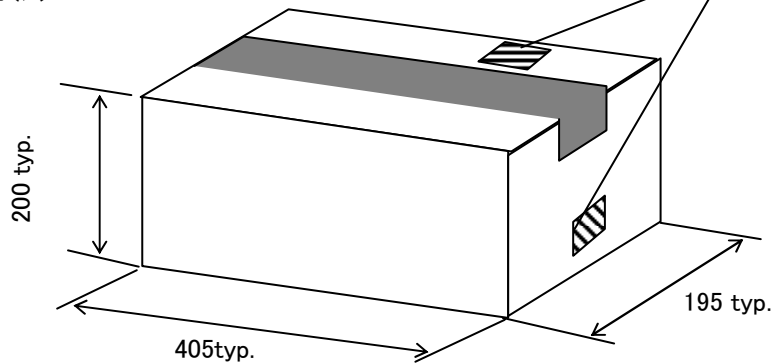
欠落部品なし  
The lack of the product is not permitted.

- 3) 内装箱寸法 Inner case size



C3ラベル貼り付け位置  
C3 Label sticks this position

- 4) 外装箱寸法 Outer case size



## 3 梱包数量 Packing quantity

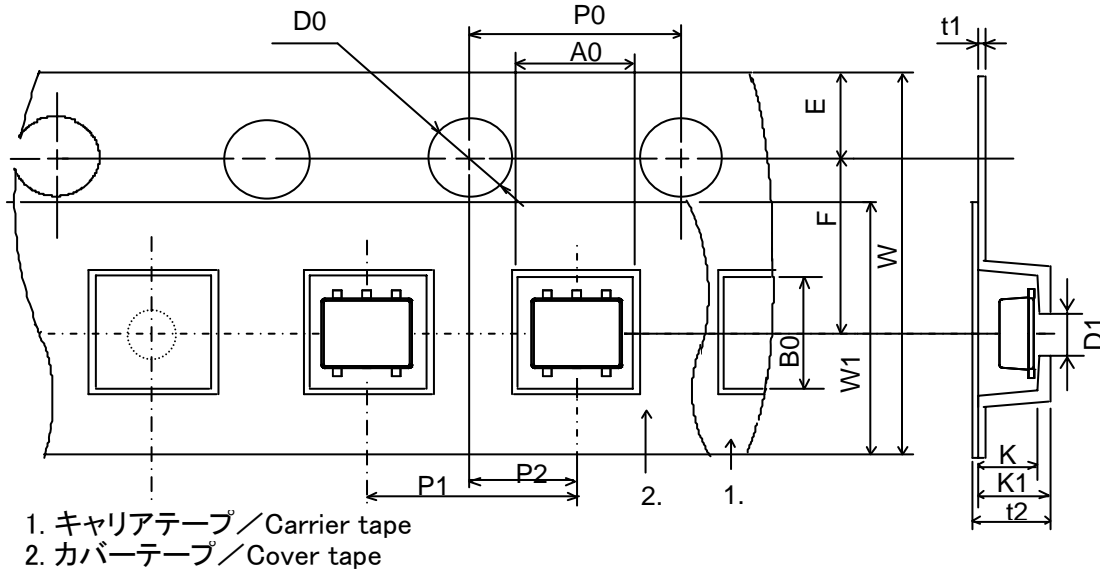
	IC package quantity	contents
Reel	3,000 Pcs.	1 Reel
Inner case	15,000 Pcs.	5 Reels
Outer case	90,000 Pcs.	30 Reels

2009.12.15		
Prepared	Revised	

	<b>包装仕様</b>	
	<b>Packing Specifications</b>	
	Total pages	page
	3	3

**4 テーピング図 Emboss carrier tape drawing**

Unit:mm



項目 Item	照合文字 Symbol	寸法 Dimensions	備考 Remarks	
製品挿入凹み角穴 Dented square hole for product insertion	縦 / Length	A0	2.20+0.10 -0.08	
	横 / Width	B0	2.40±0.10	
	深さ / Depth	K	0.95±0.10	
	ピッチ / Pitch	P1	4.0±0.1	累積誤差±0.2max/10ピッチ Accumulated error ±0.2max/10 pitches
送り穴 Sprocket hole	直径 / Diameter	D0	1.5+0.1/-0.0	
	ピッチ / Pitch	P0	4.0±0.1	累積誤差±0.2max/10ピッチ Accumulated error ±0.2max/10 pitches
	位置 / Position	E	1.75±0.10	
エンボス穴 Emboss hole	直径 / Diameter	D1	1.0+0.3/-0.0	
中心線間距離 Center-to-center distance	縦方向 / Longitudinal	P2	2.00±0.05	
	横方向 / Traverse	F	3.50±0.05	
カバーテープ Cover tape	幅 / Width	W1	5.4±0.1	
	材質 / Material	ポリエチレンテレフタレート (PET) Polyethylene terephthalate		
キャリアテープ Carrier tape	幅 / Width	W	8.0±0.3	
	厚さ / Thickness	t1	0.2±0.1	
	材質 / Material	ポリスチレン (PS)		
穴部外形深さ / Hole outer depth	K1	1.10±0.15		
全体の厚さ / Total thickness	t2	1.20±0.15		

注：1) 各コーナー部のRは、0.25R以下 / The radius at each corner shall be 0.25R or less.

※リール材質：ポリスチレン（耐電防止処理有り） / Reel material：Polystyrene (Antistatic)

2009.12.15	
Prepared	Revised

# **Panasonic**

**Industrial Devices Company, Panasonic Corporation**

1 Kotari-yakemachi, Nagaokakyo City, Kyoto 617-8520, Japan  
Tel:075-951-8151