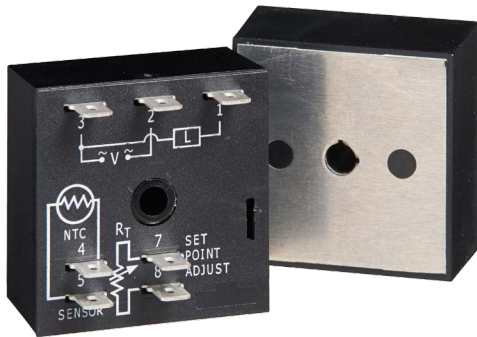
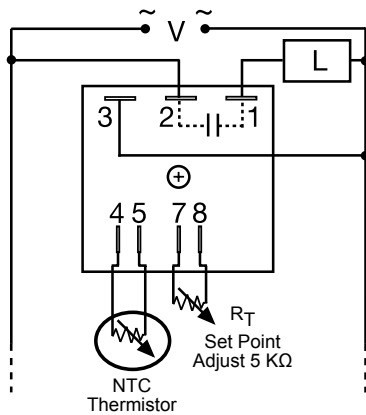


TCR9C

Temperature Controller



Wiring Diagram



V = Voltage
L = Load

Caution: NTC Thermistor must be electrically insulated, 1500 volts RMS minimum.

Description

The TCR9C of solid-state temperature control is a low cost modular approach to accurate control of temperature. The high power output is available in 20 amperes and provides setpoint temperature control. The efficient mounting surface allows for utilization of equipment as the heat sink. Designed for use with resistive loads.

Operation

Setpoint Control: TCR9C is a single setpoint temperature controller. When the thermistor resistance is high (above the setpoint), the solid-state output is ON. When the thermistor resistance decreases (temperature increases) to setpoint or below, the output turns OFF. It must be recognized that temperature differential (under and overshoot) is largely due to the system as a whole. The mass of the system, size of the heaters and sensor all play an important part. Single setpoint control is best when there is little or no lag time between heater and sensor, and when the heater is not oversized.

Features & Benefits

- NTC thermistor sensing for low cost setpoint control
- Solid-state output to control resistive heaters
- External adjustment of the setpoint
- Small package, encapsulated, single-screw mounting
- Metal mounting surface utilizes equipment as heat sink

Accessories



P1015-13 (AWG 10/12), **P1015-64** (AWG 14/16), **P1015-14** (AWG 18/22) **Female Quick Connect**
These 0.25 in. (6.35 mm) female terminals are constructed with an insulator barrel to provide strain relief.

Specifications

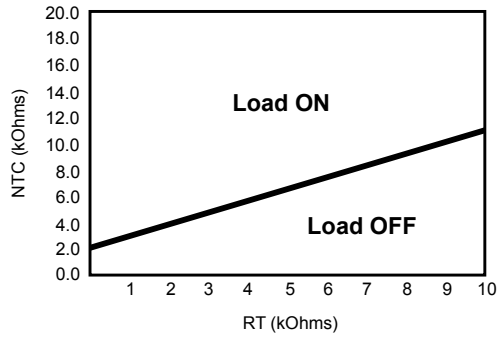
Control Type	Single setpoint, negative temperature coefficient resistance sensing
Sensor Type	Thermistor, negative temperature coefficient (customer supplied)
Adjustment	Electrically insulated for 1500V RMS min. Temperature setpoint selected by means of an external resistance
Accuracy	≤ ±5% of the setpoint resistance Add the tolerance of the NTC thermistor and the drift of the adj. pot over temp. range
Setpoint vs. Ambient Temperature and Operating Voltage	±5% of setpoint resistance
Reset Time	≤ 150ms
Input Voltage	120 - 240VAC
Tolerance	±15%
AC Line Frequency	50/60 Hz

Output Type	Solid state
Form Rating	Non-isolated, single pole, zero voltage switching
Minimum Load Current	100mA
Voltage Drop	≈ 2V at rated current
Off State Leakage Current	≈ 5mA @ 230VAC
Protection	
Dielectric Breakdown	≥2000 volts terminals to mounting surface
Isolation Voltage	≥100mΩ
Circuitry	Encapsulated
Mechanical Mounting	Surface mount with one #10 (M5 x 0.8) screw
Dimensions	H 50.8 mm (2.0"); W 50.8 mm (2.0"); D 38.4 mm (1.51") 0.25 in. (6.35mm) male quick connect terminals
Termination	
Environmental Operating/Storage Temperature	-40° to 60°C / -40° to 85°C
Humidity	95% relative, non-condensing
Weight	≈ 2.7 oz (77 g)

** Must be bolted to a metal surface using the included heat sink compound. The maximum mounting surface temperature is 90°C. Inrush: non-repetitive for 16ms.

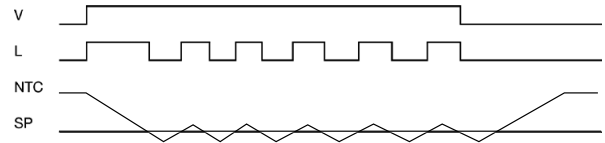
TCR9C

Adjustment vs. Thermistor Resistance



Note: If R_T value exceeds 13kOhms, the output will not energize.

Function Diagram



V = Voltage
L = Load
SP = Setpoint

NTC = Negative Temperature
Coefficient Thermistor