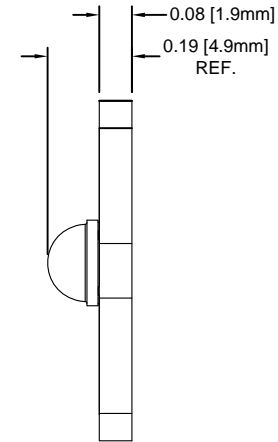
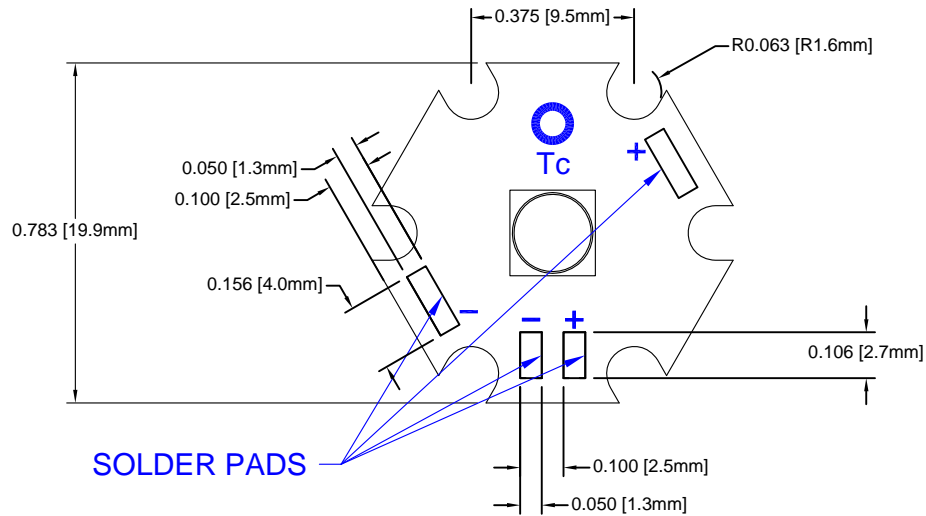


REV.	DESCRIPTION	DATE	APPROVED
F	Engineering Release	10/03/12	T. Y.
G	Added LED P/N	04/01/16	J. C.
H	Updated Tables	08/08/16	J. C.


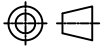


Part Number	CCT (K)	CRI	Typical Luminous Flux @ If = 400mA, Tc=70C (lm)	Typical Luminous Flux @ If = 750mA, Tc=100C (lm)	Typical DC Forward Current, Vf (V)	Viewing Angle (°)	LED P/N
L2-MLC1-S	6500	65	144	236	2.8 ~ 2.9	125	BDL-1436
L2-MLN1-S	4100	75	124	202	2.8 ~ 2.9	125	BDL-1437
L2-MLW1-S	3100	80	103	169	2.8 ~ 2.9	125	BDL-1438

Part Number	CCT (K)	CRI	Typical Luminous Flux @ If = 1000mA, Tc=110C (lm)	Typical Luminous Flux @ If = 3000mA, Tc=60C (lm)	Typical DC Forward Current, Vf (V)	Viewing Angle (°)	LED P/N
L2-MLC1-S	6500	65	281	660	3.0 ~ 3.3	125	BDL-1436
L2-MLN1-S	4100	75	241	566	3.0 ~ 3.3	125	BDL-1437
L2-MLW1-S	3100	80	201	472	3.0 ~ 3.3	125	BDL-1438

NOTES:

- BDL-1436: Reference Cree part number XMLAWT-00-0000-0000T6051 for characteristics.
- BDL-1437: Reference Cree part number XMLAWT-00-0000-000LT40E4 for characteristics.
- BDL-1438: Reference Cree part number XMLAWT-00-0000-000LT20E7 for characteristics.

STANDARD TOLERANCE (UNLESS OTHERWISE SPECIFIED)		 4 THOMAS, IRVINE, CA. 92618 TEL: (949) 951-8808 FAX: (949) 951-3974			
DECIMALS	ANGULAR				
.X ± .1	X° ± 1°	 <b>TITLE:</b> L2 Starboard Light Engine			
.XX ± .02					
.XXX ± .010		DESIGNED: <b>B. Oliver</b>	DATE: <b>11/02/11</b>	<b>PART NO:</b> L2-MLXX-S	REVISION: <b>H</b>
		CHECKED: <b>M. Chen</b>	DATE: <b>11/02/11</b>	<b>CAGE CODE :</b> 32559	<b>SHEET # 1 OF 1</b>
CAD GENERATED DOCUMENT. DO NOT MEASURE DRAWING.					