

INTERCONNECTS

SERIES 350, 450, 801, 803 • .100" GRID (.025" DIA. PINS), LOW PROFILE HEADERS & VERSATILE SOCKETS • SINGLE & DOUBLE ROW STRIPS

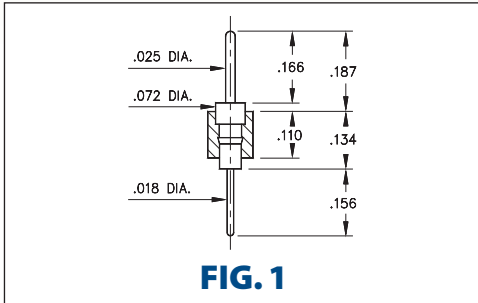


FIG. 1

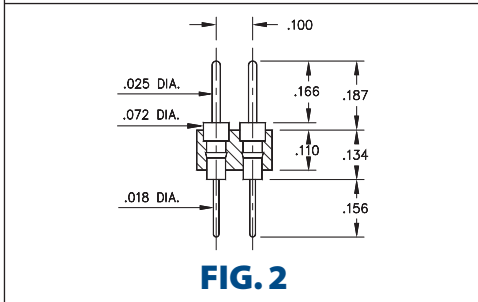


FIG. 2

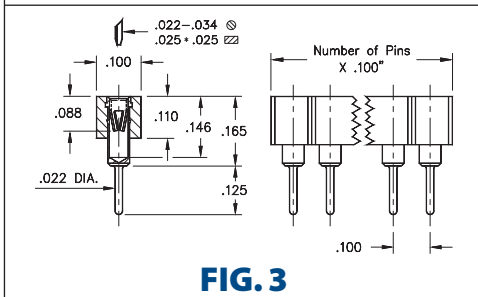


FIG. 3

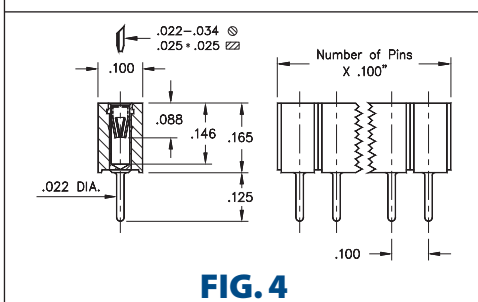


FIG. 4

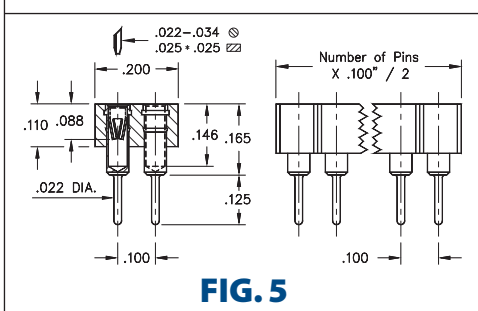


FIG. 5

- Series 350 and 450 single and double row pin headers use MM #0290 pins. See page 215 for details
- Series 801 and 803 single and double row low profile sockets use MM #1303 receptacles. See page 180 for details
- Series 801 and 803 receptacles use Hi-Rel, 6-finger BeCu #16 contact rated at 4.5 amps. Receptacles accept .025" diameter and .025" square pins. See page 256 for details
- Insulators are high temperature thermoplastic, suitable for all soldering operations



ORDERING INFORMATION

| | | | | | |
|---------------------------------|---|----------------------|--------------|-----------|-----------|
| FIG. 1 | Series 350...001 Single Row .025" Pin / .018" Solder Tail | 350-XX-1__-00-001000 | | | |
| | Specify number of pins | 01-64 | | | |
| FIG. 2 | Series 450...001 Double Row .025" Pin / .018" Solder Tail | 450-XX-2__-00-001000 | | | |
| | Specify number of pins | 04-64 | | | |
| | | | | | |
| SPECIFY PLATING CODE XX= | | 10 | 90 | 40 | |
| Pin Plating | | 10 μ" Au | 200 μ" Sn/Pb | 200 μ" Sn | |
| FIG. 3 | Series 801...003 Low Profile Socket (short insulator) | 801-XX-0__-10-003000 | | | |
| | Specify number of pins | 01-64 | | | |
| FIG. 4 | Series 801...013 Low Profile Socket (long insulator) | 801-XX-0__-10-013000 | | | |
| | Specify number of pins | 01-36 | | | |
| FIG. 5 | Series 803...003 Double Row Low Profile Socket | 803-XX-0__-10-003000 | | | |
| | Specify number of pins | 04-72 | | | |
| | | | | | |
| SPECIFY PLATING CODE XX= | | | | 41 | 43 |
| Sleeve (Pin) | | | | 200 μ" Sn | 200 μ" Sn |
| Contact (Clip) | | | | 10 μ" Au | 30 μ" Au |

