

D-SUB contact support - VS-25-ST-DSUB-CD-B - 1689954

Please be informed that the data shown in this PDF Document is generated from our Online Catalog. Please find the complete data in the user's documentation. Our General Terms of Use for Downloads are valid (<http://phoenixcontact.com/download>)

D-SUB contact carrier, shell size 3, for 25 signal contacts, type of contact pin, for crimp contacts, straight, fixing with a 3 mm hole, for panel mounting frame and sleeve housing VS-25-...



RoHS

Key Commercial Data

Packing unit	10 STK
GTIN	
GTIN	4017918914356

Technical data

Mechanical characteristics

Number of positions	25
Connection profile	25-pos. D-SUB
Insertion/withdrawal cycles	≥ 500
Connection method	Crimp connection
Insertion force per signal contact	≤ 3.40 N
Mounting type	Hole
Type	25
Size of housing	3

Ambient conditions

Ambient temperature (operation)	-55 °C ... 130 °C
---------------------------------	-------------------

Material data

Flammability rating according to UL 94	V0
Housing material	Steel, tin-plated
Contact carrier material	Glass-fiber reinforced thermoplastics, UL 94 V0

Electrical characteristics

Number of positions	25
---------------------	----

D-SUB contact support - VS-25-ST-DSUB-CD-B - 1689954

Technical data

Electrical characteristics

Rated current	5 A (at 20 °C)
Overvoltage category	III
Degree of pollution	2
Rated voltage (III/3)	125 V
Test voltage	1200 V

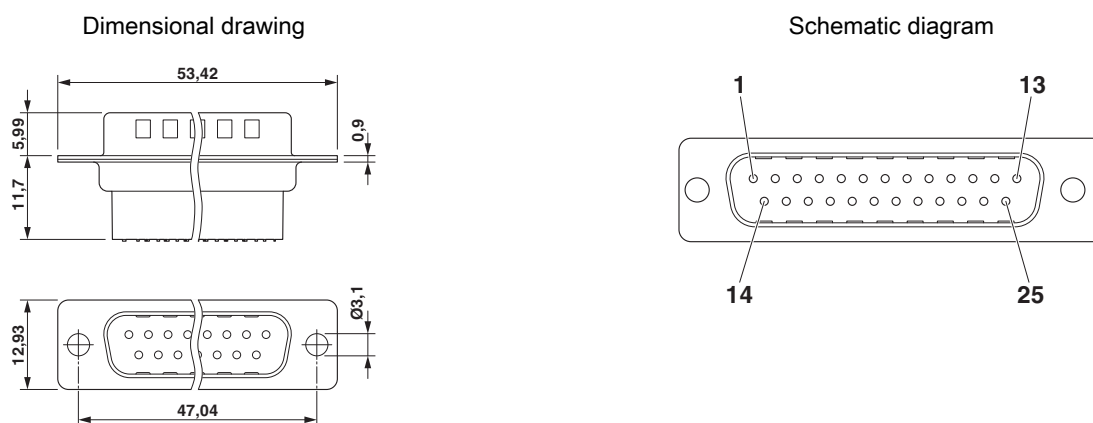
Standards and Regulations

Flammability rating according to UL 94	V0
--	----

Environmental Product Compliance

China RoHS	Environmentally friendly use period: unlimited = EFUP-e
	No hazardous substances above threshold values

Drawings



D-SUB contact carrier

Approvals

Approvals

Approvals

UL Recognized / EAC

Ex Approvals

Approval details

D-SUB contact support - VS-25-ST-DSUB-CD-B - 1689954

Approvals

UL Recognized



<http://database.ul.com/cgi-bin/XYV/template/LISEXT/1FRAME/index.htm>

FILE E 118976

EAC



B.01742

Phoenix Contact 2018 © - all rights reserved
<http://www.phoenixcontact.com>

PHOENIX CONTACT GmbH & Co. KG
Flachsmarktstr. 8
32825 Blomberg
Germany
Tel. +49 5235 300
Fax +49 5235 3 41200
<http://www.phoenixcontact.com>