

PULSEJACK™

Surface Mount 1X1



Description:

10/100Base-TX surface mount RJ45 single port (1X1) Tab-UP/DOWN with or without LEDs Integrated Magnetics Connector, designed to support applications such as: Set Top Box and Network Interface Cards (NIC).



Features and Benefits:

- Ⓞ Available in Tape & Reel format
- Ⓞ J3 SMT product available with or without LEDs
- Ⓞ J0C SMT product, reduced size and low cost alternative to JV series
- Ⓞ Internal magnetics: 100% electrically tested for HI-POT & continuity

Electrical Performance Summary:

- Ⓞ Internal magnetics options available
- Ⓞ Meets or exceeds IEEE 802.3i/u standard for 10/100Base-T
- Ⓞ High performance for maximum EMI suppression
- Ⓞ Minimum 1500 Vrms isolation per IEEE 802.3 requirement

Electrical Specifications @ 25°C — Operating Temperature 0°C to +70°C

Part Number*	Turns ^{1,2} Ratios		Tab Option Up/Down	LEDs ³ L/R	BST Circuit	EMI Finger	Insertion Loss TX/RX (dB MAX)	Return Loss (dB MIN) 100 Ω (±15 Ω)			Crosstalk (dB MIN)			Common Mode Rejection (dB MIN)		Hipot (Vrms) (MIN) @60 Hz 1 MIN
	TX	RX						1-65 MHz	1-10 MHz	30 MHz	60-80 MHz	1-10 MHz	30-60 MHz	60-100 MHz	1-50 MHz	
J0C-0003	1CT:1	1CT:1	Down	No	No	No	-1.0	-18	-14	-10	-35	-35	-30	-20	-20	1500
J0C-0004	1CT:1	1CT:1	Down	No	No	Yes	-1.0	-18	-14	-10	-35	-35	-30	-20	-20	1500
J0C-0005	1CT:1	1CT:1	Down	No	Yes	No	-1.0	-18	-14	-10	-35	-35	-30	-20	-20	1500
J0C-0006	1CT:1	1CT:1	Down	No	Yes	Yes	-1.0	-18	-14	-10	-35	-35	-30	-20	-20	1500
JV006I21	1CT:1	1CT:1	Down	No	No	Yes	-1.0	-20	-16	-12	-40	-35	-30	-30	-20	1500
JV011I21	1CT:1	1CT:1	Down	No	Yes	Yes	-1.0	-20	-16	-12	-40	-35	-30	-30	-20	1500
JV026I21	1CTS:1	1CT:1	Down	No	Yes	Yes	-1.0	-20	-16	-12	-40	-35	-30	-30	-20	1500
J3006G21D	1CT:1	1CT:1	Up	G/Y	No	Yes	-1.0	-20	-16	-12	-40	-35	-30	-30	-20	1500
J3011G21D	1CT:1	1CT:1	Up	G/Y	Yes	Yes	-1.0	-20	-16	-12	-40	-35	-30	-30	-20	1500
J3018G21K	1CTS:1.414	1CT:1	Up	G/G	Yes	Yes	-1.0	-20	-16	-11.5	-40	-35	-30	-30	-20	1500
J3026G01D	1CTS:1	1CT:1	Up	G/Y	Yes	No	-1.0	-20	-16	-12	-40	-35	-30	-30	-20	1500
J3026G21D	1CTS:1	1CT:1	Up	G/Y	Yes	Yes	-1.0	-20	-16	-12	-40	-35	-30	-30	-20	1500

NOTES:

1. Both transmit and receive channels meet IEEE 802.3i/u specifications.
2. Different electrical and mechanical specifications can be accommodated. Contact Pulse Applications Engineering.
3. LEDs Left/Right: **G** = green; **Y** = yellow.
4. Optional Tape & Reel packaging can be ordered by adding a "T" suffix to the surface mount part numbers (eg: J0C-0003T, JV006I21T or J3006G21DT).
5. Add "NL" to the end of the part number for RoHS-compliant product (eg: J0C-0003NL, JV006I21NL or J3006G21DNL - or - J0C-0003NLT, JV006I21NLT or J3006G21DNL).

RJ45 Durability Testing Rating

Part Number	Mating Force (MAX)	Unmating Force (MAX)	Durability	Plug to Jack Retention (MIN)
J0C/JV/J3 Series	5 lbs./2.268 kgs.	5 lbs./2.268 kgs.	750 Insertions	20 lbs./9.072 kgs.

RJ45 Material Specification

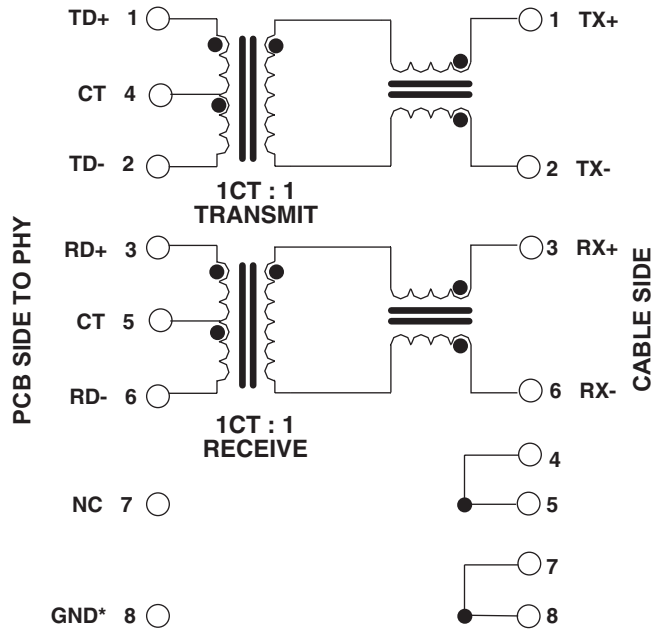
Part Number	Shield		Contact			Housing	
	Material	Finish	Material	Plating Area	Solder Area	Material	Specification
J0C/JV/J3 Series	Brass	20-40μ inches thick nickel over Brass	Phosphor Bronze	15μ inches gold over 30-80μ inches nickel	75-300μ inches tin-lead over 30-80μ inches nickel	High Temp. Thermoplastic	UL 94 V-0

Notes:

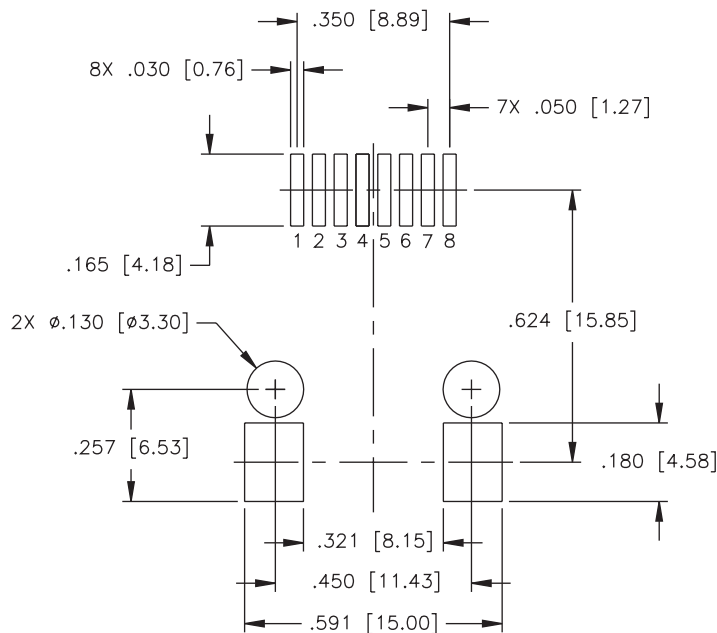
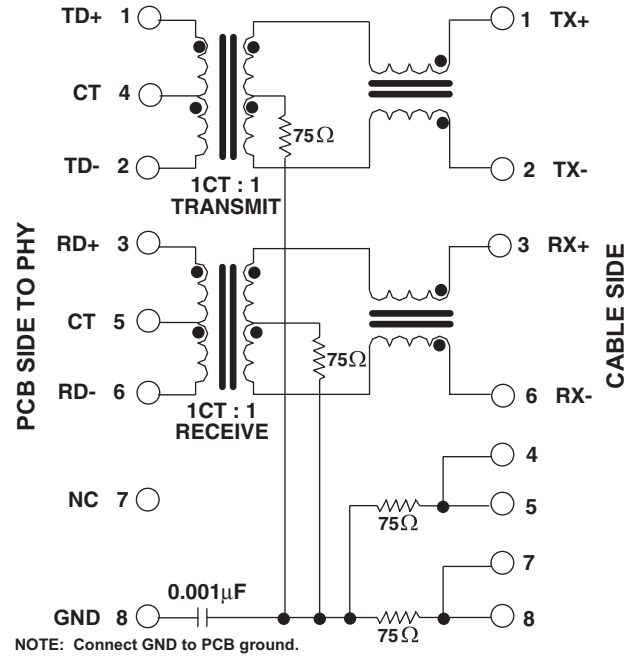
1. All connector part numbers starting with the series prefix **JV**, **J3** or **J0C** comply to the above limits.
2. Connector dimensions comply with FCC part 68 dimension requirements.

JOC Platform Schematics

JOC-0003/4

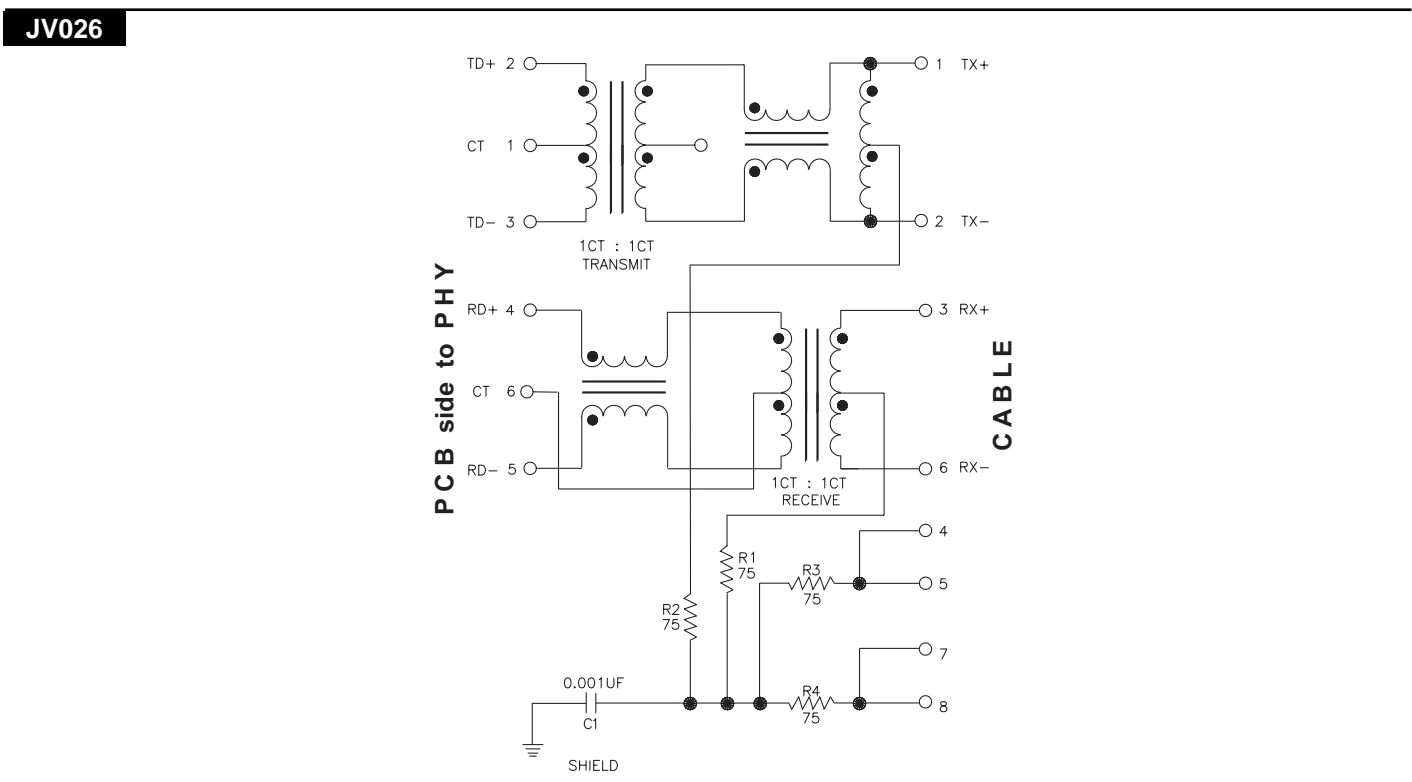
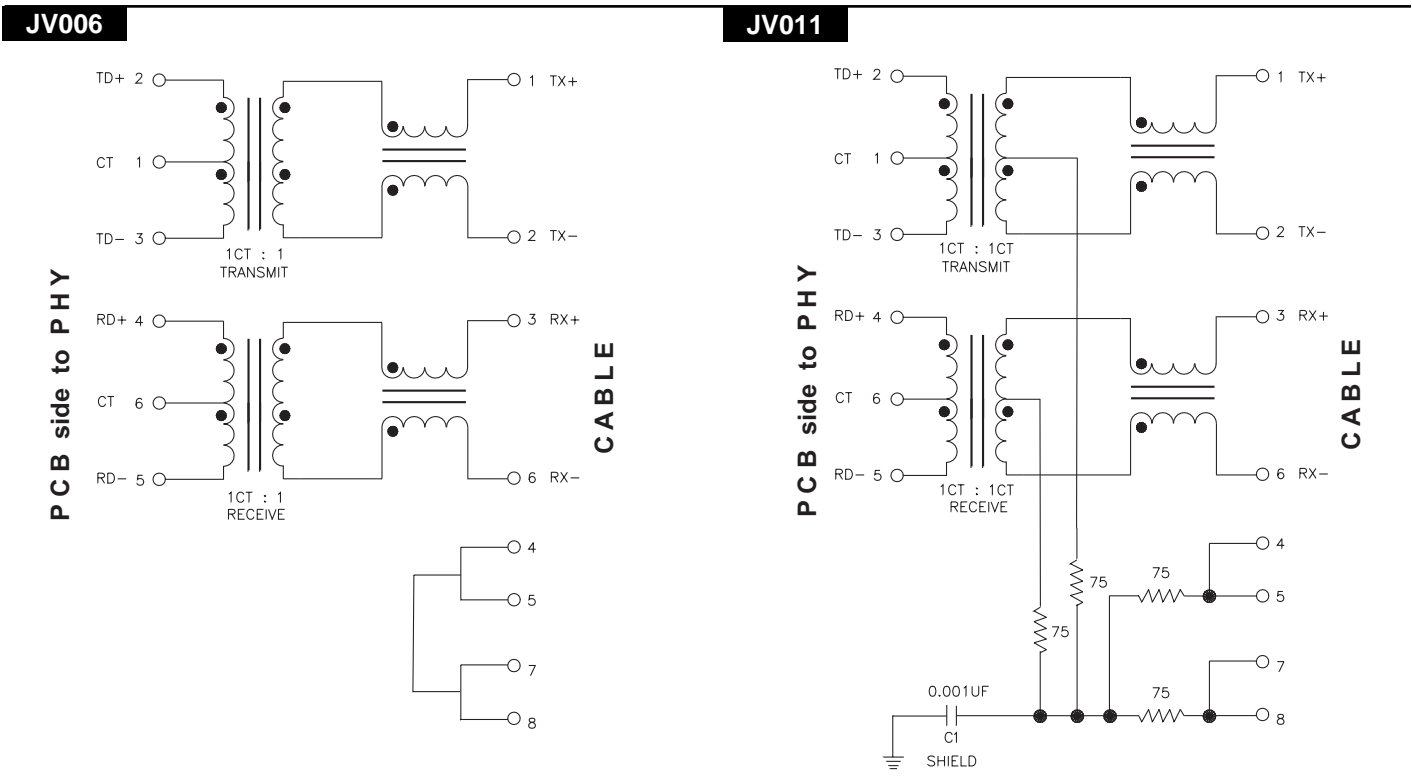


JOC-0005/6



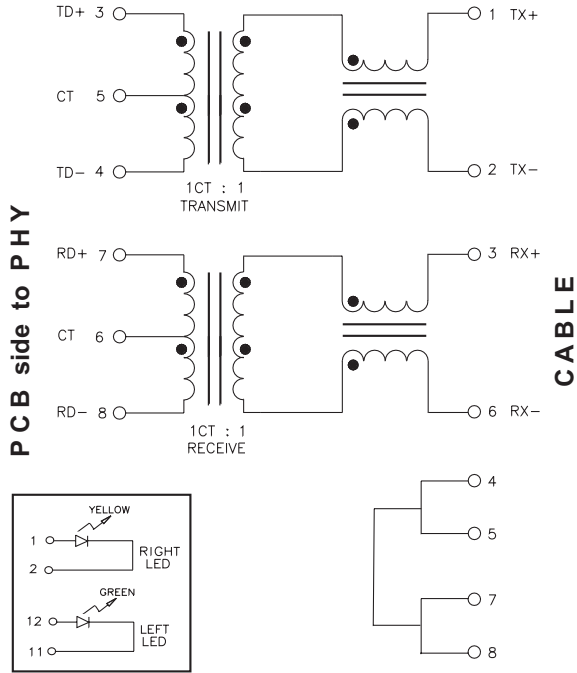
SUGGESTED FOOTPRINT (COMPONENT SIDE SHOWN)
 DIMENSIONAL TOLERANCE: (UNLESS OTHERWISE SPECIFIED)
 .XXX ±.003 [X.XX ±0.08]

JV Platform Schematics

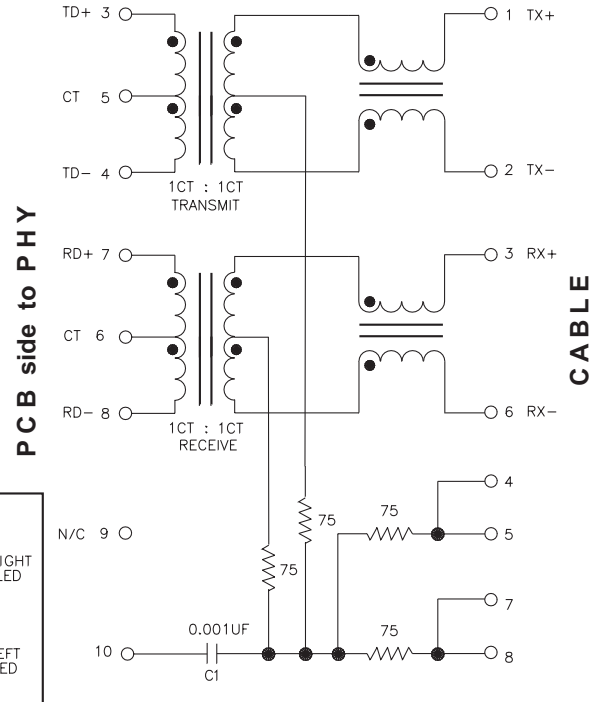


J3 Platform Schematics

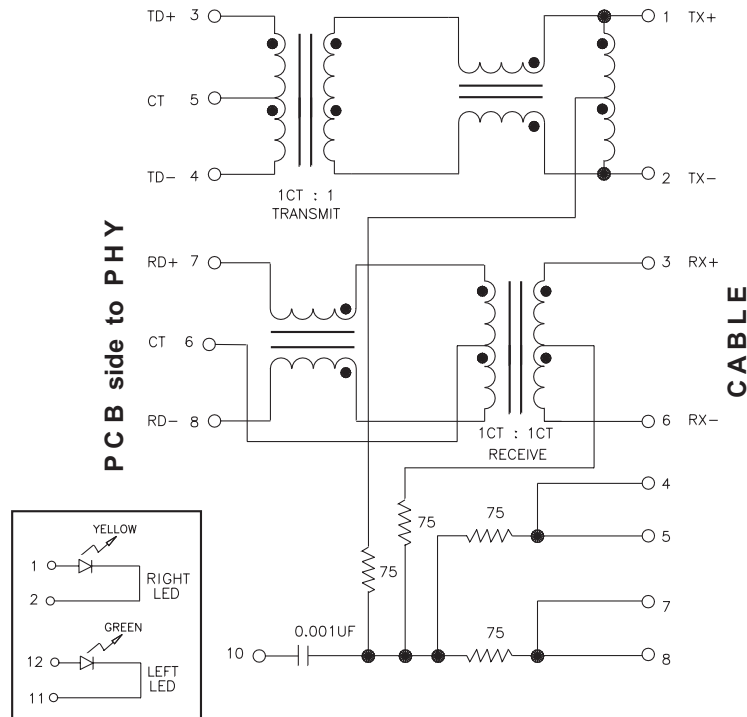
J3006



J3011

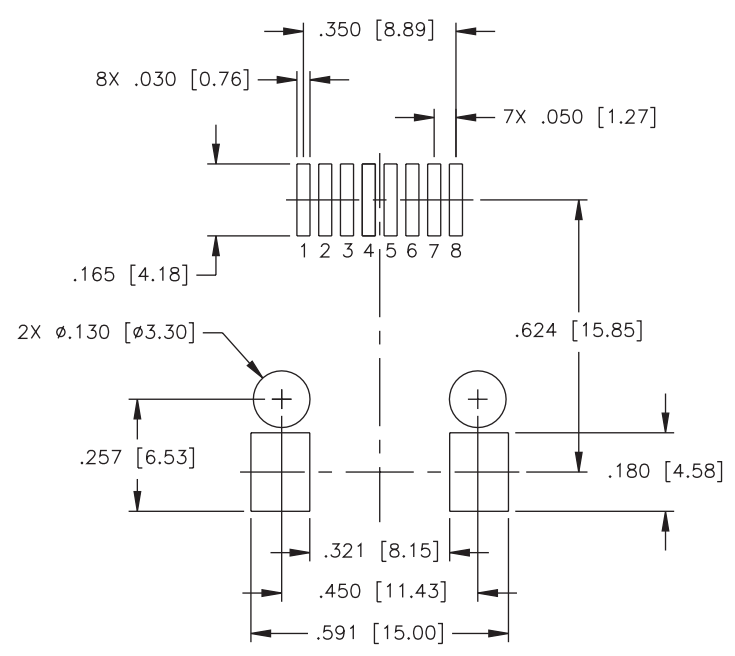
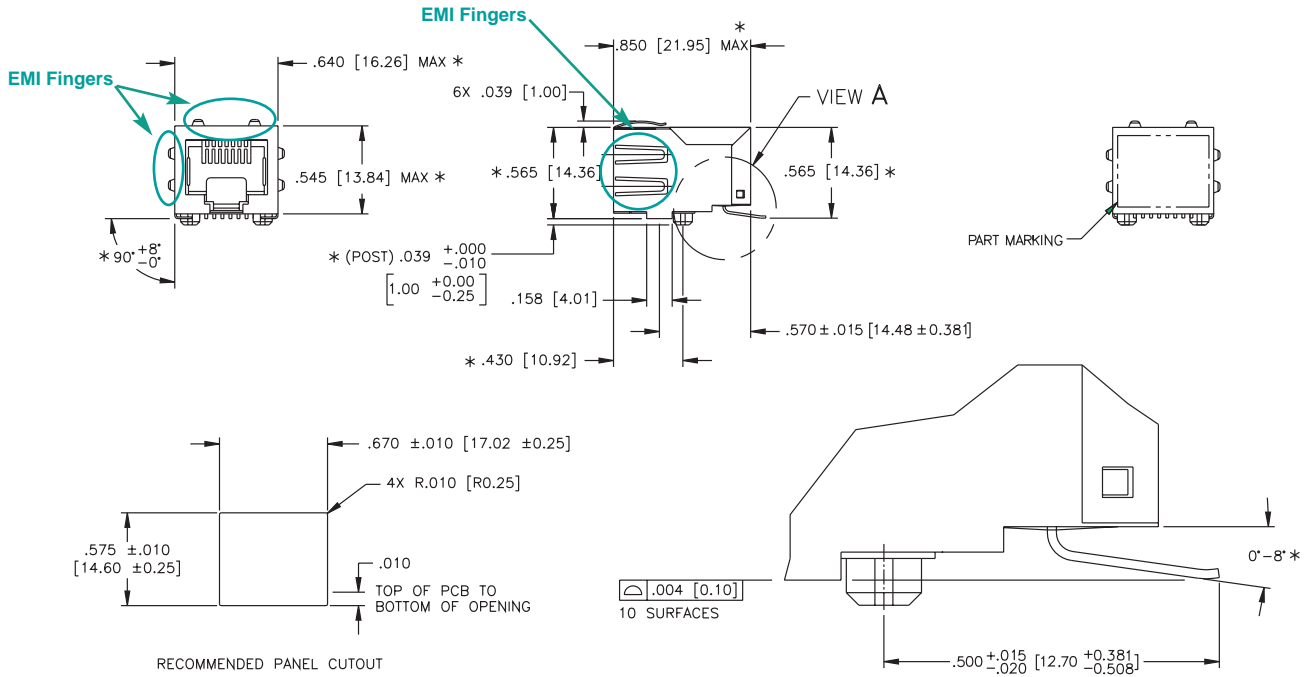


J3018/J3026



J0C Platform Mechanicals

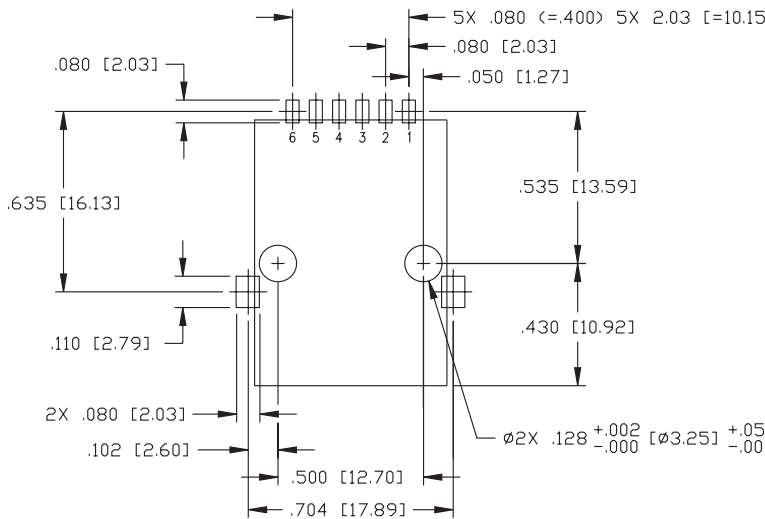
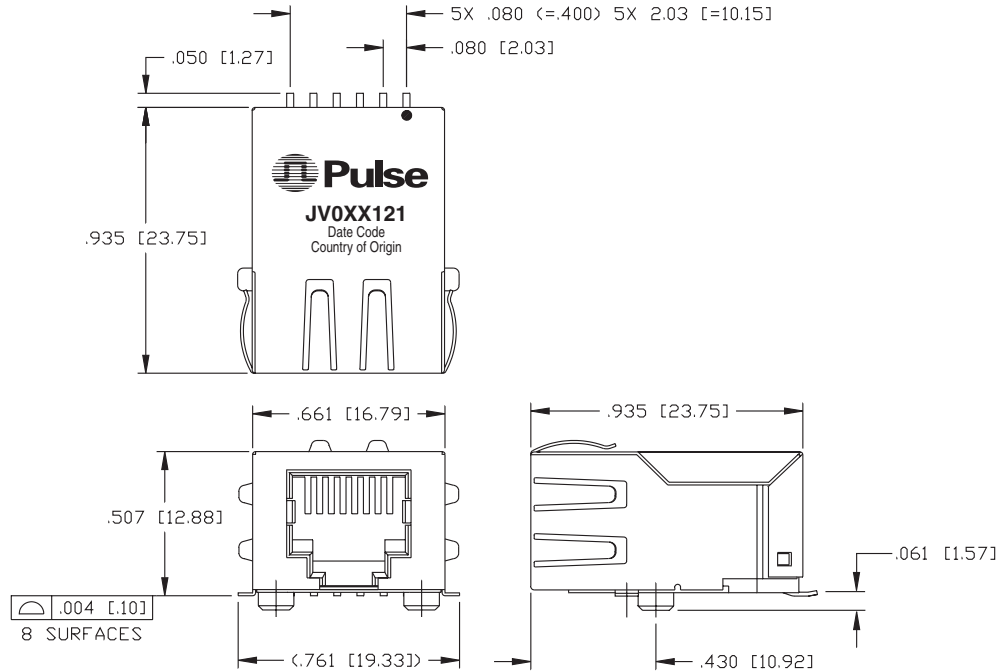
J0C-0004/6 (J0C-0003/5 - Same platform without EMI Fingers)



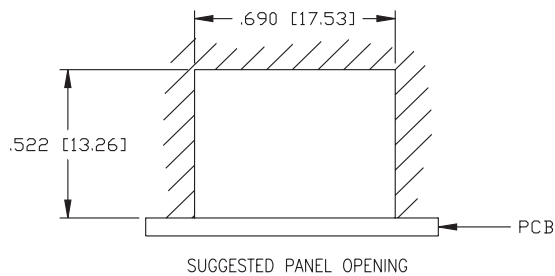
SUGGESTED FOOTPRINT (COMPONENT SIDE SHOWN)
 DIMENSIONAL TOLERANCE: (UNLESS OTHERWISE SPECIFIED)
 .XXX ±.003 [X.XX ±0.08]

JV Platform Mechanicals

JV Series



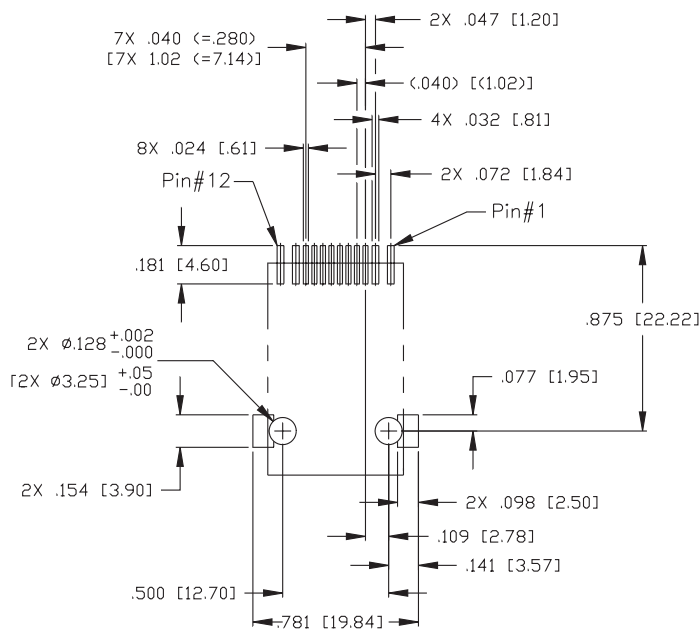
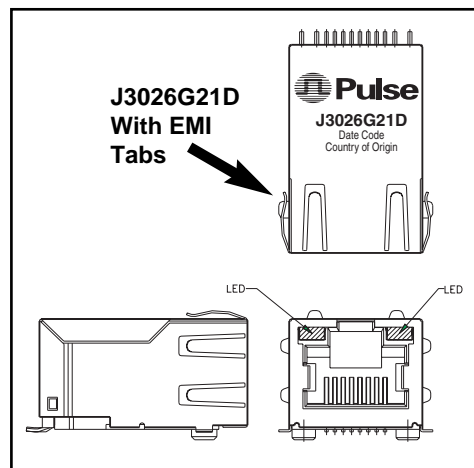
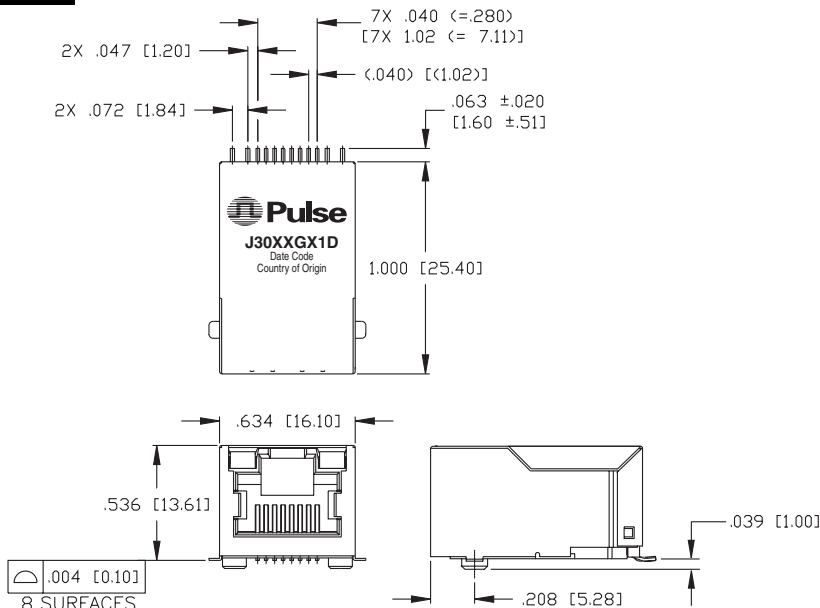
SUGGESTED PC BOARD LAYOUT VIEWED FROM COMPONENT SIDE
PCB LAYOUT DIMENSIONS TO BE $\pm .003$ UNLESS OTHERWISE SPECIFIED



Dimensions: $\frac{\text{Inches}}{\text{mm}}$
Unless otherwise specified,
all tolerances are $\pm \frac{.010}{.25}$

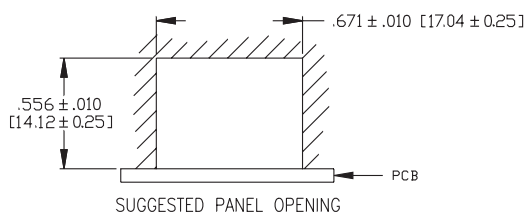
J3 Platform Mechanical

J3 Series



Dimensions: Inches
mm
Unless otherwise specified,
all tolerances are ± $\frac{.010}{0,25}$

SUGGESTED PC BOARD LAYOUT VIEWED FROM COMPONENT SIDE
PCB LAYOUT DIMENSIONS TO BE ±.003 [±0.08] UNLESS OTHERWISE SPECIFIED



JV Application Note

This line of 10/100Base-TX SMT RJ45 1X1 Connector Magnetics Modules has been specifically designed for the implementation of a 10Base-T and 100Base-TX transmission over data-grade unshielded twisted pair cable (UTP-3, 5e and 6).

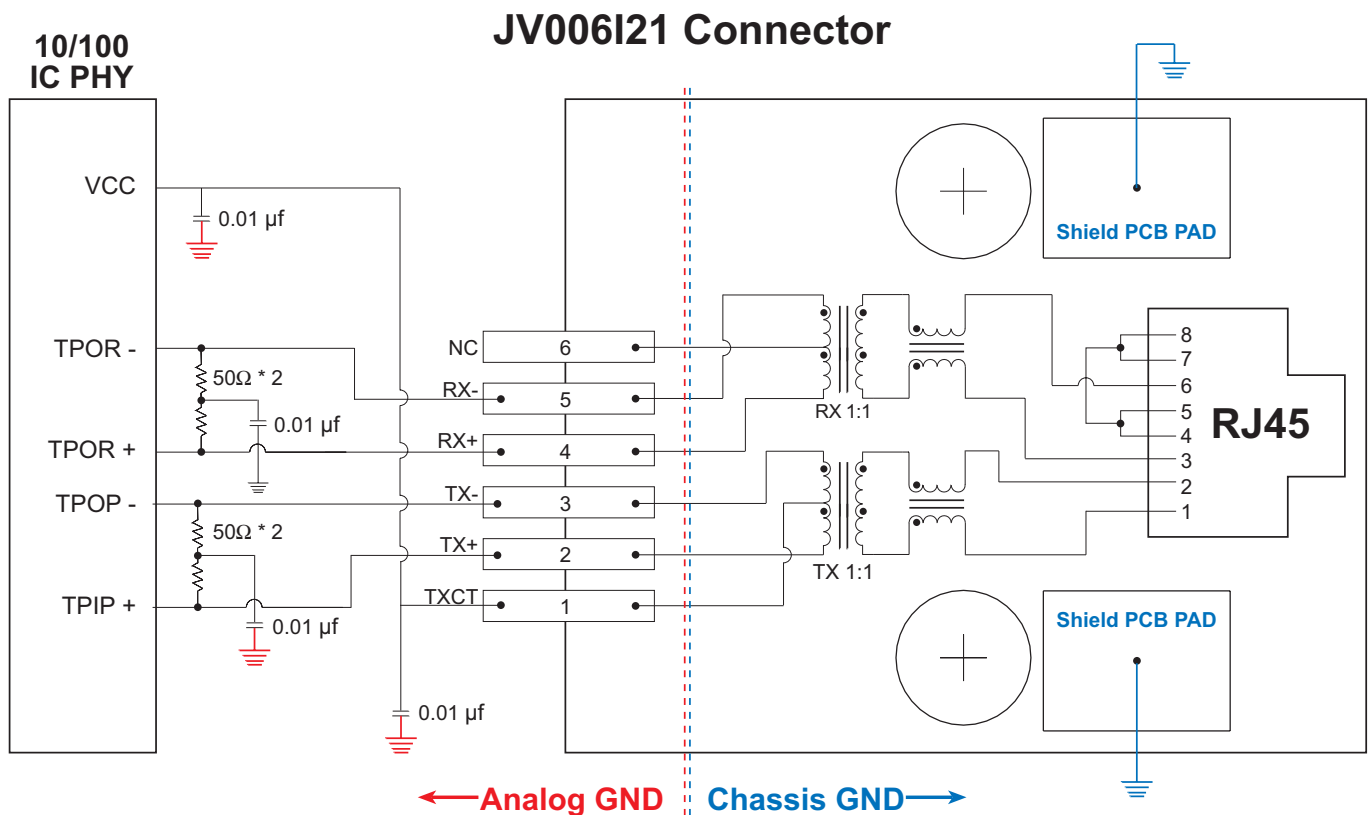
The connectors provide excellent EMI filtering and are suitable for adapter card and multiport applications. Pulse has worked closely with the leading IC manufacturers in providing these 10/100 solutions, thereby assuring compatibility with each transceiver.

The JV series meets the stringent open circuit inductance requirements imposed by IEEE. When an 8mA DC current is applied across the transformer windings, the transformer will provide at least 350µH. The transformers used in each module also provide 1500Vrms minimum isolation, wide bandwidth with

minimal attenuation and fast rise times to minimize system level jitter.

The 1X1 SMT RJ45 connectors manufactured by Pulse are designed to meet all published specifications after exposure to surface mount soldering temperatures. The SMT are robust enough to withstand convection and infrared reflow solder temperatures. Additionally, compliant leads provide excellent solder-joint reliability with a coplanarity of 0.10mm (0.004")

NOTE: Modules are packaged in trays, unless Tape & Reel is specified. Please add the suffix "T" for Tape & Reel orders (ex: JV006I21T). Add the suffix "NL" for RoHS compliant parts (ex: JV006I21NL for Trays and JV006I21NLT for Tape & Reel).



PCB Layout Recommendations:

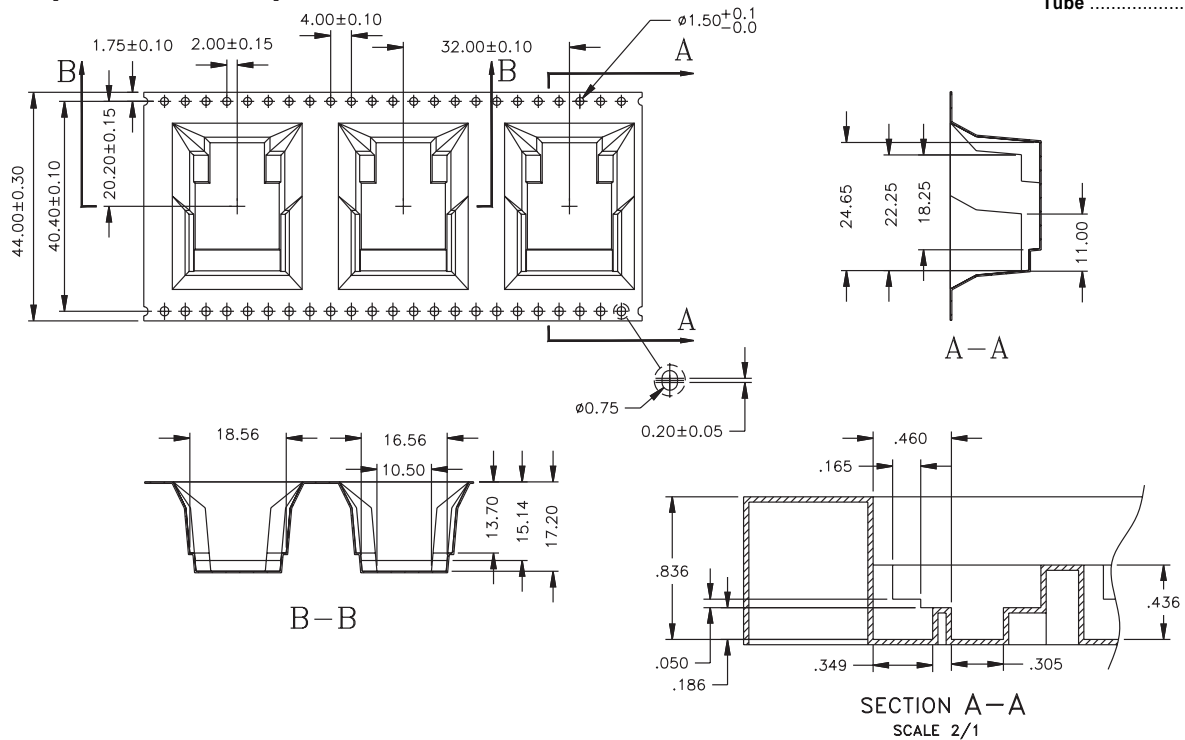
1. For maximum EMI suppression (electromagnetic interference) place the decoupling capacitors adjacent to Vcc and 50Ω connections.
2. Connections to ground should be as short as possible.
3. Connections between the 10/100 IC and the SMT connector should be direct (ideally no change in direction) and of minimum length.

J0C Packaging Specifications

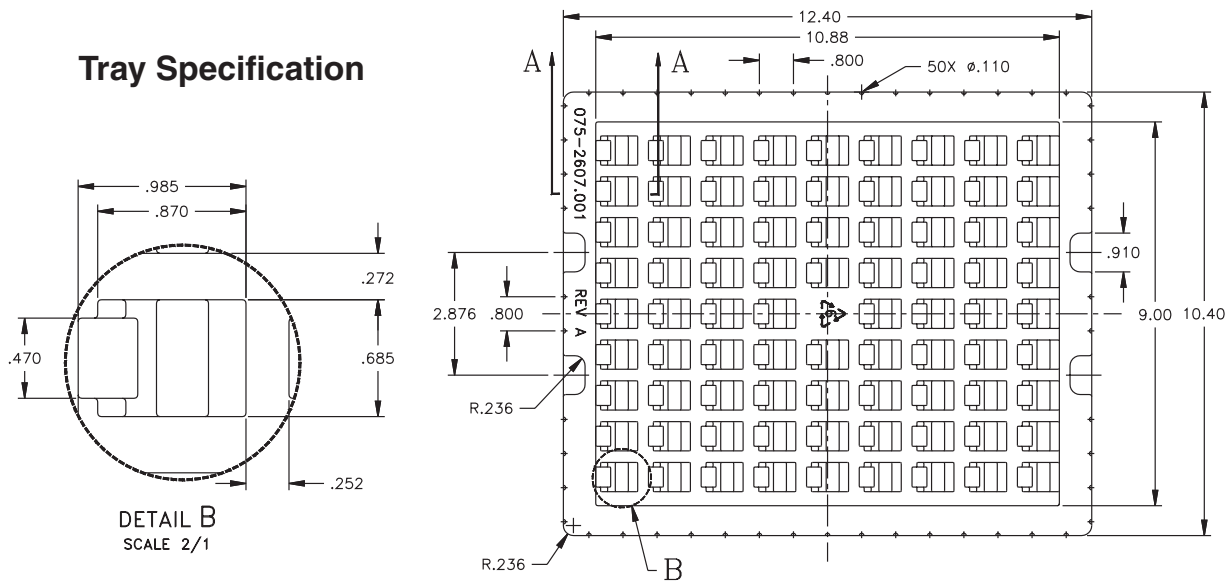
J0C Series

Weight.....7.07 grams
 Tape & Reel90/reel
 Tray80/tray
 Tape44x32mm
 Tube25/tube

Tape and Reel Specification



Tray Specification

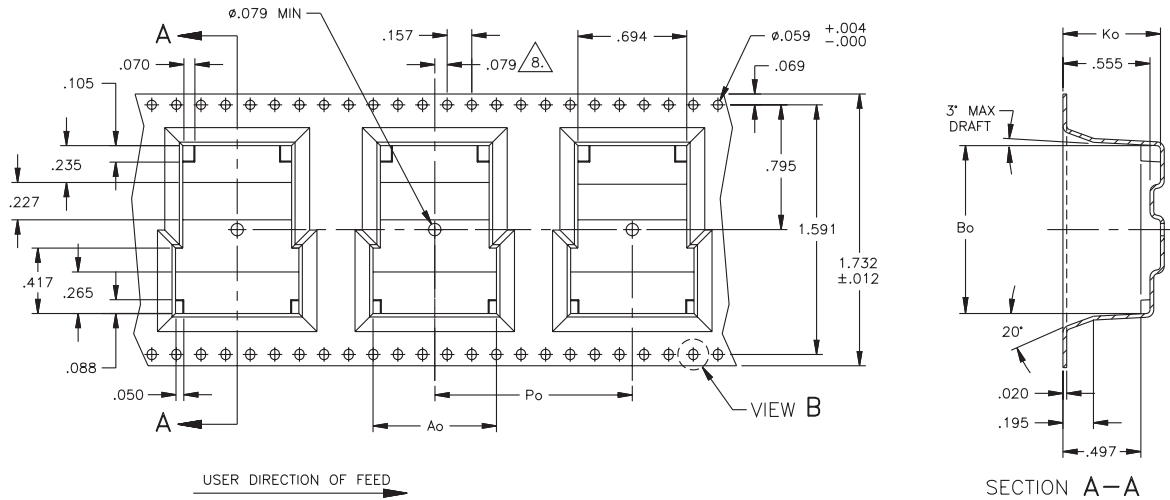


JV Packaging Specifications

JV Series

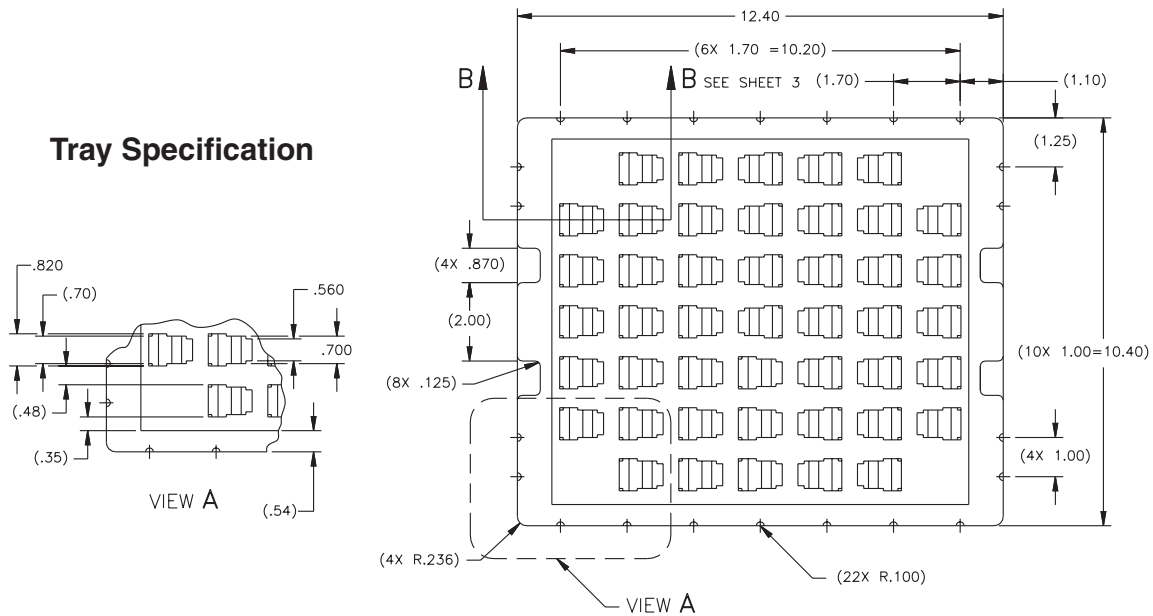
Weight6.6 grams
 Tape & Reel175/reel
 Tray45/tray
 Tape44x32mm

Tape and Reel Specification



DIM CHART	
Ao	.787
Bo	1.050
Ko	.618
Po	1.260

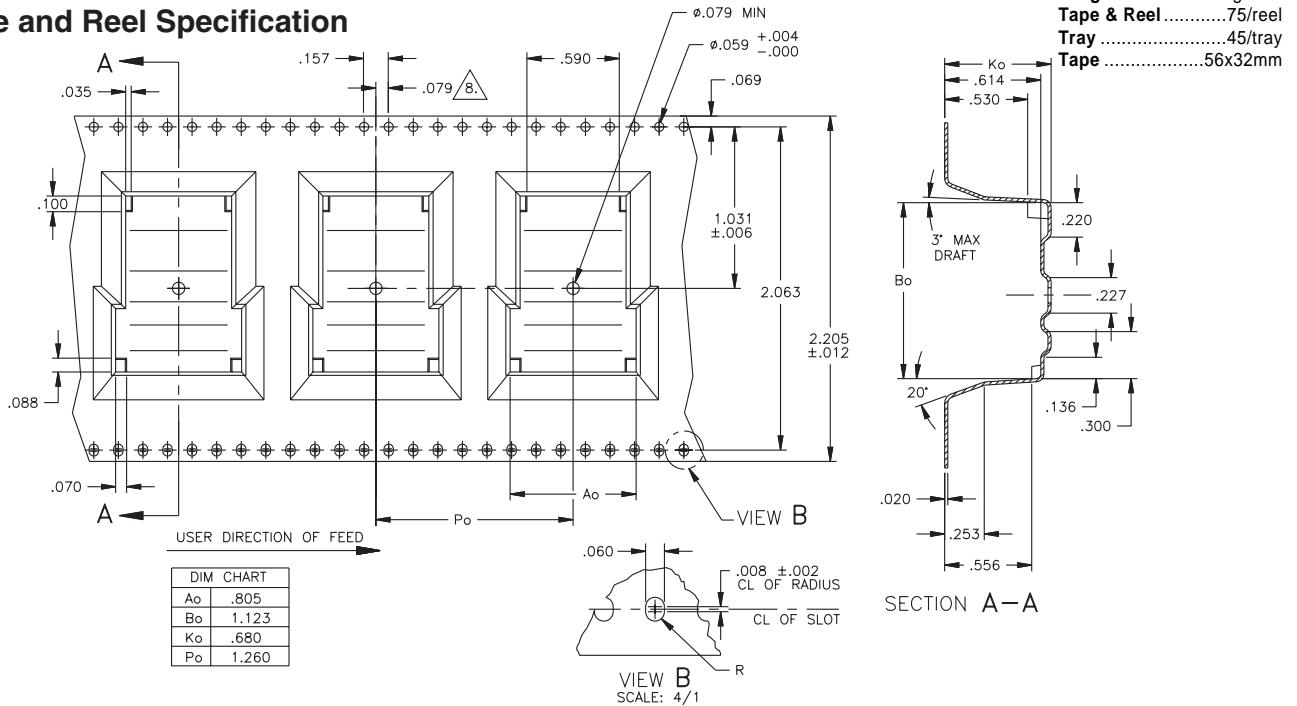
Tray Specification



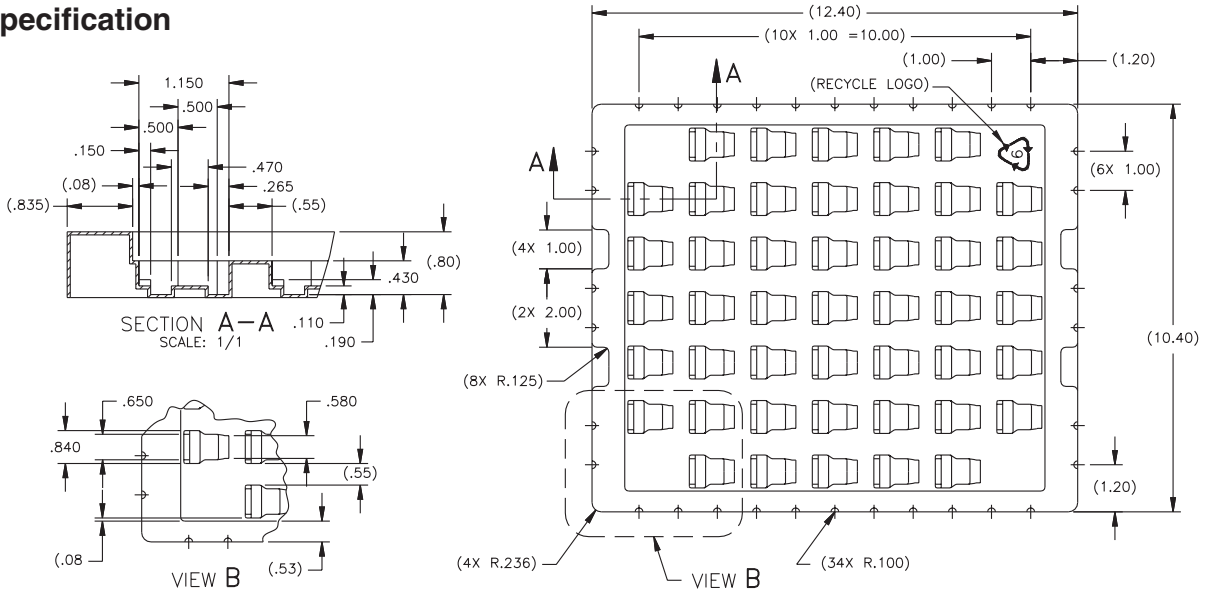
J3 Packaging Specifications

J3 Series

Tape and Reel Specification



Tray Specification



For More Information :

UNITED STATES (Worldwide)
 12220 World Trade Drive
 San Diego, CA 92128
 U.S.A.
<http://www.pulseeng.com>
 TEL: 858 674 8100
 FAX: 858 674 8262

UNITED KINGDOM (Northern Europe)
 1 & 2 Huxley Road
 The Surrey Research Park
 Guildford, Surrey GU2 5RE
 United Kingdom
 TEL: 44 1483 401700
 FAX: 44 1483 401701

FRANCE (Southern Europe)
 Zone Industrielle
 F-39270
 Orgelet
 France
 TEL: 33 3 84 35 04 04
 FAX: 33 3 84 25 46 41

SINGAPORE (Southern Asia)
 150 Kampong Ampat
 #07-01/02
 KA Centre
 Singapore 368324
 TEL: 65 6287 8998
 FAX: 65 6280 0080

TAIWAN, R.O.C. (Northern Asia)
 3F-4, No. 81, Sec. 1
 HsinTai Wu Road
 Hsi-Chih, Taipei Hsien
 Taiwan, R.O.C.
 Tel: 886 2 2698 0228
 FAX: 886 2 2698 0948

HONG KONG (China/Hong Kong)
 9/F, Phase 2, Tai Sang
 Shatin Warehouse Centre
 6 Wong Chuk Yeung Street
 Fotan, Shatin, Hong Kong
 TEL: 852 2788 6588
 FAX: 852 2776 1055

DISTRIBUTOR

Performance warranty of products offered on this data sheet is limited to the parameters specified. Data is subject to change without notice. Other brand and product names mentioned herein may be trademarks or registered trademarks of their respective owners.