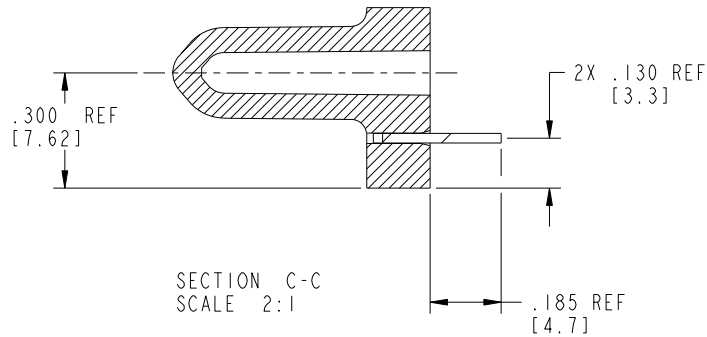
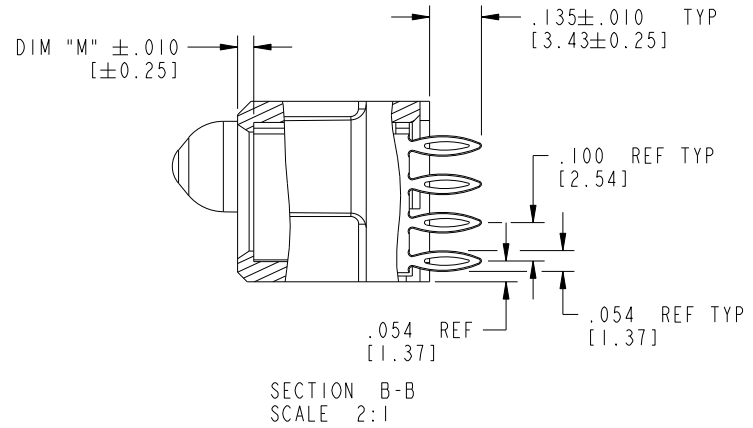
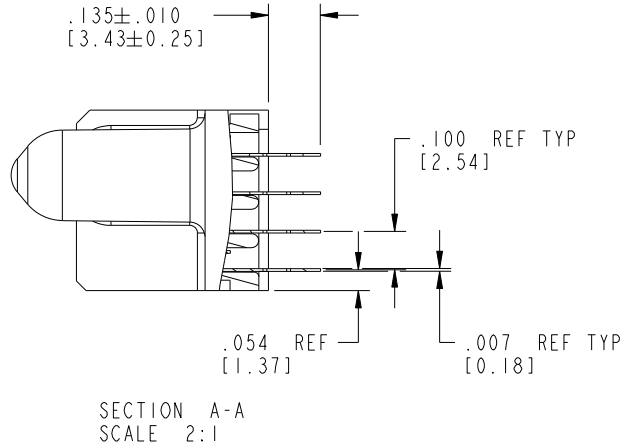


Tous droits strictement réservés. Reproduction ou communication a des tiers interdite sous quelque forme que ce soit sans autorisation écrite du propriétaire. Propriete de c FCI. Droits de reproduction FCI.

All rights strictly reserved. Reproduction or issue to third parties in any form whatever is not permitted without written authority from the proprietor. Property of FCI. Copyright FCI.



PRODUCT NUMBER
51750-056--
NOTE: ③



mat'l code		SEE NOTE 2		tolerances unless otherwise specified		CUSTOMER		FCI	
ltr	ecn no.	dr	date	linear	.XX±.01/0.X±0.3	projection	www.fciconnect.com		
C					.XX±.005/0.XX±0.13	INCH/MM	title 6P + 60S + 6P		
				angles	.XXX±.0020/0.XXX±0.051	scale	VERTICAL PRESS-FIT RECEPT		
				dr	0°±2°	1:1	product family PwrBlade		code
				enr	T. BRUNGARD 02/13/04		size	dwg no	213
				chr	M. GRAY 02/13/04		A 51750-056		sheet
				appd	M. GRAY 02/13/04				2 of 4
sheet index	revision sheet								

Pro/E

PDM: Rev: C

STATUS: Released

Printed: Dec 20, 2010

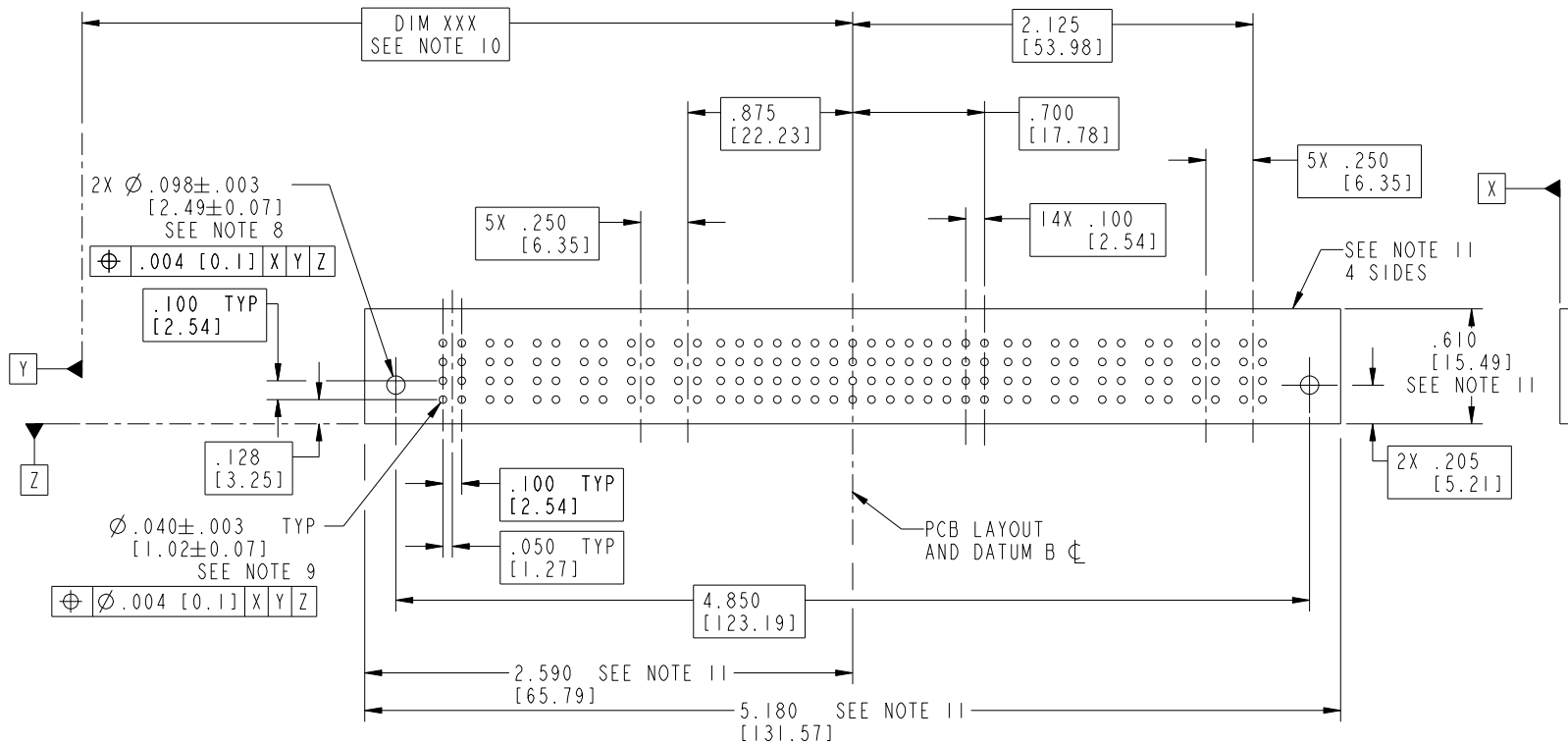
cage code 22556

Tous droits strictement réservés. Reproduction ou communication a des tiers interdite sous quelque forme que ce soit sans autorisation écrite du propriétaire. Propriété de c FCI. Droits de reproduction FCI.



All rights strictly reserved. Reproduction or issue to third parties in any form whatever is not permitted without written authority from the proprietor. Property of FCI. Copyright FCI.

PRODUCT NUMBER
51750-056--
NOTE: ③



RECOMMENDED PCB LAYOUT

mat'l code		SEE NOTE 2		tolerances unless otherwise specified		CUSTOMER		 www.fciconnect.com	
ltr	ecn no.	dr	date	linear	.XX±.01/0.X±0.3	COPY		title	
C				angles	.XXX±.005/0.XX±0.13	projection		6P + 60S + 6P	
				dr	.XXX±.0020/0.XXX±0.051			VERTICAL PRESS-FIT RECEPT	
				enr	0°±2°	INCH/MM		product family	
				chr		scale		PwrBlade	
				appd		1:1		code	
sheet index		revision sheet						size	
								dwg no	
								A 51750-056	
								sheet	
								3 of 4	

cage code 28556

Pro/E

PDM: Rev: C

STATUS: Released

Printed: Dec 20, 2010



1 | 2

3

4

PRODUCT NUMBER
51750-056--
NOTE: ③

NOTES:

1. DIMENSIONS AND TOLERANCES ARE IN ACCORDANCE WITH ASME Y14.5M, 1994 UNLESS OTHERWISE SPECIFIED.

CONNECTOR NOTES:

- ② HOUSING MATERIAL: UL 94 V-0 GLASS FILLED HIGH-TEMP THERMOPLASTIC
POWER CONTACT MATERIAL: COPPER ALLOY
SIGNAL PIN MATERIAL: COPPER ALLOY
- △③ SEE ITEM 7 & 8 IN PRINT 10064183 FOR PLATING SPEC OF 51750-056 AND 51750-056LF RESPECTIVELY.
- ④ MANUFACTURER'S NAME, P/N, AND DATE CODE TO APPEAR ON THIS SURFACE.
- 5. PRODUCT SPECIFICATION GS-12-149.
APPLICATION SPECIFICATION BUS-20-067.
- 6. PACKAGED IN TRAYS.
- PCB NOTES:
- 7. ALL HOLE DIAMETERS ARE FINISHED HOLE SIZE.
- ⑧ MOUNTING HOLES, WHERE APPLICABLE, ARE UNPLATED.
- ⑨ $\varnothing .0453 \pm .0010$ [1.151 ± 0.025] DRILLED HOLES PLATED WITH
.0003 [0.008] MIN SnPb OVER .001 [0.03]
TO .003 [0.08] Cu PLATING TO ACHIEVE
 $\varnothing .040 \pm .003$ [1.02 ± .07] HOLE.
- ⑩ "DIM XXX" TO BE DETERMINED BY THE CUSTOMER.
- ⑪ CONNECTOR KEEP-OUT ZONE.
- 12. A△ SYMBOL WILL BE NEXT TO ANY DIMENSION, VIEW, OR NOTE WHICH HAS BEEN MODIFIED WITH THE CURRENT DRAWING REVISION.

mat'l code				SEE NOTE 2		tolerances unless otherwise specified		CUSTOMER		FCI	
ltr	ecn no.	dr	date	linear	.XX±.01/0.X±0.3	projection		COPY		www.fciconnect.com	
C				angles	.XXX±.005/0.XX±0.13 .XXX±.0020/0.XXX±0.051			title		6P + 60S + 6P	
				dr	0° ± 2°			product family		PwrBlade	
				enrg	T. BRUNGARD 02/13/04	scale		size		213	
				chr	M. GRAY 02/13/04	1:1		dwg no		sheet	
				appd	M. GRAY 02/13/04			A		4 of 4	
sheet index		revision sheet									

1 | 2

Pro/E

PDM: Rev: C

STATUS: Released

Printed: Dec 20, 2010

A

A

B

B

cage code 2856

4