

4

3

2

1

THIS DRAWING IS UNPUBLISHED.

RELEASED FOR PUBLICATION

20

LOC

DIST

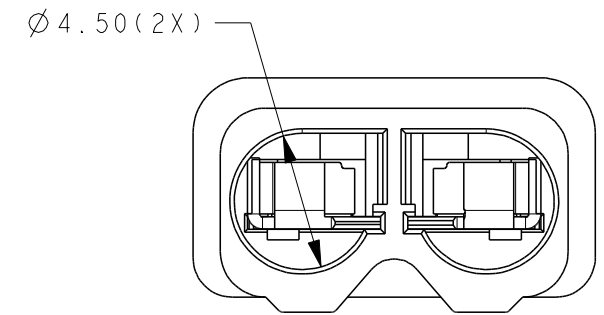
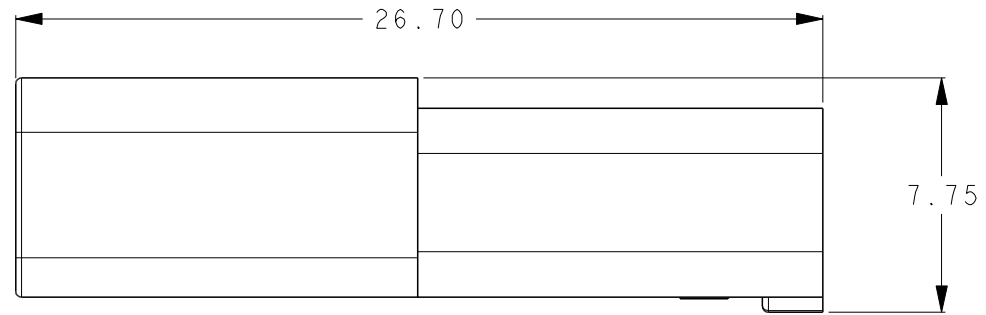
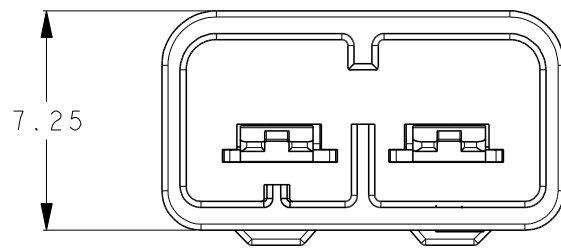
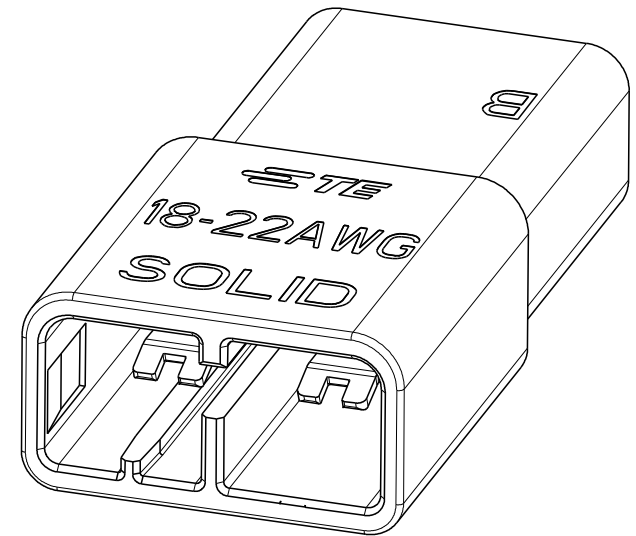
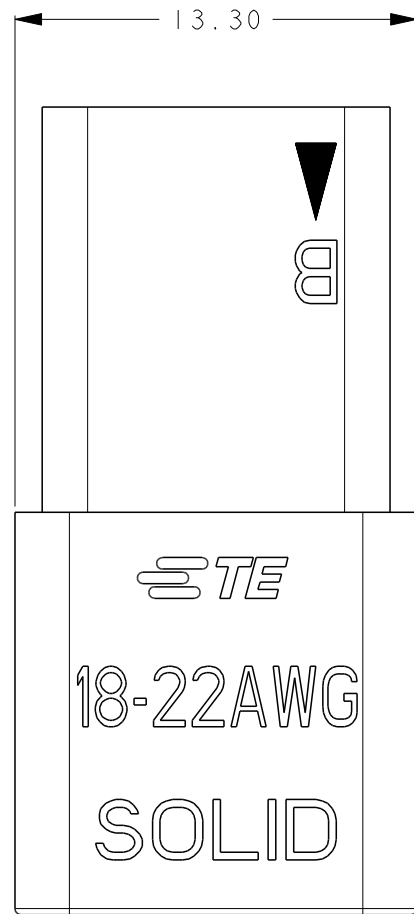
REVISIONS

© COPYRIGHT 20

ALL RIGHTS RESERVED.

ES

P	LTR	DESCRIPTION	DATE	DWN	APVD
	A3	NOTE 4, 6	05DEC2014	M.S	X.X
	A4	MARK CHANGE	14MAY2015	M.S	X.X
	A5	ADD PN	13OCT2015	M.S	X.X
	B	ECR-16-007582	01JUN2016	M.S	X.X



PART NUMBER	PART COLOR
2271183-1	ORANGE
2271183-2	BLACK
2271183-3	WHITE (NATURAL)

- NOTES:
- 1. TE PART NUMBER: SEE TABLE.
  - 2. MATERIAL: COPPER ALLOY.
  - 3. HOUSING: NYLON, UL 94-V0. COLOR: ORANGE.
  - 4. FINISH: TERMINAL: TIN PLATING OVERALL.
  - 5. APPLICABLE WIRE: AWG18-22 SOLID OR TIN DIPPED STRANDED. (16 STRANDS MAX. FOR 18 AWG, 7 STRANDS MAX FOR 20-22 AWG. SEE RELATED APPLICATION SPECIFICATION AND PRODUCT SPECIFICATION)
  - 6. STRIP LENGTH: 9.0-9.6mm.
  - 7. APPLICABLE MATING PLUG: 2271180 SERIES.
  - 8. PRODUCT COMPLIES TO UL 2459 REQUIREMENT AND QUALIFIED: ZMNA.E308110 ; ZMNA7.E308110

THIS DRAWING IS A CONTROLLED DOCUMENT.		DWN	18DEC2013	<b>TE</b> TE Connectivity
		CHK	SHI MING 18DEC2013	
		APVD	XU XIANG 18DEC2013	
		NAME	XU XIANG	
DIMENSIONS: mm		PRODUCT SPEC	108-137020	2 PINS WIRE TO WIRE CONNECTOR RECEPTACLE
TOLERANCES UNLESS OTHERWISE SPECIFIED: ± 0.5		APPLICATION SPEC	114-137020	
MATERIAL		WEIGHT	1.82 g	SIZE
FINISH		A300779C-2271183		CAGE CODE
		CUSTOMER DRAWING		DRAWING NO
		SCALE 4:1		RESTRICTED TO
		SHEET 1 OF 3		-
		REV B		

4

3

2

1

THIS DRAWING IS UNPUBLISHED.

RELEASED FOR PUBLICATION

20

© COPYRIGHT 20

ALL RIGHTS RESERVED.

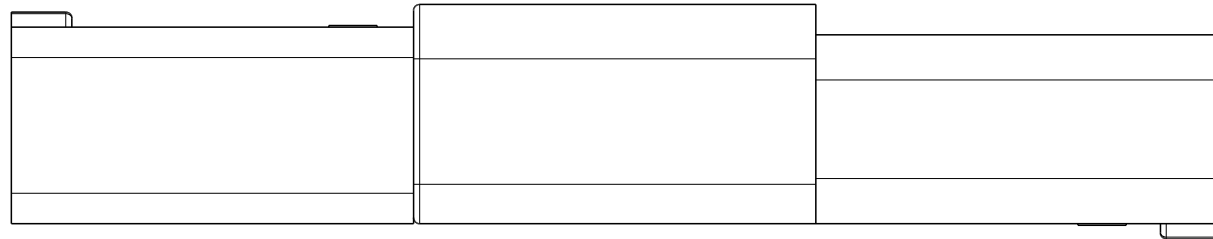
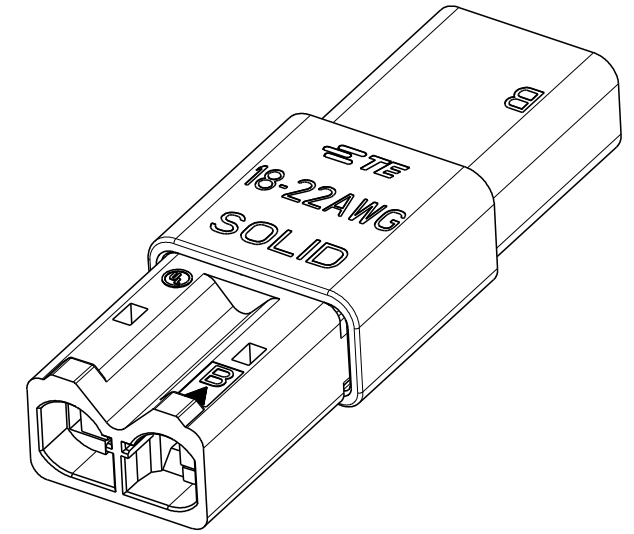
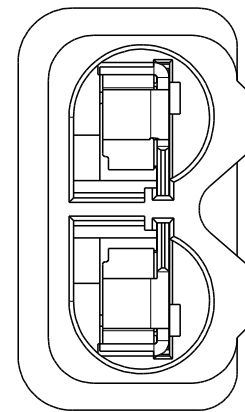
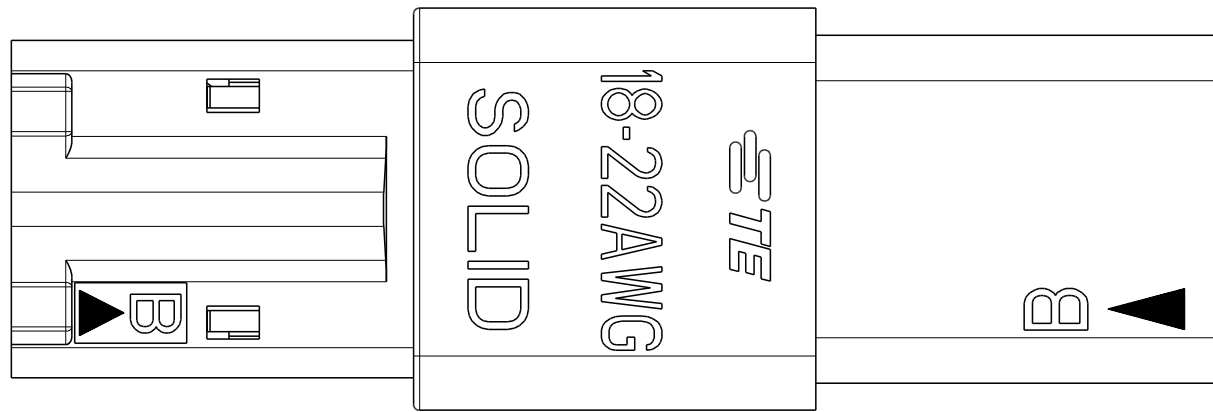
LOC  
ES

DIST

REVISIONS

P	LTR	DESCRIPTION	DATE	DWN	APVD

MATED WITH PLUG



THIS DRAWING IS A CONTROLLED DOCUMENT.

DIMENSIONS:  
mm



MATERIAL

TOLERANCES UNLESS OTHERWISE SPECIFIED:  
± 0.5

0-PLC	±
1-PLC	±
2-PLC	±
3-PLC	±
4-PLC	±
ANGLES	± 5°

FINISH

DWN	18DEC2013
CHK	SHI MING
APVD	XU XIANG
NAME	XU XIANG

PRODUCT SPEC	-
APPLICATION SPEC	-
WEIGHT	-

CUSTOMER DRAWING

**STE** TE Connectivity

2 PINS WIRE TO WIRE CONNECTOR RECEPTACLE

SIZE	CAGE CODE	DRAWING NO	RESTRICTED TO
A3	00779	C-2271183	-

SCALE 4:1 SHEET 2 OF 3 REV B

D

C

B

A

4

3

2

1

THIS DRAWING IS UNPUBLISHED.

RELEASED FOR PUBLICATION

20

© COPYRIGHT 20

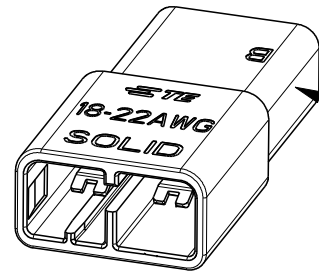
ALL RIGHTS RESERVED.

LOC  
ES

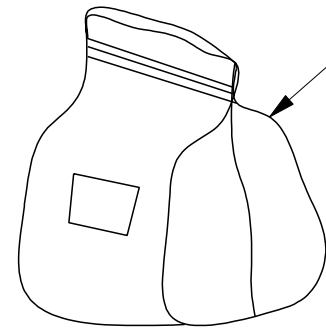
DIST

REVISIONS

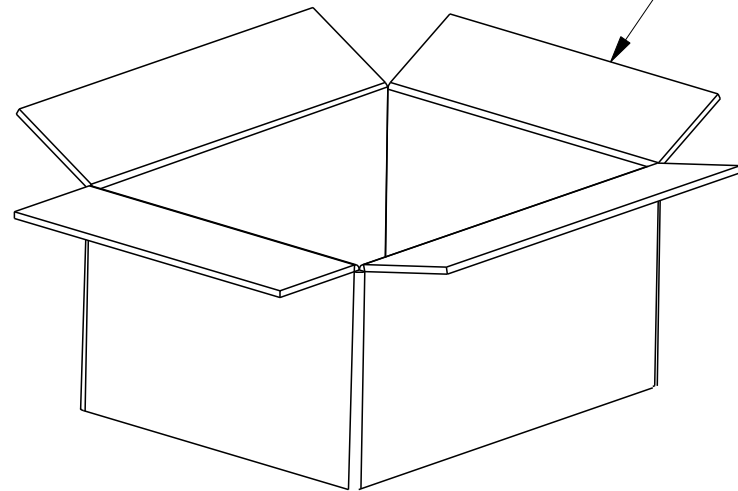
P	LTR	DESCRIPTION	DATE	DWN	APVD



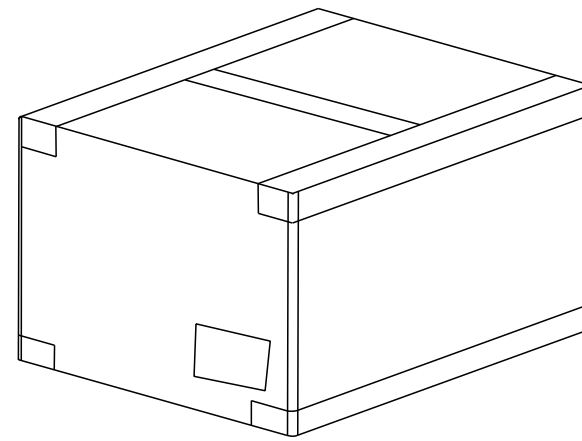
2271183-X



PLASTIC BAG



CARTON



NOTE:  
1. PACKAGING QUANTITY: SEE TABLE.

PARTS PER BAG	BAGS PER CARTON	PARTS PER CARTON
500 PCS	8	4000 PCS

THIS DRAWING IS A CONTROLLED DOCUMENT.

DWN 18DEC2013

CHK SHI MING

18DEC2013

APVD XU XIANG

18DEC2013

PRODUCT SPEC

-

APPLICATION SPEC

-

WEIGHT

-



TE Connectivity

NAME  
2 PINS WIRE TO WIRE CONNECTOR  
RECEPTACLE

SIZE CAGE CODE DRAWING NO

A300779C-2271183

RESTRICTED TO

-

DIMENSIONS:  
mm



TOLERANCES UNLESS  
OTHERWISE SPECIFIED:

0 PLC	±	
1 PLC	±	10.0
2 PLC	±	5.0
3 PLC	±	
4 PLC	±	
ANGLES	±	5°

MATERIAL

-

FINISH

-

CUSTOMER DRAWING

SCALE 4:1

SHEET 3 OF 3

REV B

D

C

B

A