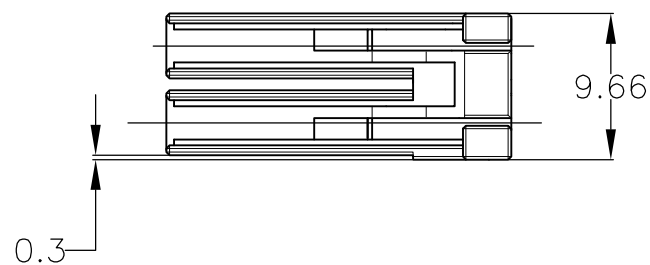


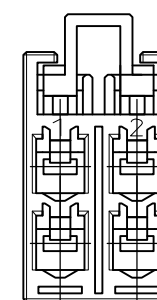
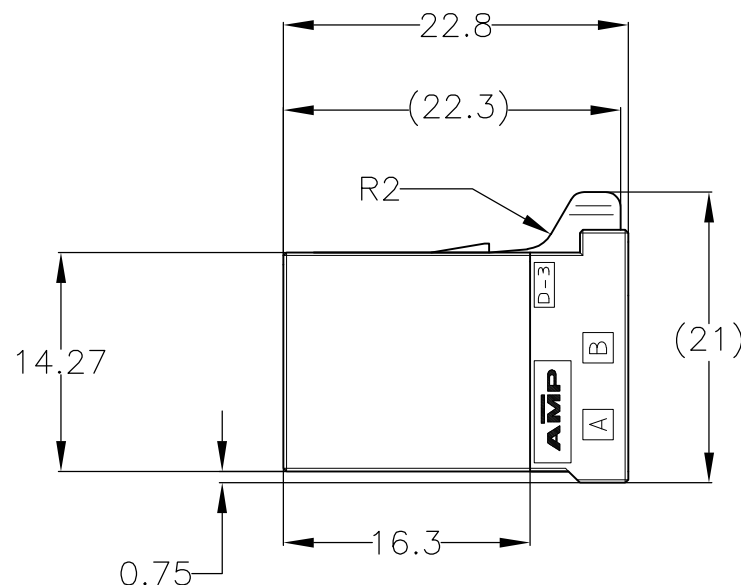
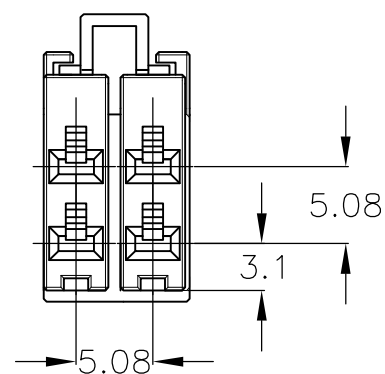
THIS DRAWING IS UNPUBLISHED. RELEASED FOR PUBLICATION
 © COPYRIGHT - By - ALL RIGHTS RESERVED.

LOC	DIST	REVISIONS					
J	-	P	LTR	DESCRIPTION	DATE	DWN	APVD
			E1	REVISED PER ECO-11-005030	11MAR11	RK	HMR



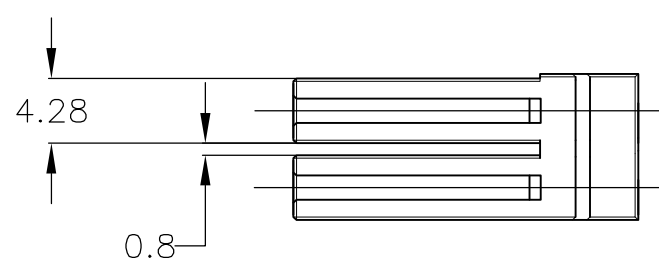
175363-1,-3;AS SHOWN
 △ 1,2,3,4-175363-1;AS SHOWN

1. MATERIAL : GLASS FILED THERMO PLASTIC POLYESTER, COLOR ; BLACK, NATURAL, BLUE, YELLOW, RED
2. CONTACT FOR THIS CONNECTOR : 175194,175195,175196
CONTACT FOR THIS CONNECTOR (L/P) : 175216,175217,175218
3. PRODUCT SPECIFICATION : 108-5349
4. QUALIFICATION TEST REPORT : 501-5013
- △ ITEM WITH DIFFERENT COLOR OF 175363-1 (SEE TABLE)
- △ SPECIAL LOCK SHAPE TYPE

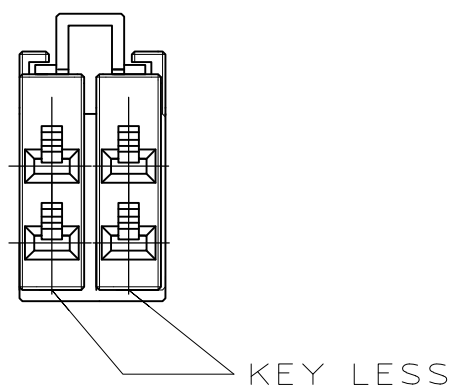


1. 材料 熱可塑性ポリエステル樹脂、色黒、白、青、黄、赤
2. 使用端子:175194,175195,175196
使用端子(L/P):175216,175217,175218
3. 製品規格:108-5349
4. 認定試験報告書:501-5013
- △ 175363-1の色違いアイテム(表参照)
- △ ロック形状違い

175363-1
 △ 1-175363-1
 2-175363-1
 3-175363-1
 4-175363-1
 TYPE A



KEY LESS	BLACK	175363-3	1 OF 2
X △	BLACK	175363-2	2 OF 2
X	RED	4-175363-1	1 OF 2
X	YELLOW	3-175363-1	1 OF 2
X	BLUE	2-175363-1	1 OF 2
X	NATURAL	1-175363-1	1 OF 2
X	BLACK	175363-1	1 OF 2
KEY	COLOR	PART NO	SEE SHEET



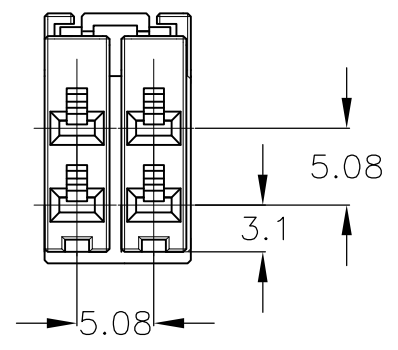
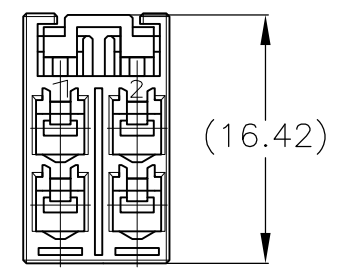
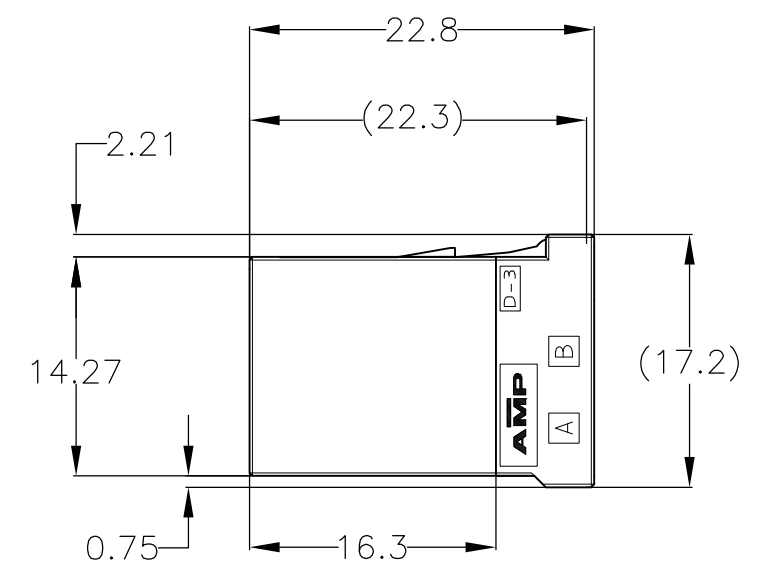
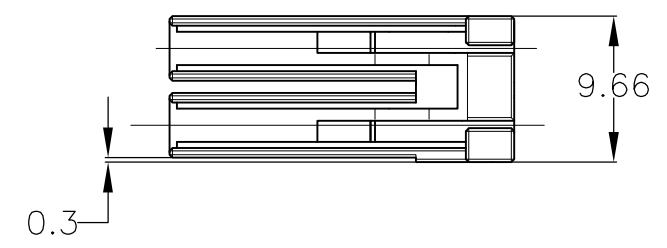
175363-3 ONLY
 TYPE C

THIS DRAWING IS A CONTROLLED DOCUMENT.		DWN	18MAR1992	TE Connectivity DYNAMIC (D-3500) REC HSG 4POS		
		CHK	06APR1992			
		APVD	06APR1992			
		PRODUCT SPEC	108-5349			
DIMENSIONS: mm		TOLERANCES UNLESS OTHERWISE SPECIFIED:		NAME		
		0 PLC	± 0.3	108-5349		
		1 PLC	± 0.3	APPLICATION SPEC		
		2 PLC	± 0.3	114-5148		
		3 PLC	± -	SIZE		
		4 PLC	± -	CAGE CODE		
		ANGLES	± 3'	DRAWING NO		
MATERIAL		FINISH		RESTRICTED TO		
-		-		-		
CUSTOMER DRAWING				WEIGHT	A3 00779 C-175363	
				SCALE		2:1
				SHEET		1 OF 2
				REV		E1

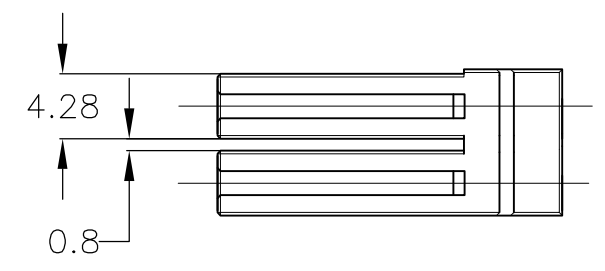
THIS DRAWING IS UNPUBLISHED. RELEASED FOR PUBLICATION
 © COPYRIGHT - By - ALL RIGHTS RESERVED.

LOC	DIST	REVISIONS			
P	LTR	DESCRIPTION	DATE	DWN	APVD
J	-	SEE SHEET 1	-	-	-

△175363-2;AS SHOWN



△175363-2 ONLY
TYPE B



- 1. MATERIAL : GLASS FILED THERMO PLASTIC POLYESTER, COLOR ; BLACK
- 2. CONTACT FOR THIS CONNECTOR : 175194,175195,175196
CONTACT FOR THIS CONNECTOR (L/P) : 175216,175217,175218
- 3. PRODUCT SPECIFICATION : 108-5349
- 4. QUALIFICATION TEST REPORT : 501-5013
- △ ITEM WITH DIFFERENT COLOR OF 175363-1 (SEE TABLE)
- △ SPECIAL LOCK SHAPE TYPE

- 1. 材料 熱可塑性ポリエステル樹脂、色黒
- 2. 使用端子:175194,175195,175196
使用端子(L/P):175216,175217,175218
- 3. 製品規格:108-5349
- 4. 認定試験報告書:501-5013
- △ 175363-1の色違いアイテム(表参照)
- △ ロック形状違い

THIS DRAWING IS A CONTROLLED DOCUMENT.		DWN T.YONEBAYASHI 18MAR1992	TE Connectivity		
DIMENSIONS: mm		CHK S.MANABE 06APR1992			
TOLERANCES UNLESS OTHERWISE SPECIFIED:		APVD S.MANABE 06APR1992	PRODUCT SPEC 108-5349		
0 PLC ± -		APPLICATION SPEC 114-5148			
1 PLC ± -		WEIGHT -		SIZE A3	CAGE CODE 00779
2 PLC ± -		CUSTOMER DRAWING		DRAWING NO C-175363	RESTRICTED TO -
3 PLC ± -		SCALE 2:1		SHEET 2 OF 2	REV E1
4 PLC ± -					
ANGLES ± -					
FINISH -					