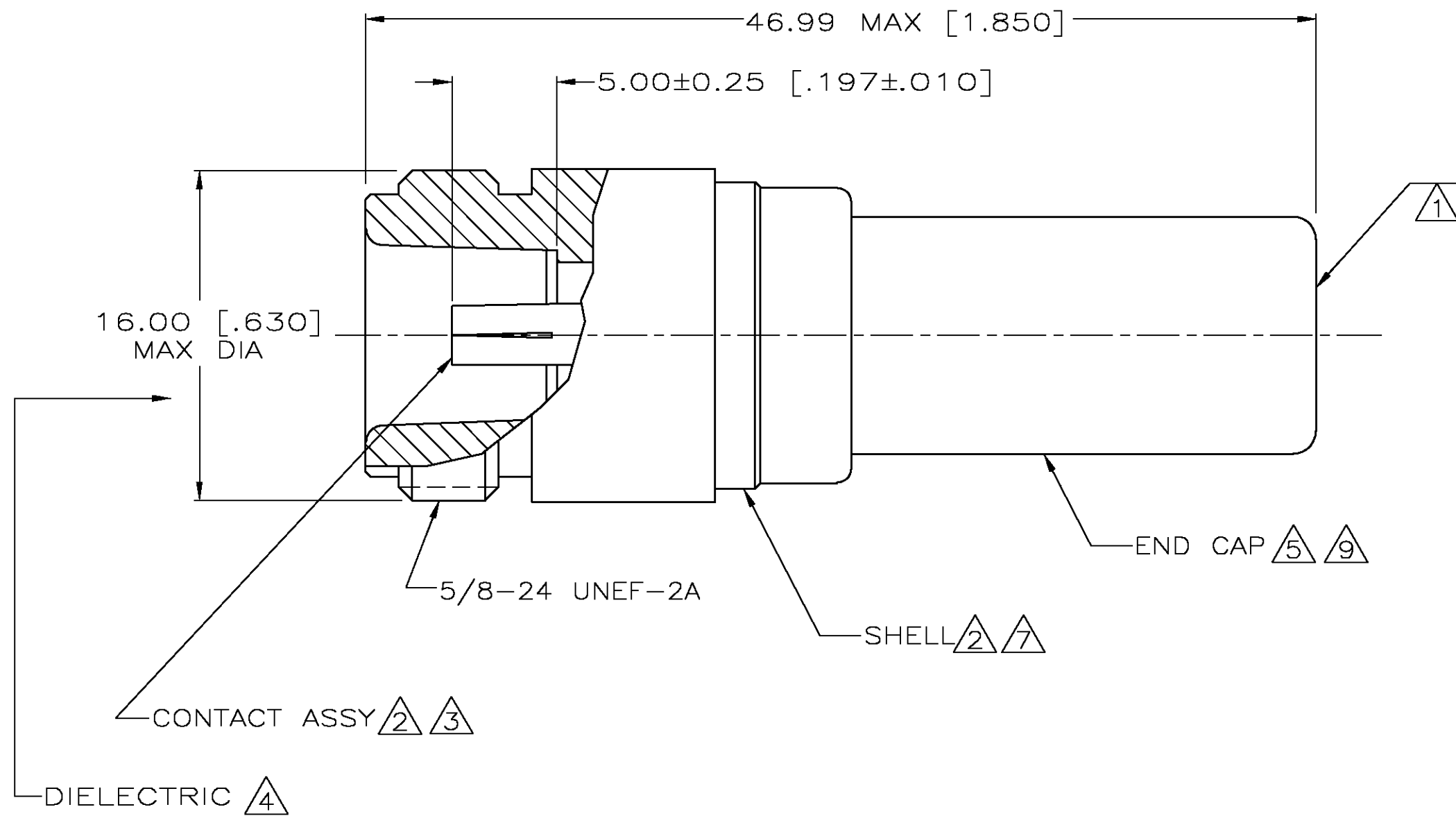


THIS DRAWING IS UNPUBLISHED. RELEASED FOR PUBLICATION
 © COPYRIGHT BY TYCO ELECTRONICS CORPORATION. ALL RIGHTS RESERVED.

LOC	DIST	REVISIONS			
P	LTR	DESCRIPTION	DATE	DWN	APVD
AJ	16	J	PER EC OS14-0181-04	16DEC04	GM GM



- ① STEEL STAMP 500, 1W, CHARACTERS, THIS SURFACE
- ② BRASS PER QQ-B-626
- ③ BERYLLIUM COPPER PER QQ-C-530
- ④ PTFE PER MIL-P-19468
- ⑤ COPPER PER QQ-C-576
- ⑥ SILVER PL PER QQ-S-365, 2.54µm [.000100] MIN THK
- ⑦ NICKEL PL PER QQ-N-290, 2.54µm [.000100] MIN THK
- ⑧ GOLD PL PER MIL-G-45204, 2.54µm [.000100] MIN THK
- ⑨ TIN PLATE PER ASTM-B-545, 2.54µm [.000100] MIN THK
- ⑩ SEE SEPERATE RESTRICTED CUSTOMER DRAWING WITH THIS PART NUMBER
- ⑪ SAME AS 227997-3 EXCEPT PACKAGED 10 PER BOX

SUPSD BY 227997-2	⑪	-	227997-5
SUPSD BY 227997-1	⑩	-	227997-4
SUPSD BY 227997-1	⑩	-	227997-3
OBSOLETE	⑥		227997-2
	⑧		227997-1
CONTACT FINISH		PART NUMBER	

THIS DRAWING IS A CONTROLLED DOCUMENT.		DWN	M. SNEED	4-24-91	 Tyco Electronics Corporation Harrisburg, PA 17105-3608					
DIMENSIONS: INCHES		CHK	R. HENRY	4-24-91						
TOLERANCES UNLESS OTHERWISE SPECIFIED:		APVD	R. HENRY	4-24-91						
0 PLC ± - 1 PLC ± - 2 PLC ± - 3 PLC ± - 4 PLC ± - ANGLES ± -		PRODUCT SPEC	-							
MATERIAL	NOTES 2 THRU 5	FINISH	NOTES 6 THRU 9	WEIGHT	-					
		SIZE		A2	CAGE CODE	00779	DRAWING NO	C=227997	RESTRICTED TO	-
		SCALE		4:1	SHEET		1 OF 1	REV	J	

227997

A