

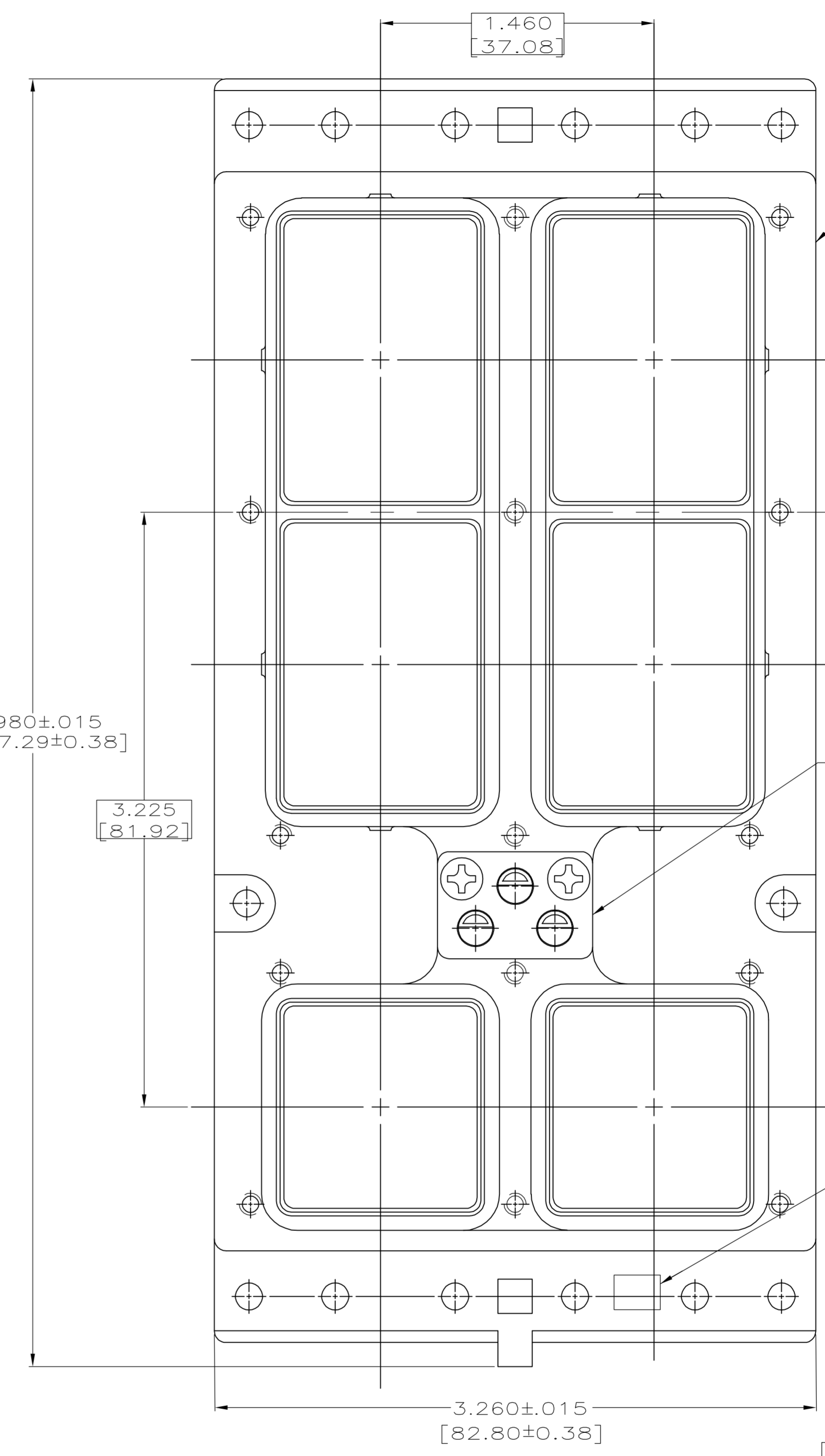
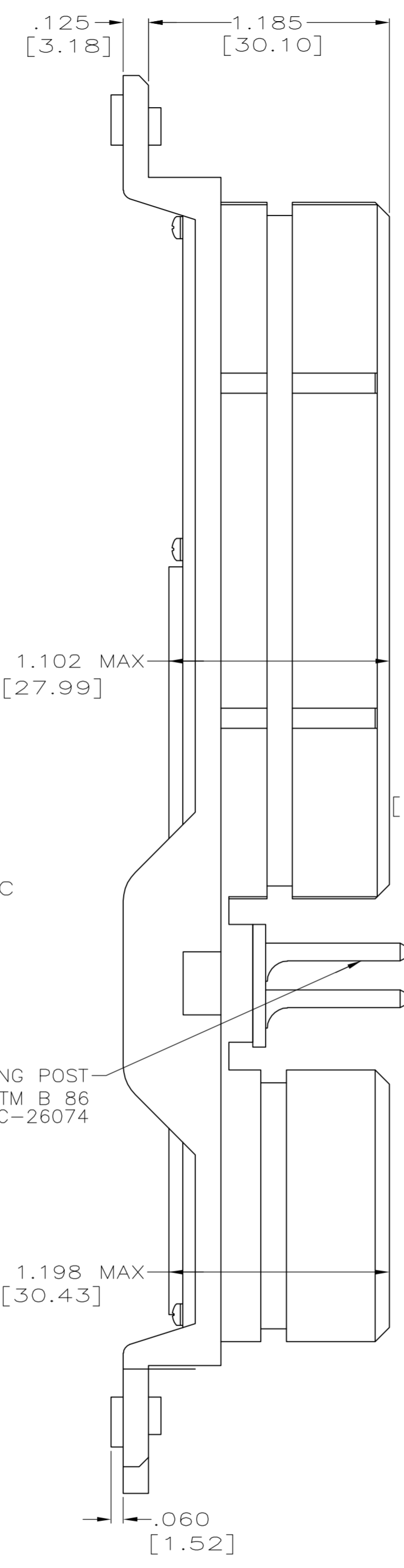
INSERT ASSY, TYP
 MAT'L: EPOXY PER MIL-M-24325

#4-40 SCREW & LOCKWASHER
 MAT'L: STEEL
 FINISH: CHROMATE OVER ZINC
 15 PLACES

POLARIZING POST
 MAT'L: ZINC ALLOY PER ASTM B 86
 FINISH: ELECTROLESS NICKEL PER MIL-C-26074

INSERT RETENTION PLATES
 MATERIAL: ALUMINUM ALLOY
 FINISH: CHEMICAL CONVERSION
 PER MIL-C-5541 CLASS 1A

Ø .148±.003
 [3.76±0.08]
 14 PLC



SHELL,
 MAT'L: ALUMINUM ALLOY PER
 ASTM-B-85
 FINISH: CHEMICAL CONVERSION PER
 MIL-C-5541 CLASS 1A

RETAINER PLATE
 MAT'L: ALUMINUM ALLOY PER AMS-QQ-A-250
 FINISH: BLUE ANODIZED PER MIL-A-8625

DATE CODE MARKED
 IN THIS AREA

- CONTACTS ARE INCLUDED IN A CONTAINER WITHIN THE CONNECTOR PACKAGE WHEN CONNECTOR IS ORDERED WITH CONTACTS.
- COAX CONTACTS NOT SUPPLIED IN KIT. MUST BE ORDERED SEPARATELY.
- POLARIZING KEYS SHOWN IN POSITION 01 FOR ILLUSTRATION ONLY. CONNECTORS SHIPPED WITH KEYING PER ORDERING INSTRUCTIONS.

NIC66K34A01AA0	208976-8
NIC66K32A01AA0	208976-7
NIC66K33A01AA0	208976-6
NIC66K31A00AA0	208976-5
NOT RELEASED	208976-4
NIC66K31A01AA1	208976-3
NIC66K33A01AA1	208976-2
NIC66K31A01AA0	208976-1
DESCRIPTIVE NUMBER	PART NUMBER

THIS DRAWING IS A CONTROLLED DOCUMENT.

DIMENSIONS: INCHES	TOLERANCES UNLESS OTHERWISE SPECIFIED:	DWN: C.C.THOMAS 2-15-99	APVD: S.GLATFELTER 2-17-99	NAME: S.GLATFELTER 2-17-99	tyco Electronics	Tyco Electronics Corporation Harrisburg, Pa 17105-3608
0 PLC ± -	1 PLC ± -	2 PLC ± -	3 PLC ± .005 [0.13]	4 PLC ± -	PRODUCT SPEC	PLUG ASSY, SIZE 3, CLASS A, ARINC 600
ANGLES ± -	FINISH SEE CALLOUTS	WEIGHT -	SIZE: A1	CAGE CODE: 00779	DRAWING NO: 208976	RESTRICTED TO: -
MATERIAL SEE CALLOUTS	FINISH SEE CALLOUTS	WEIGHT -	SCALE: 2:1	SHEET: 1 OF 1	REV: J	CUSTOMER DRAWING