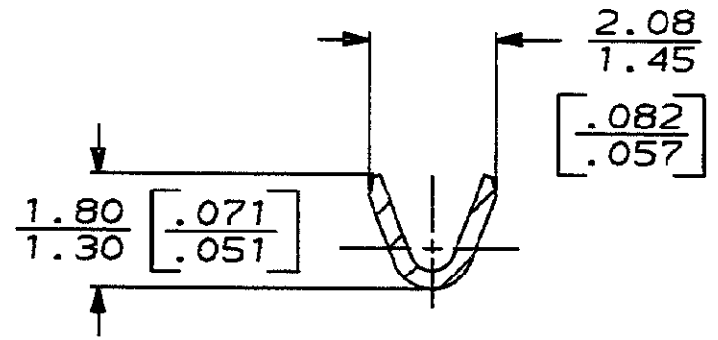
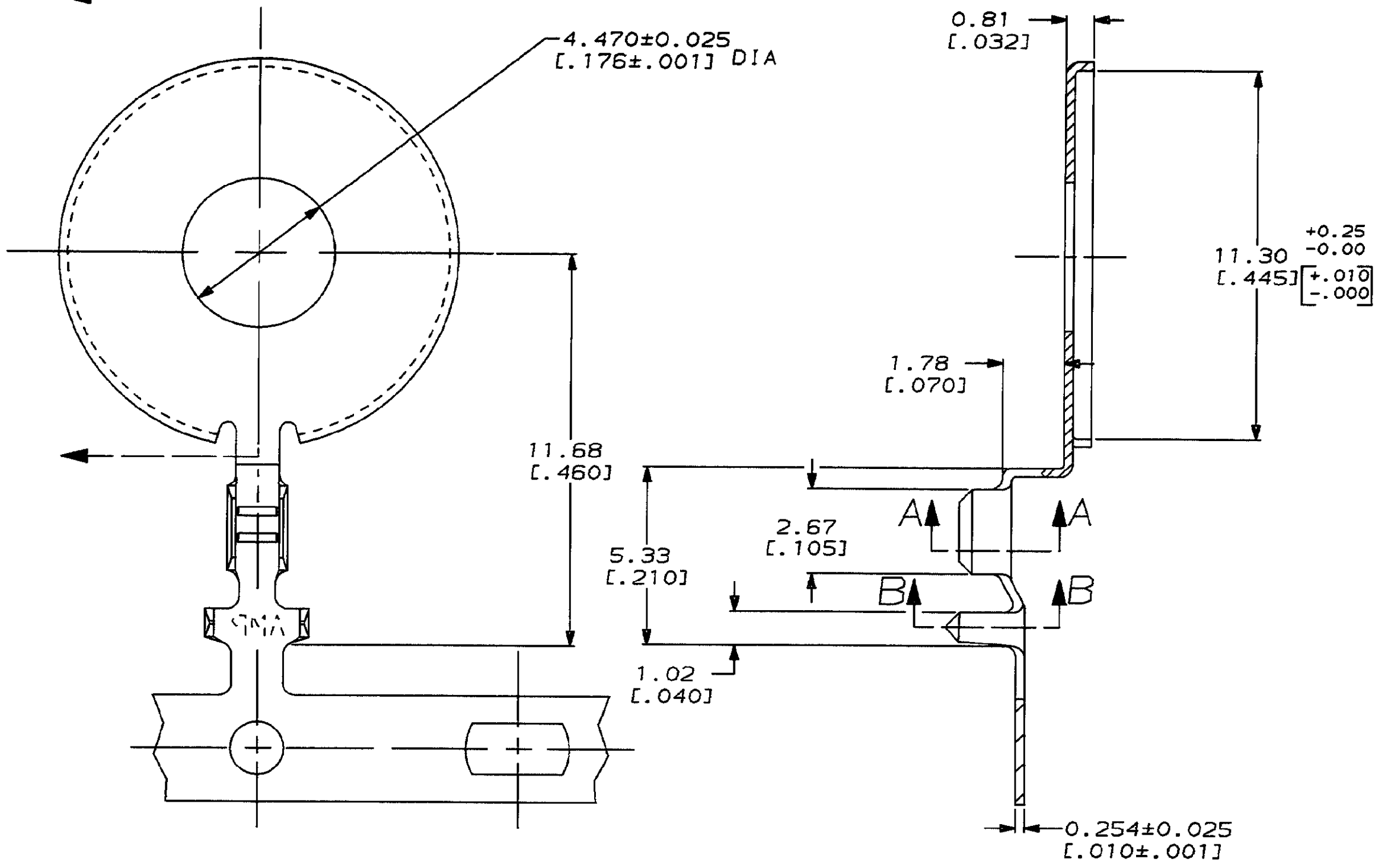


DRAWING MADE IN THIRD ANGLE PROJECTION

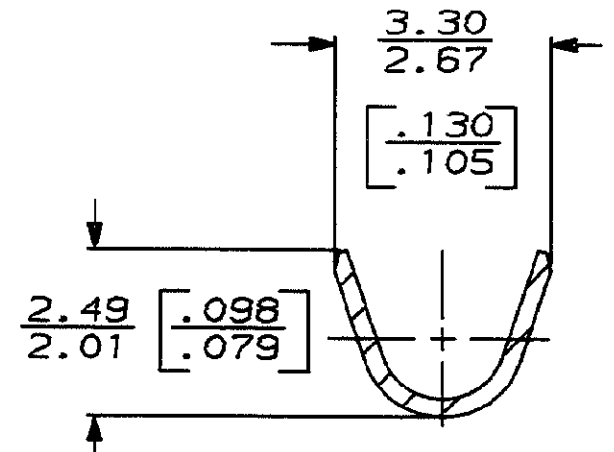
THIS DRAWING IS UNPUBLISHED. RELEASED FOR PUBLICATION  
 © COPYRIGHT 19 BY AMP INCORPORATED. ALL INTERNATIONAL RIGHTS RESERVED.

LOC		DIST		REVISIONS				DATE	APPD
AF	50	P	F	ZONE	LTR	DESCRIPTION			
				C		RELEASE PER FASR & AF-8118	9/2/92	PF/DS	

1 CONTINUOUS STRIP ON REEL.



SECTION A-A  
 SCALE 10:1  
 ROTATED 90° CW



SECTION B-B  
 SCALE 10:1  
 ROTATED 90° CW

	1.27-1.65 DIA [.050-.065]	0.13-0.3mm <sup>2</sup> [26-22] AWG	63626-1
	INSULATION RANGE	WIRE RANGE	PART NO
DO NOT SCALE PRINT. UNLESS SPECIFIED DIMENSIONS IN mm [INCHES] TOLERANCES ON: 2 PLC DEC ± 0.25 [.010] 3 PLC DEC ± - ANGLES ± -	DR 1/17/92 P FORTNEY CHK 1/17/92 MS FEHER APPD 1/17/92 D SCHWENK	AMP Incorporated Harrisburg, PA 17105-3608	
MATERIAL 082 BRASS	APPD 1/17/92 R MEAVILL PRODUCT SPEC -		
FINISH 0.002032 [.000080] MIN PRE-TIN PL PER MIL-T-10727	APPLICATION SPEC -	SIZE C	CAGE CODE 00779
	WEIGHT -	SCALE 5:1	DRAWING NO 63626
			SHEET 1 OF 1

**METRIC**