

PART NAME: BALL KNOB SCALE: 1 : 1 DATE: 9/28/49 DR. BY JWC

THIS DRAWING IS THE PROPERTY OF DAVIES MOLDING COMPANY, IS SUBMITTED SOLELY AS A DESIGN OR ENGINEERING PROJECT. WE ACCEPT NO RESPONSIBILITY WHATSOEVER FOR THE PRACTICAL APPLICATION OF THE PIECES MADE TO THIS DESIGN.



DESIGNERS & MANUFACTURERS OF KNOBS, HANDLES, CASES & CUSTOM PLASTIC COMPONENTS

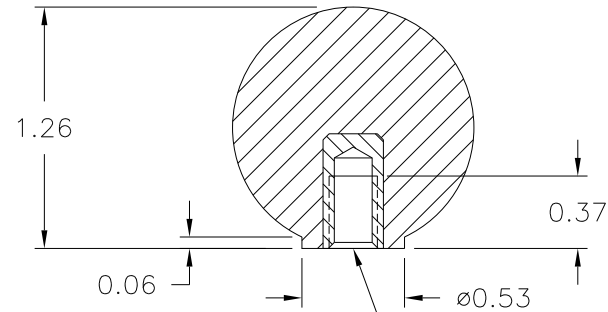
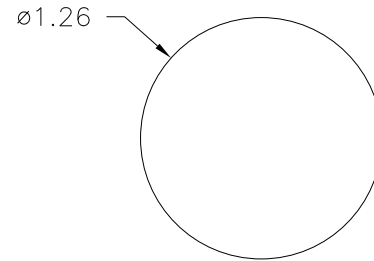
P/N 0025-Q

M^{NO.} 0025

PINS 0025-G

SHIM 1

INSERT 10035



1/4-20 UNC-2B THREADED
10035, H.H. BRASS

MATERIAL: G.P. PHENOLIC (B11)
COLOR: BLACK

TOLERANCES: UNLESS OTHERWISE SPECIFIED	DO NOT SCALE DRAWING			
DECIMALS: X.XXX ± .005 X.XX ± .015	MM: X.XX ± 0.15MM X.X ± 0.4MM	-	RE-DID REDRAW	TL 10/4/99
FRACTIONS ± 1/64	ANG. ± 1°	-	CAD REDRAW	HD 6/15/92
CHANGES				