

Description

The AH286 is a single-chip solution for driving two-coil brushless direct current (BLDC) fans and motors. The device includes a Hall-effect sensor, dynamic offset correction and two complementary open-drain output drivers with internal Zener diode protection.

To help protect the motor coils, the AH286 provides Rotor Lock Protection which shuts down output drives if rotor lock is detected. The device automatically re-starts when the rotor lock is removed. A Rotor-lock Detect (RD) output flag allows external monitoring of any motor locks.

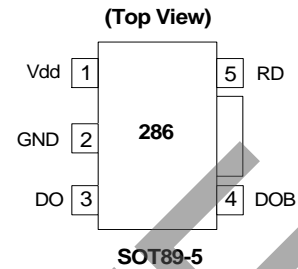
The AH286 is available in SOT89-5 package.

Features

- Single-chip Solution
- Operating Voltage: 3.8V to 20V
- Built-in Hall Sensor and Input Amplifier
- Rotor-lock Detect (RD) Flag
- Rotor Lock Protection (Lock detection, output shutdown and automatic re-start)
- Built-in Zener Protection For Output Driver
- Average output current up to 500mA
- Packaged in SOT89-5
- Green Molding Compound
- **Totally Lead-Free & Fully RoHS Compliant (Notes 1 & 2)**
- **Halogen and Antimony Free. "Green" Device (Note 3)**

- Notes:
1. No purposely added lead. Fully EU Directive 2002/95/EC (RoHS) & 2011/65/EU (RoHS 2) compliant.
 2. See http://www.diodes.com/quality/lead_free.html for more information about Diodes Incorporated's definitions of Halogen- and Antimony-free, "Green" and Lead-free.
 3. Halogen- and Antimony-free "Green" products are defined as those which contain <900ppm bromine, <900ppm chlorine (<1500ppm total Br + Cl) and <1000ppm antimony compounds.

Pin Assignments

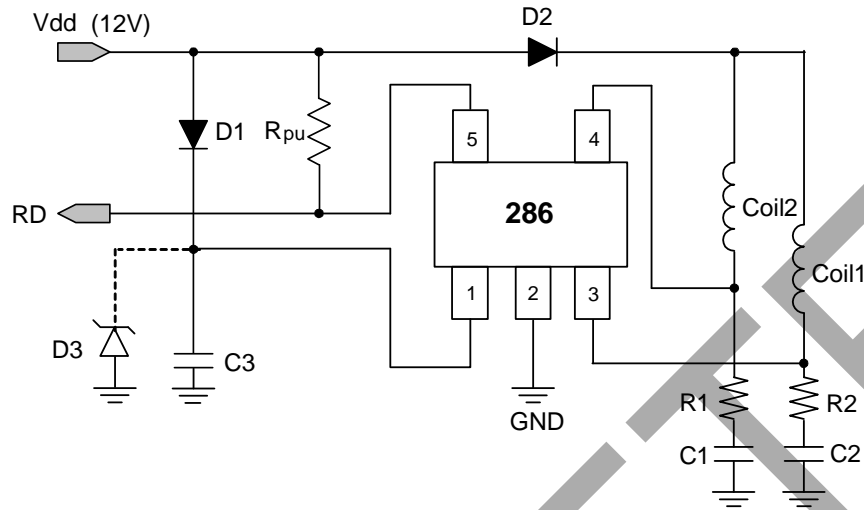


Applications

- Two-Coil BLDC Cooling Fans
- Low to Medium Voltage, Low Power BLDC Motors

OBSOLETE – PART DISCONTINUED

Typical Application Circuit (Note 4)



12V DC Brush-Less Fan with RD Output Function

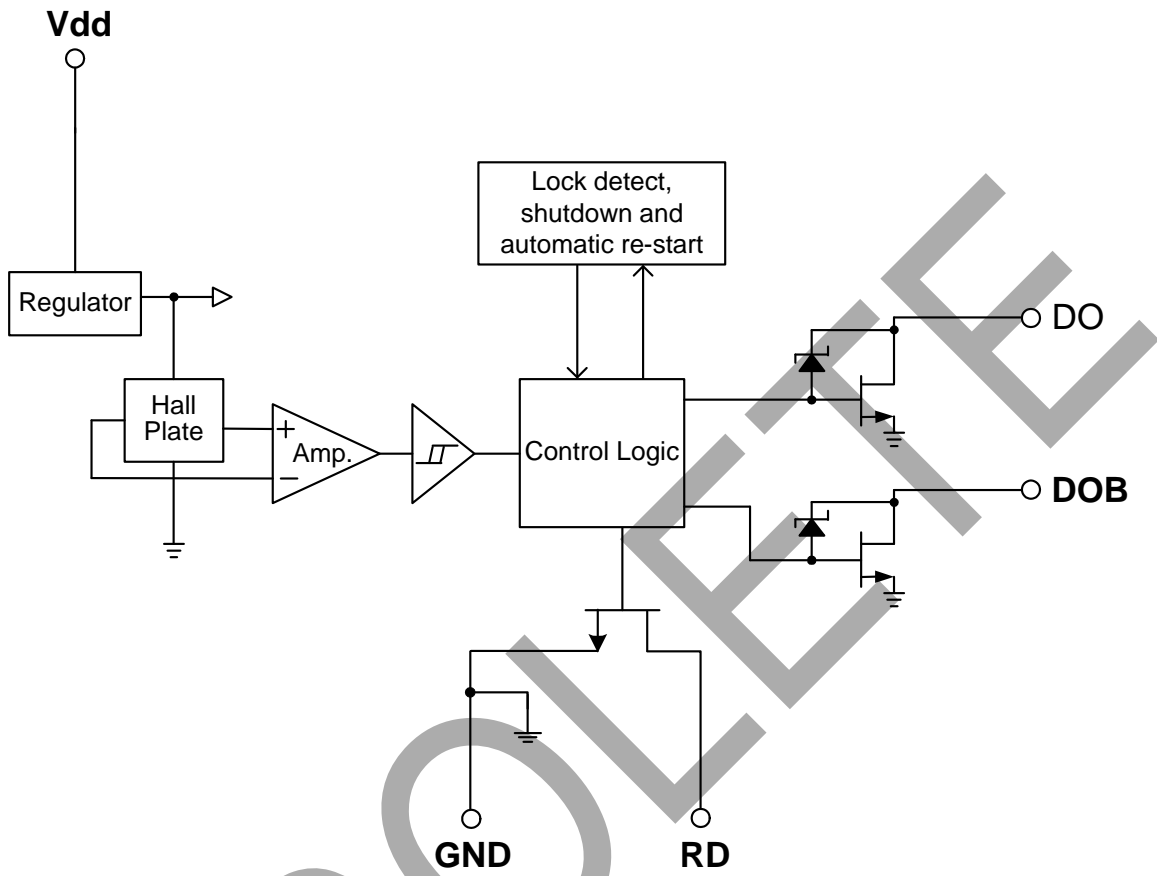
Notes: 4. Typically it is recommended to use a 56 Ohm resistor for R1 and R2 and a 2.2µF E-Cap capacitor for C1, C2 and C3. These values may need to be optimized depending on the coils used.
To help with IC protection it's advised to add a Zener diode between Vdd and ground. The Zener diode should be chosen to help prevent the supply voltage exceeding the maximum rating of the device.

Pin Descriptions

Pin Name	Description
RD	Rotor-state detection
Vdd	Input power
DO	Output pin
DOB	Output pin
GND	Ground

OBSOLETE – PART DISCONTINUED

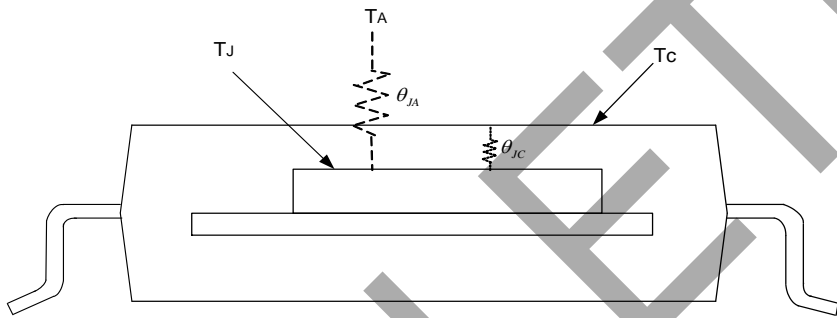
Functional Block Diagram



OBSOLETE – PART DISCONTINUED

Absolute Maximum Ratings ($T_A = +25^\circ\text{C}$)

Symbol	Characteristics	Rating	Unit
V _{DD}	Supply Voltage	24	V
I _O	Output Current	I _O (AVE)	500 mA
		I _O (PEAK)	700 mA
P _D	Power Dissipation	800	mW
T _{ST}	Storage Temperature	-55 to +150	°C
T _J	Maximum Junction Temperature	+150	°C
θ_{JA}	Thermal Resistance Junction to Case (Note 5)	156	°C/W



Note: 5. θ_{JA} should be confirmed with heat sink thermal resistance. If there is no heat sink contact, θ_{JA} will almost be the same as θ_{JC} .

Recommended Operating Conditions

Symbol	Characteristic	Conditions	Min	Max	Unit
V _{DD}	Supply Voltage	Operating	3.8	20	V
T _A	Operating Ambient Temperature	Operating	-40	+100	°C

Electrical Characteristics ($T_A = +25^\circ\text{C}$, $V_{DD} = 12\text{V}$, unless otherwise specified.)

Symbol	Characteristics	Conditions	Min	Typ.	Max	Unit
I _{DD}	Supply Current	Operating	-	2.0	4.0	mA
I _{OFF}	Output Leakage Current	V _{OUT} = 24V	-	< 0.1	10	μA
t _{RLP-ON}	Rotor Lock Protection On Time	-	0.4	0.5	0.6	Sec
t _{RLP-OFF}	Rotor Lock Protection Off Time	-	2.4	3	3.6	Sec
V _{OUT(SAT)}	Output Saturation Voltage	I _O = 300mA	-	375	500	mV
		I _O = 500mA	-	625	900	
R _{DS(ON)}	Output On Resistance	I _O = 300mA	-	1.25	1.67	Ω
V _{OL}	RD Output Vds	I _O = 10mA	-	0.5	-	V
V _Z	Output Zener-Breakdown Voltage	-	35	42	60	V

Truth Table (Note 6)

IN-	IN+	CT	OUT1	OUT2	RD	Mode
H	L	L	H	L	L	Rotating
L	H	L	L	H	L	Rotating
-	-	H	Off	Off	H	Lockup protection activated

Note: 6. Latch-type RD output is low during rotor rotation and high when the rotor is locked (not rotating).

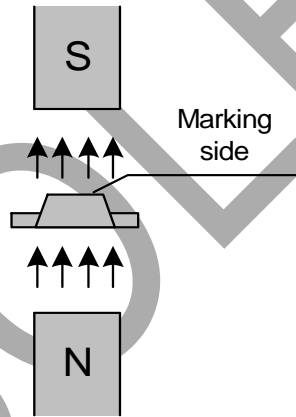
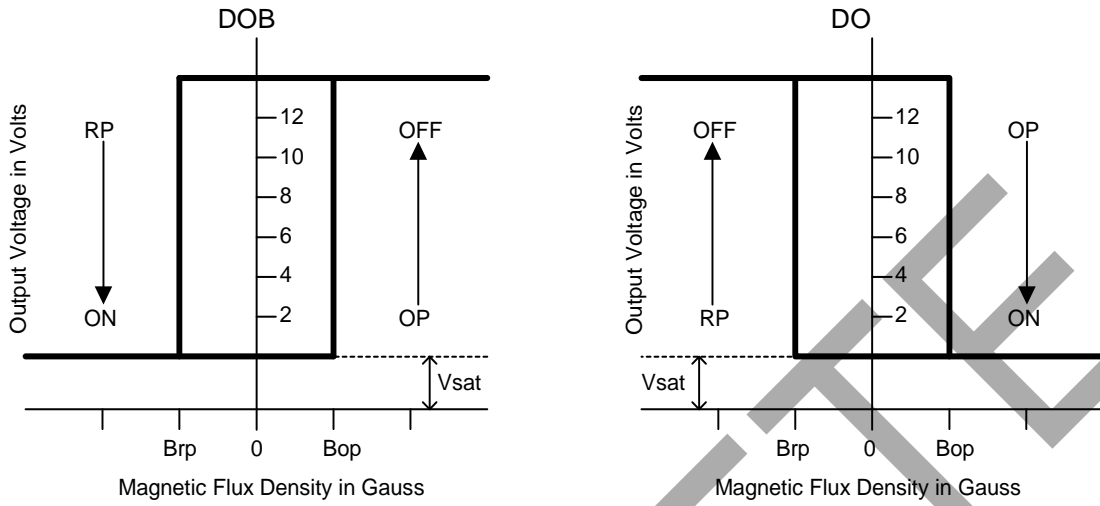
Magnetic Characteristics ($T_A = +25^\circ\text{C}$, $V_{DD} = 12\text{V}$, unless otherwise specified, Note 7)

(1mT = 10 Gauss)

Symbol	Characteristics	Min	Typ.	Max	Unit
B _{op}	Operate Point	10	30	60	Gauss
B _{rp}	Release Point	-60	-30	-10	Gauss
B _{hy}	Hysteresis	-	60	-	Gauss

Note: 7. The magnetic characteristics may vary with supply voltage, operating temperature and after soldering.

Operating Characteristics



(SOT89-5)

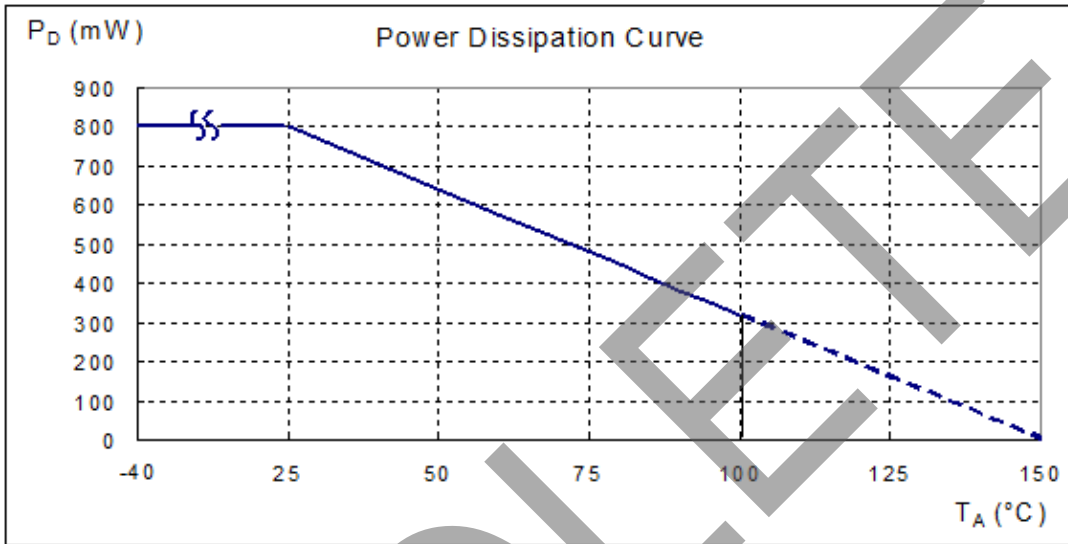
OBSOLETE – PART DISCONTINUED

OBSOLETE

OBSOLETE – PART DISCONTINUED

Performance Characteristics

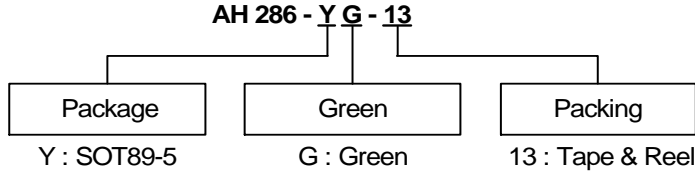
T_A (°C)	25	50	60	70	75	80	85	90	95	100
P_D (mW)	800	640	576	512	480	448	416	384	352	320
T_A (°C)	105	110	115	120	125	130	135	140	145	150
P_D (mW)	288	256	224	192	160	128	96	64	32	0



OBSOLETE

OBSOLETE – PART DISCONTINUED

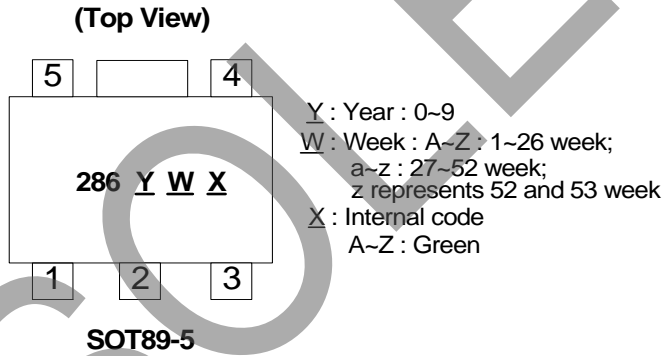
Ordering Information



Device	Package Code	Packaging (Note 8, 9)	Bulk		13" Tape and Reel	
			Quantity	Part Number Suffix	Quantity	Part Number Suffix
AH286-YG-13	Y	SOT89-5	NA	NA	2500/Tape & Reel	-13

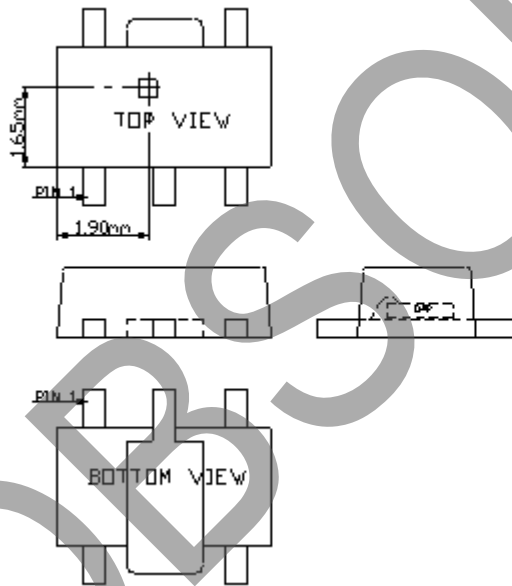
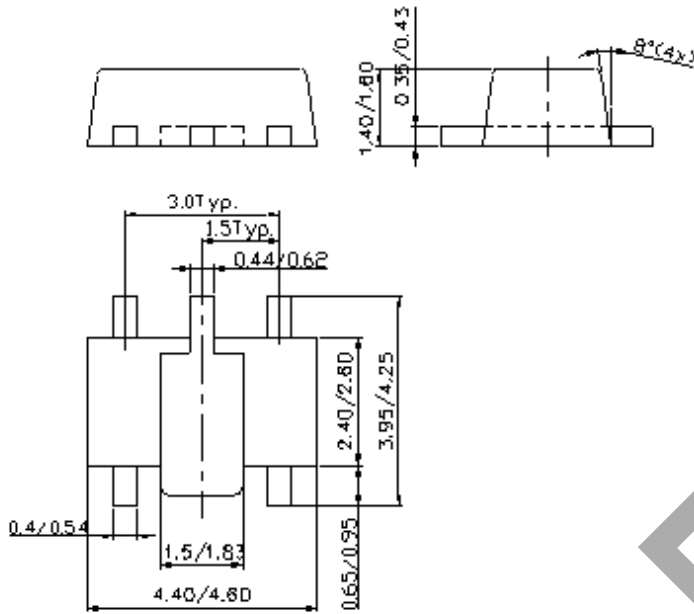
Notes: 8. Pad layout as shown on Diodes Incorporated's suggested pad layout document, which can be found on our website at <http://www.diodes.com/package-outlines.html>.
 9. Reverse taping as shown on Diodes Incorporated's Surface Mount (SMD) Packaging document AP02007, which can be found on our website <http://www.diodes.com/datasheets/ap02007.pdf>.

Marking Information



OBSOLETE – PART DISCONTINUED

Package Outline Dimensions (All Dimensions in mm)



Sensor Location

IMPORTANT NOTICE

DIODES INCORPORATED MAKES NO WARRANTY OF ANY KIND, EXPRESS OR IMPLIED, WITH REGARDS TO THIS DOCUMENT, INCLUDING, BUT NOT LIMITED TO, THE IMPLIED WARRANTIES OF MERCHANTABILITY AND FITNESS FOR A PARTICULAR PURPOSE (AND THEIR EQUIVALENTS UNDER THE LAWS OF ANY JURISDICTION).

Diodes Incorporated and its subsidiaries reserve the right to make modifications, enhancements, improvements, corrections or other changes without further notice to this document and any product described herein. Diodes Incorporated does not assume any liability arising out of the application or use of this document or any product described herein; neither does Diodes Incorporated convey any license under its patent or trademark rights, nor the rights of others. Any Customer or user of this document or products described herein in such applications shall assume all risks of such use and will agree to hold Diodes Incorporated and all the companies whose products are represented on Diodes Incorporated website, harmless against all damages.

Diodes Incorporated does not warrant or accept any liability whatsoever in respect of any products purchased through unauthorized sales channel. Should Customers purchase or use Diodes Incorporated products for any unintended or unauthorized application, Customers shall indemnify and hold Diodes Incorporated and its representatives harmless against all claims, damages, expenses, and attorney fees arising out of, directly or indirectly, any claim of personal injury or death associated with such unintended or unauthorized application.

Products described herein may be covered by one or more United States, international or foreign patents pending. Product names and markings noted herein may also be covered by one or more United States, international or foreign trademarks.

This document is written in English but may be translated into multiple languages for reference. Only the English version of this document is the final and determinative format released by Diodes Incorporated.

LIFE SUPPORT

Diodes Incorporated products are specifically not authorized for use as critical components in life support devices or systems without the express written approval of the Chief Executive Officer of Diodes Incorporated. As used herein:

- A. Life support devices or systems are devices or systems which:
1. are intended to implant into the body, or
 2. support or sustain life and whose failure to perform when properly used in accordance with instructions for use provided in the labeling can be reasonably expected to result in significant injury to the user.
- B. A critical component is any component in a life support device or system whose failure to perform can be reasonably expected to cause the failure of the life support device or to affect its safety or effectiveness.

Customers represent that they have all necessary expertise in the safety and regulatory ramifications of their life support devices or systems, and acknowledge and agree that they are solely responsible for all legal, regulatory and safety-related requirements concerning their products and any use of Diodes Incorporated products in such safety-critical, life support devices or systems, notwithstanding any devices- or systems-related information or support that may be provided by Diodes Incorporated. Further, Customers must fully indemnify Diodes Incorporated and its representatives against any damages arising out of the use of Diodes Incorporated products in such safety-critical, life support devices or systems.

Copyright © 2017, Diodes Incorporated

www.diodes.com