

4

3

2

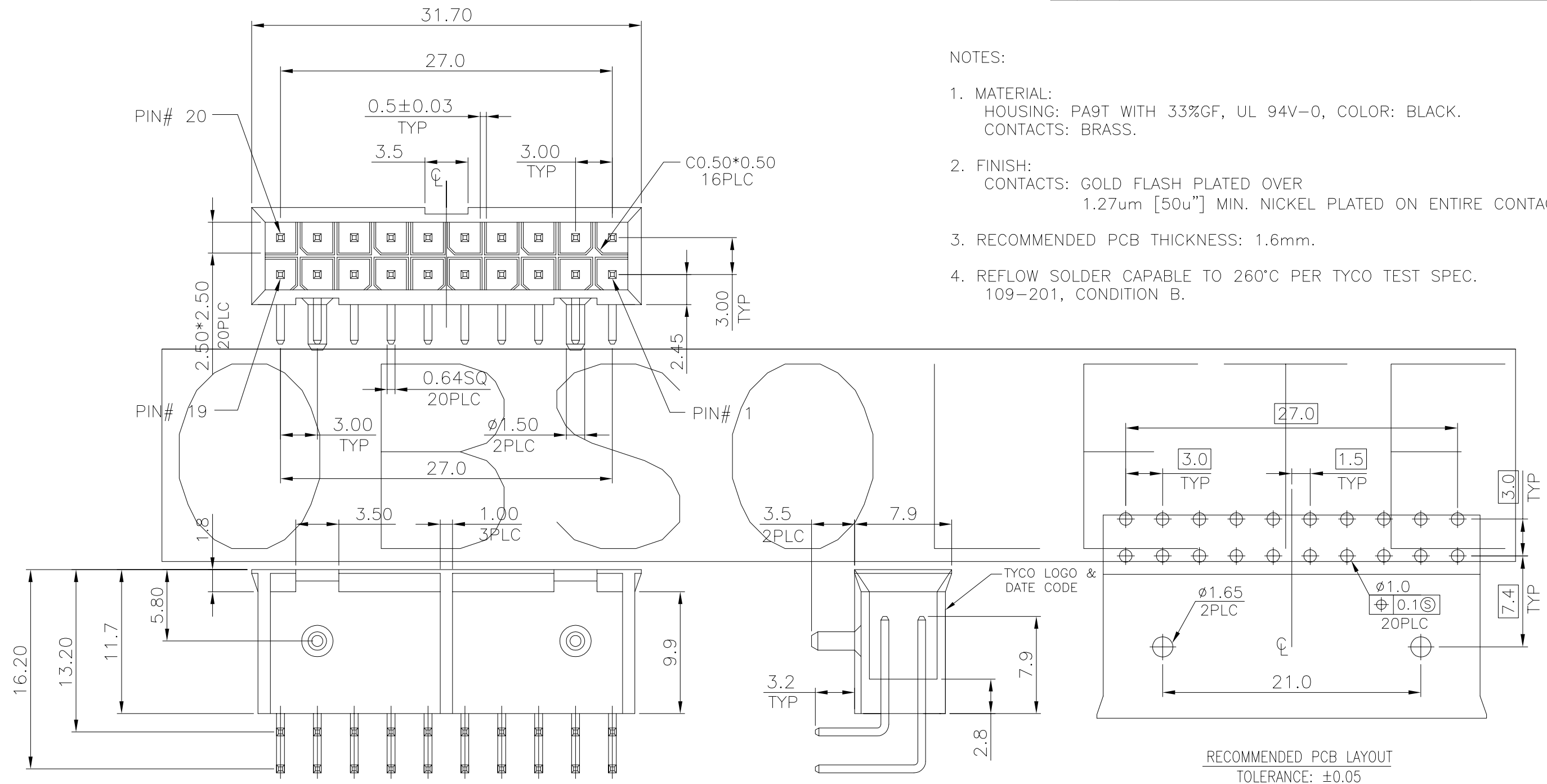
1

THIS DRAWING IS UNPUBLISHED. RELEASED FOR PUBLICATION
 © COPYRIGHT BY TYCO ELECTRONICS CORPORATION. ALL RIGHTS RESERVED.

LOC	DIST	REVISIONS			
P	LTR	DESCRIPTION	DATE	DWN	APVD
DW	-	B	PER ECR-15-011649	10SEP15	DS FY

NOTES:

- MATERIAL:
HOUSING: PA9T WITH 33%GF, UL 94V-0, COLOR: BLACK.
CONTACTS: BRASS.
- FINISH:
CONTACTS: GOLD FLASH PLATED OVER
1.27um [50u"] MIN. NICKEL PLATED ON ENTIRE CONTACT.
- RECOMMENDED PCB THICKNESS: 1.6mm.
- REFLOW SOLDER CAPABLE TO 260°C PER TYCO TEST SPEC. 109-201, CONDITION B.



1775372-1
 PART NUMBER

THIS DRAWING IS A CONTROLLED DOCUMENT.		DWN J. LEE 03JAN2007		
DIMENSIONS: MM		CHK S. HOU 03JAN2007		
TOLERANCES UNLESS OTHERWISE SPECIFIED:		APVD W.J. KE 03JAN2007	NAME	
0 PLC ± - 1 PLC ± 0.30 2 PLC ± 0.20 3 PLC ± - 4 PLC ± - ANGLES ± 3°		PRODUCT SPEC 108-57641	3.0mm BTX POWER, 20 POS, PLUG, R/A, DIP CONNECTOR	
MATERIAL SEE NOTE		FINISH SEE NOTE	QUALIFICATION TEST REPORT 501-57747	RESTRICTED TO
		WEIGHT 2.80GRAMS	SIZE A3	CAGE CODE 00779
		CUSTOMER DRAWING	DRAWING NO C=1775372	REV B
			SCALE -	SHEET 1 of 2

4

3

2

1

THIS DRAWING IS UNPUBLISHED.

RELEASED FOR PUBLICATION

© COPYRIGHT BY TYCO ELECTRONICS CORPORATION. ALL RIGHTS RESERVED.

LOC	DIST	REVISIONS					
DW	—	P	LTR	DESCRIPTION	DATE	DWN	APVD
				SEE SHEET 1.			

D

D

C

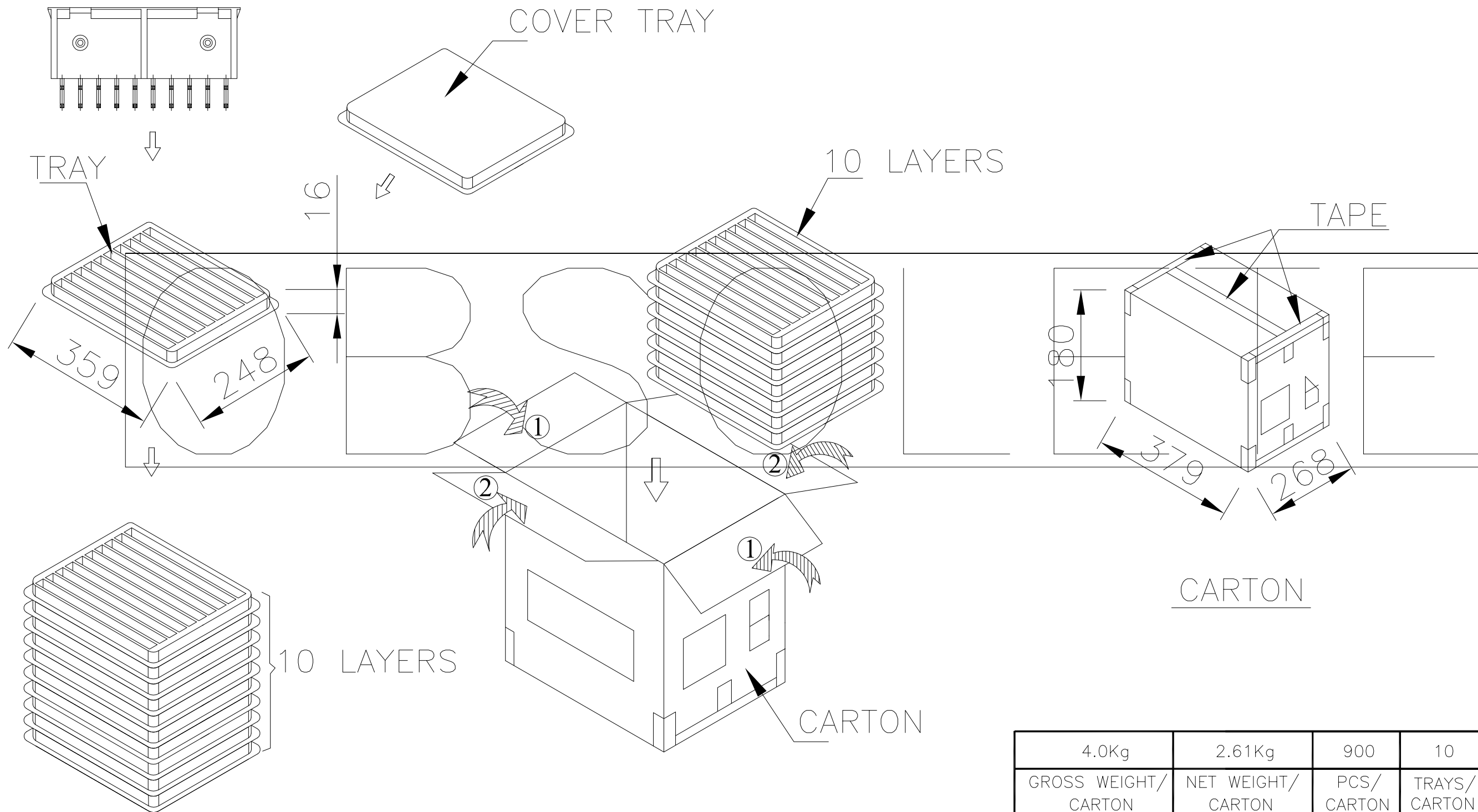
C

B


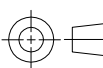
B

A

A



4.0Kg	2.61Kg	900	10	90
GROSS WEIGHT/ CARTON	NET WEIGHT/ CARTON	PCS/ CARTON	TRAYS/ CARTON	PCS/ TRAY

THIS DRAWING IS A CONTROLLED DOCUMENT.		DWN	J. LEE	03JAN2007	 TE CONNECTIVITY			
DIMENSIONS: MM		CHK	S. HOU	03JAN2007				
		APVD	W.J. KE	03JAN2007				
TOLERANCES UNLESS OTHERWISE SPECIFIED:		PRODUCT SPEC		NAME				
0 PLC ± - 1 PLC ± - 2 PLC ± - 3 PLC ± - 4 PLC ± - ANGLES ± -		APPLICATION SPEC		3.0mm BTX POWER, 20 POS, PLUG, R/A, DIP CONNECTOR				
MATERIAL		WEIGHT		—	SIZE	CAGE CODE	DRAWING NO	RESTRICTED TO
FINISH		CUSTOMER DRAWING		—	A3	00779	C=1775372	—
		SCALE		—	SHEET		2 of 2	REV
								B