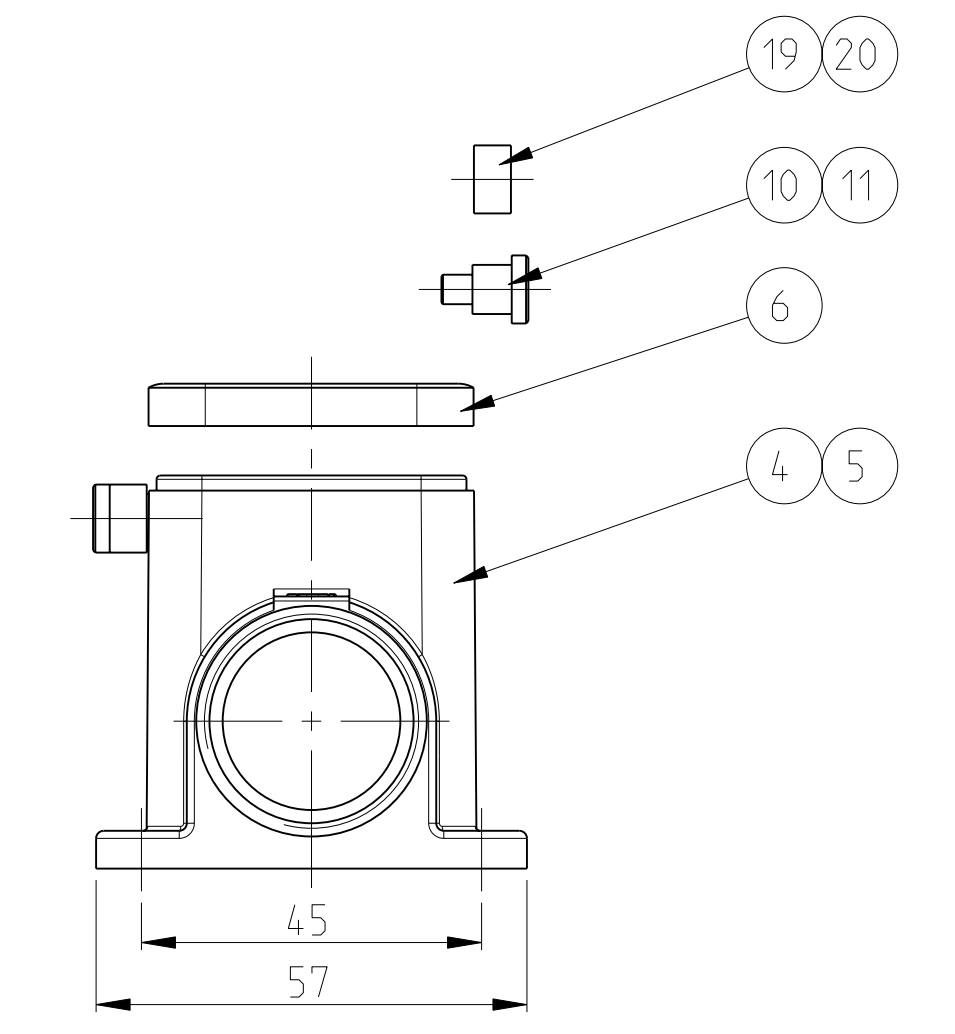
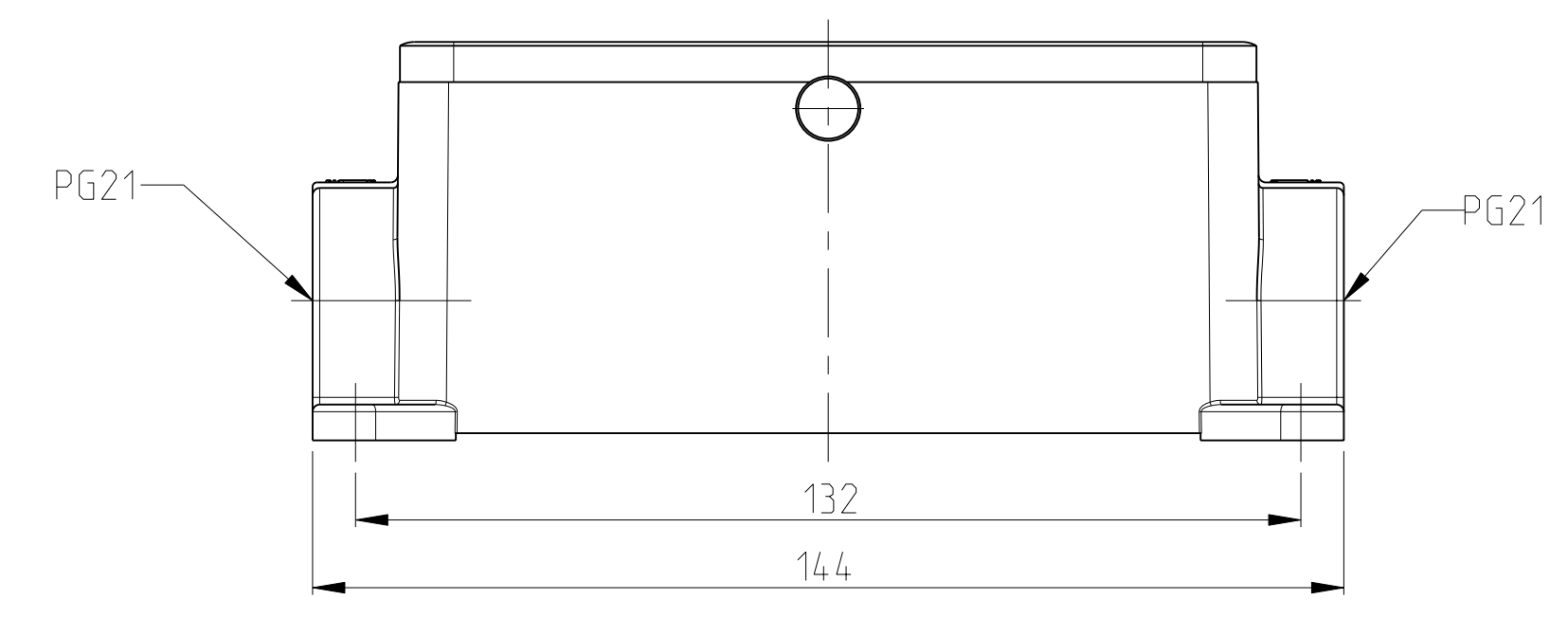
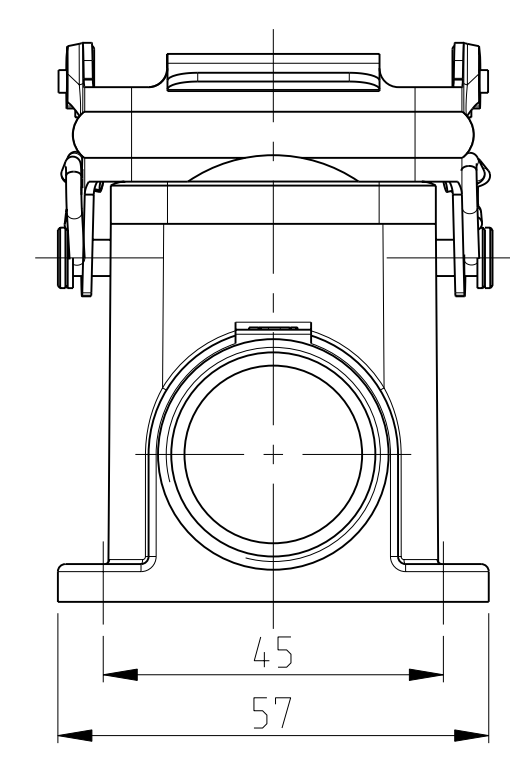
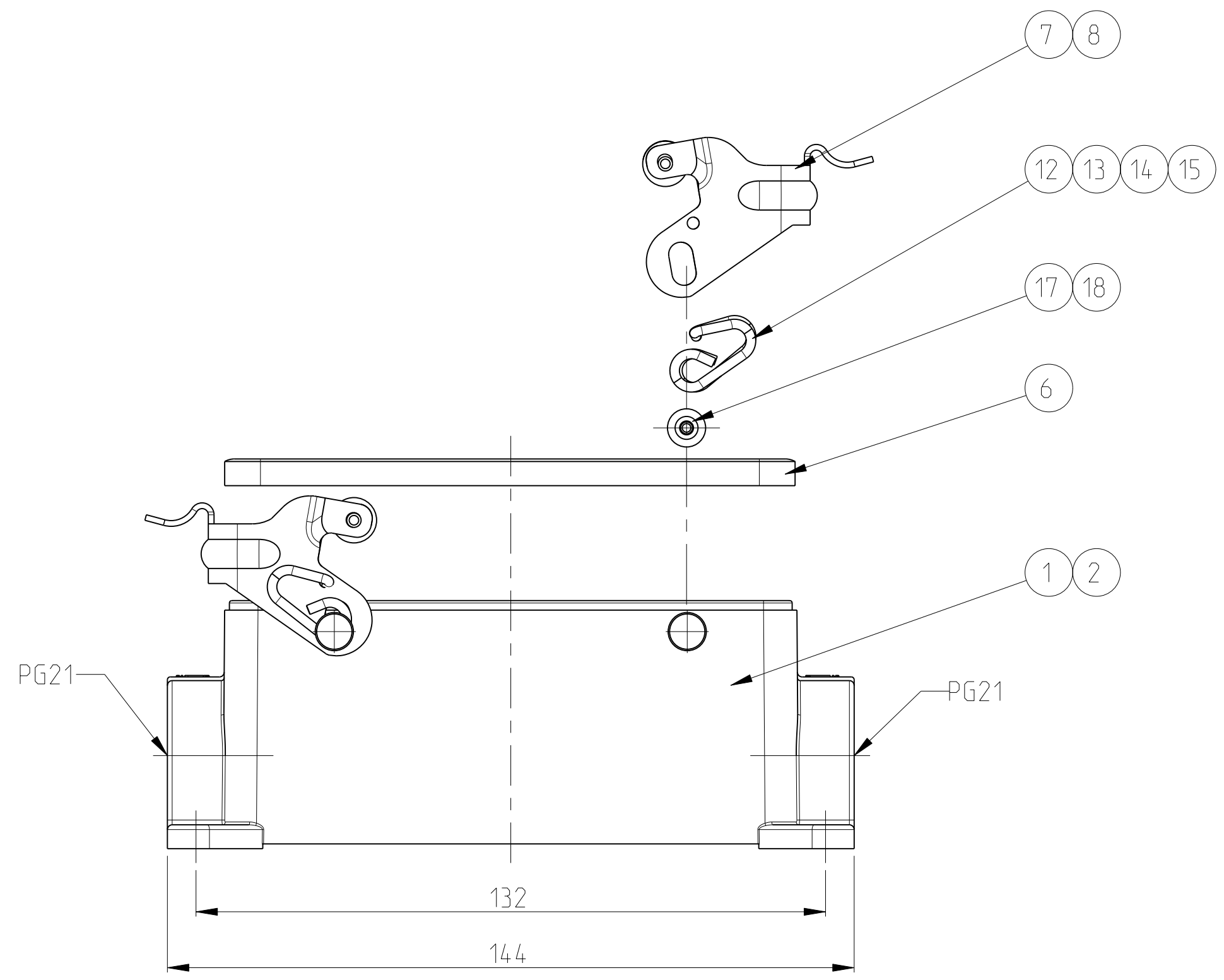
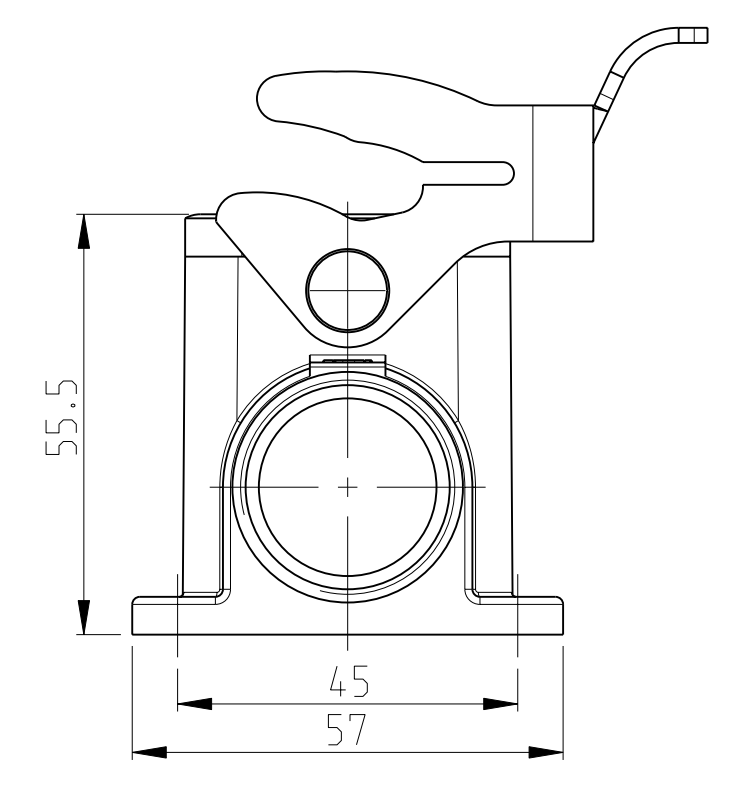
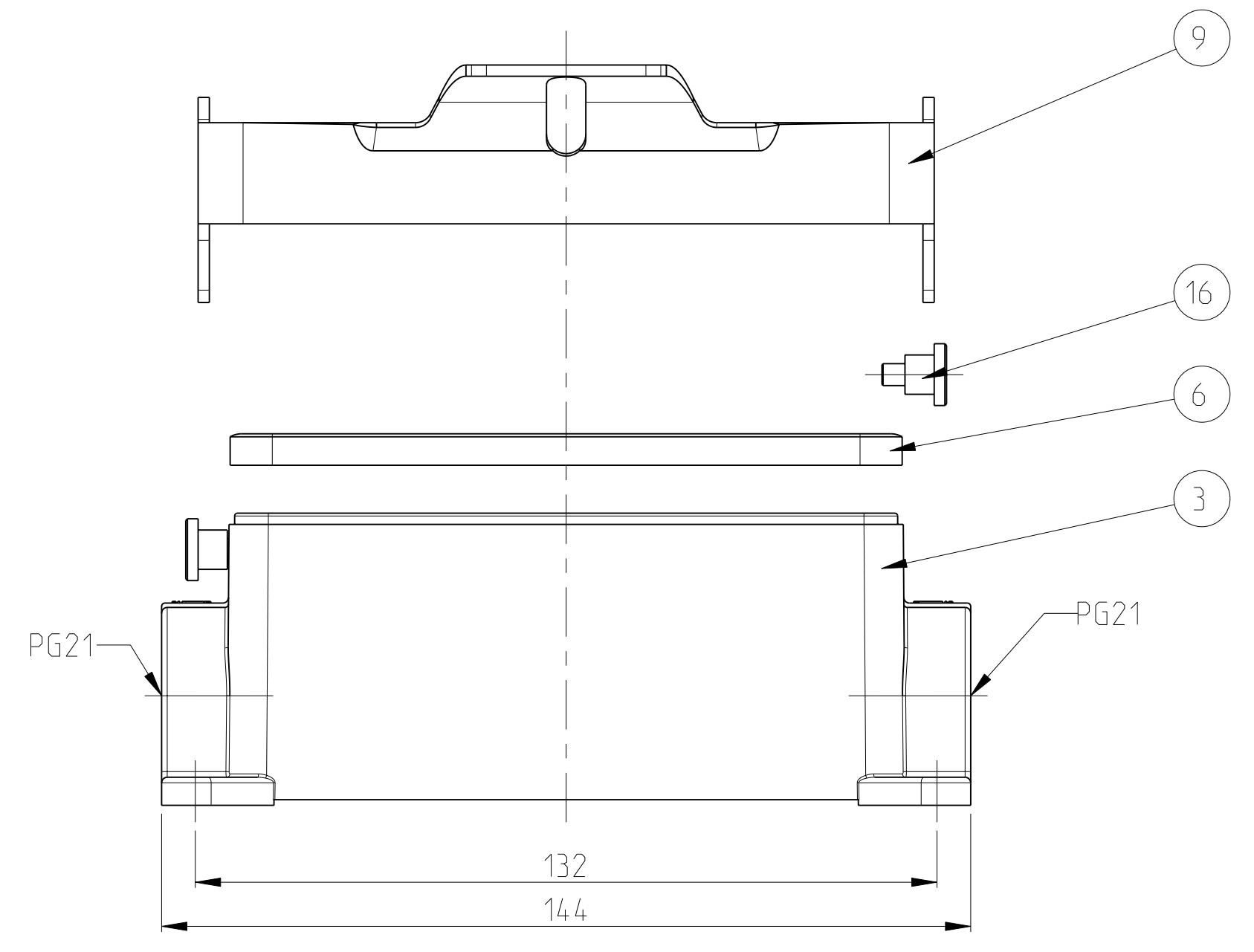


LOC	DIST	REV	DATE	BY	APPV
A1	-	A3	05 JUN 2009	SR	AR



NOTES

- PART SHALL BE FREE AND CLEAN OF BURRS AND OTHER FOREIGN MATERIAL
- PACKAGING: QUANTITY 3 PIECES
- VARNISHING INSIDE HOUSING NOT REQUIRED



QTY	DESCRIPTION	MATERIAL	SURFACE	COLOR	ITEM	NOTES
2	SLIDE SPOOL	STAINLESS STEEL	BLANC		20	
2	SLIDE SPOOL	STEEL	ZINC PLATED	BLUE	19	
	4 LOCKING CLIP	STAINLESS STEEL	BLANC		18	
	4 CLIP POSITIONER	STEEL	ZINC PLATED	BLUE	17	
	2 CLIP POSITIONER	STEEL	ZINC PLATED	BLUE	16	
	2 CLIP SPRING RIGHT	STAINLESS STEEL	BLANC		15	
	2 CLIP SPRING RIGHT	STEEL	ZINC PLATED	BLUE	14	
	2 CLIP SPRING LEFT	STAINLESS STEEL	BLANC		13	
	2 CLIP SPRING LEFT	STEEL	ZINC PLATED	BLUE	12	
2	CLIP POSITIONER	STAINLESS STEEL	BLANC		11	
	2 CLIP POSITIONER	STEEL	ZINC PLATED	BLUE	10	
	1 SIDE CLIP	STEEL	ZINC PLATED	BLUE	9	
	2 LOCKING CLIP	STAINLESS STEEL	BLANC		8	
	2 LOCKING CLIP	STEEL	ZINC PLATED	BLUE	7	
1	1 PROFILE SEAL	NEOPRENE		BLACK	6	
1	1 SURFACE MOUNTED HOUSING SIDE ENTRY	ALUMINIUM	ALUMINIUM OXID	BLACK	5	
1	1 SURFACE MOUNTED HOUSING SIDE ENTRY	ALUMINIUM		GREY	4	
1	1 SURFACE MOUNTED HOUSING SIDE ENTRY	ALUMINIUM		GREY	3	
1	1 SURFACE MOUNTED HOUSING SIDE ENTRY	ALUMINIUM	ALUMINIUM OXID	BLACK	2	
1	1 SURFACE MOUNTED HOUSING SIDE ENTRY	ALUMINIUM		GREY	1	
2-8	DESCRIPTION	MATERIAL	SURFACE	COLOR	ITEM	NOTES
	HB.24.SG-VS.2.21.Z					
	HB-K.24.SG-VS.2.21.Z					
	HB.24.SG-LB.2.21.Z					
	HB-Z.24.SG-ZVGR.2.21.Z					
	HB-K/Z.24.SG-ZVGR.2.21.Z					

DIMENSIONS: mm 		TOLERANCES UNLESS OTHERWISE SPECIFIED: 9 PLC ± 1 PLC ± 2 PLC ± 3 PLC ± 4 PLC ± ANGLES ±1° FINISH -		DWN R.SCHNEIDER 05 JUN 2009 CHK T.SCHNURPEIL 05 JUN 2009 APVD - PRODUCT SPEC - APPLICATION SPEC - WEIGHT - CUSTOMER DRAWING		Tyco Electronics Tyco Electronics AMP GmbH 53757 Sankt Augustin (Germany)	
SURFACE MOUNTED HOUSING SIDE ENTRY HB.24.SG.2.21				SIZE CAGE CODE DRAWING NO A1 00779 C-1102333		RESTRICTED TO SCALE 1:1 SHEET 1 OF 1 REV A3	