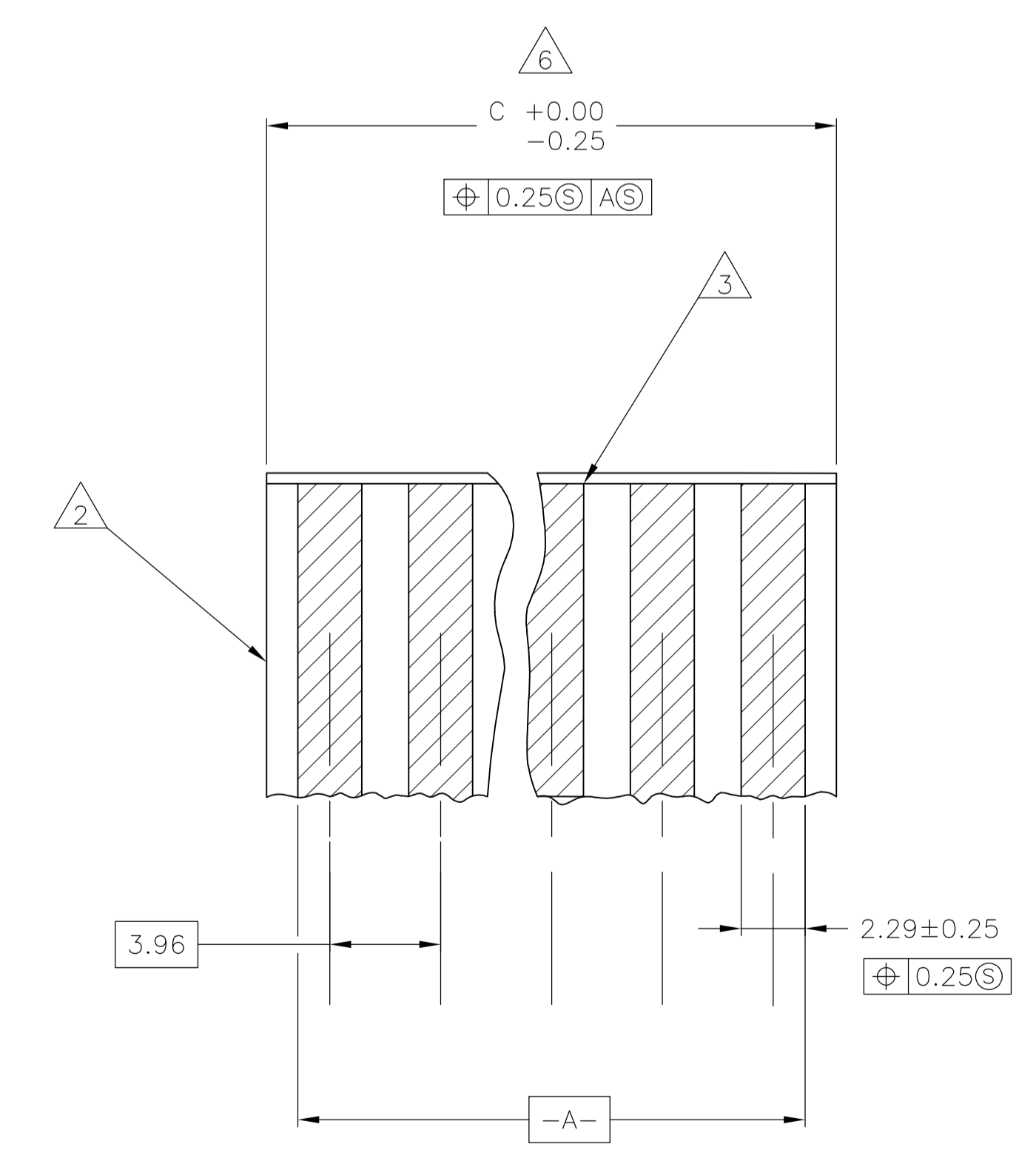
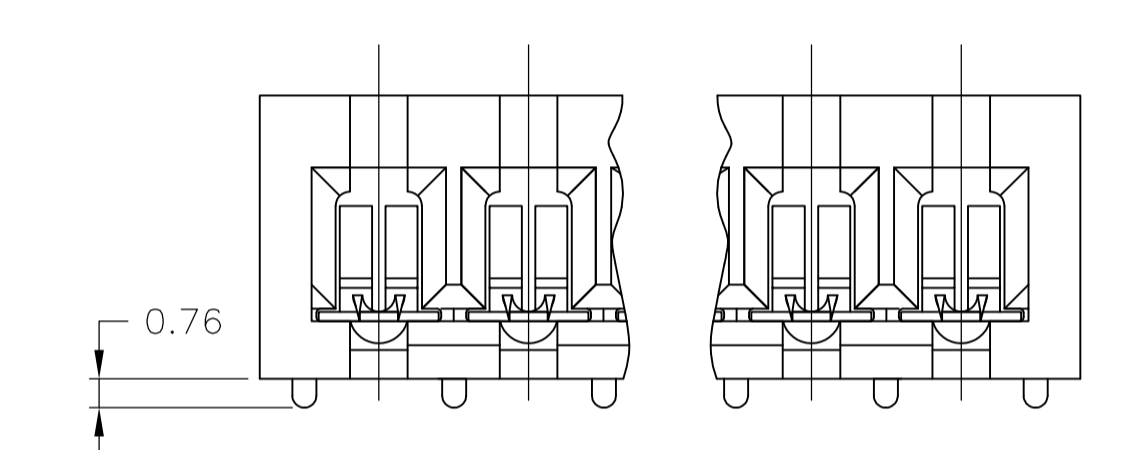
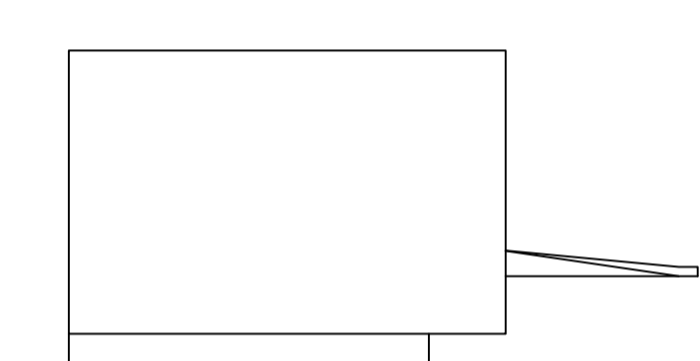
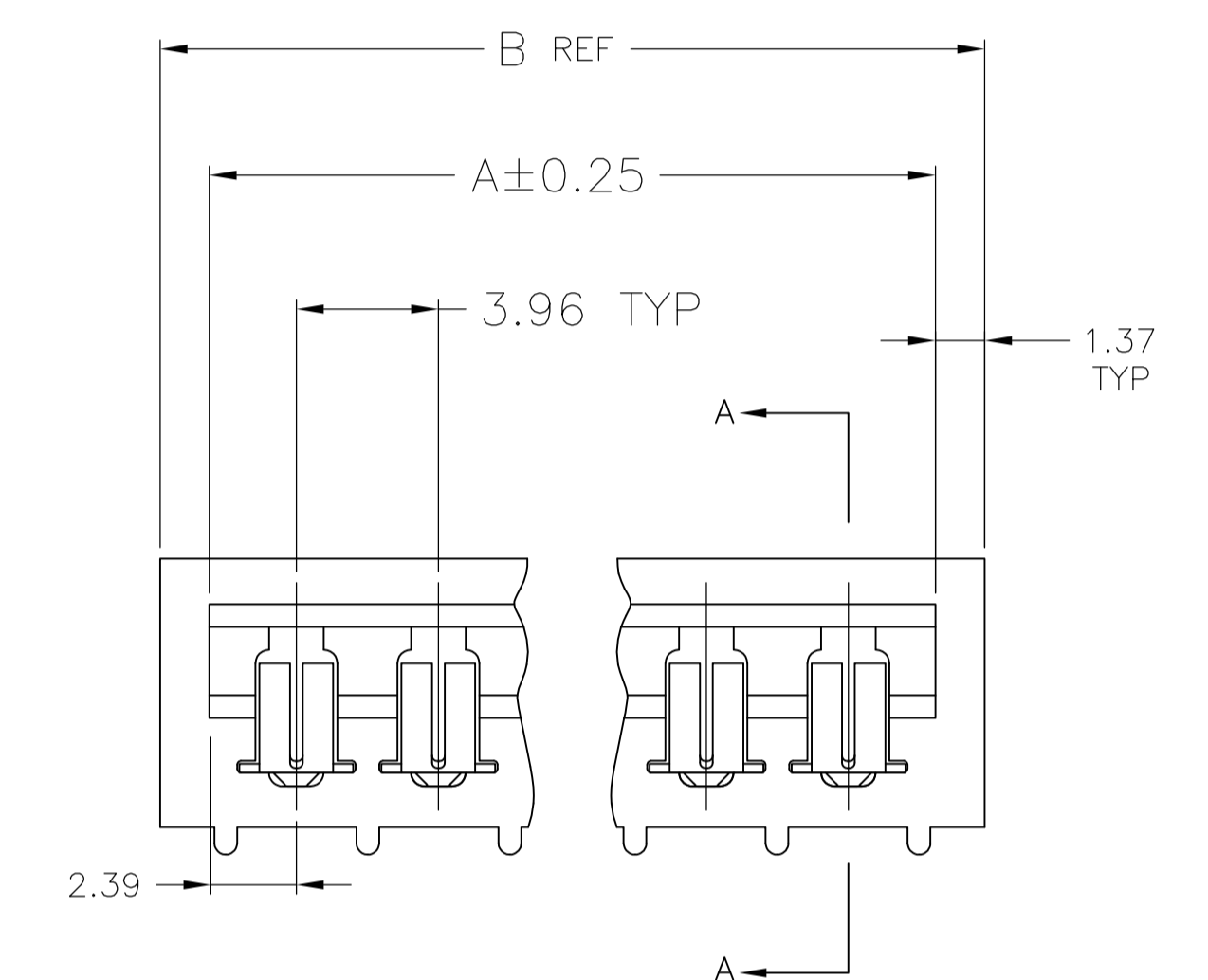


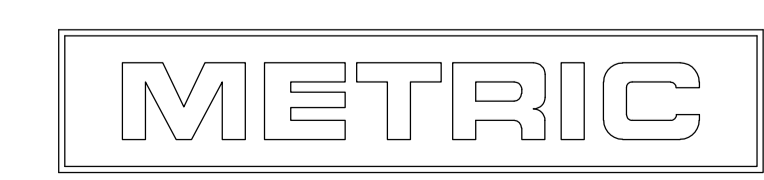
1. RECOMMEND 1.57 DIA HOLES FOR SOLDER TAIL TABS.
2. BOARD THICKNESS TO BE 1.575±0.191 INCLUDING CIRCUITRY.
3. 0.38 MIN X 45° CHAMFER RECOMMENDED ON BOTH SIDES OF BOARD.
4. PARTS COMPLY WITH AMP SOLDERABILITY SPEC. 109-11-3.
5. MATERIAL: HOUSING-THERMOPLASTIC POLYESTER, UNREINFORCED, UL94V-0, NATURAL. CONTACT - 0.25 BRASS, BRIGHT TIN OR TIN LEAD PLATED 0.00203 MIN. THICK. SEE FINISH TABLE FOR SPECIFICS.
6. "C" DIMENSION TO BE 0.28 LESS THAN "A" DIMENSION.
7. SEE RESTRICTED CUSTOMER DRAWING 640133-7.
8. OBSOLETE PARTS: OBSOLETE CIS STREAMLINING PER D.RENAUD/D.SINISI



MM	IN	MM	IN	MM	IN	MM	IN
0.38	.015	1.91	.075	6.35	.250	-	-
0.25	.010	1.575	.0620	5.08	.200	-	-
0.191	.0075	1.57	.062	3.96	.156	-	-
0.13	.005	1.37	.054	3.94	.155	11.56	.455
0.00203	0.00080	0.76	.030	2.39	.094	9.53	.375
0.00	.000	0.51	.020	2.29	.090	8.26	.325

RECOMMENDED P.C. BOARD LAYOUT

FINISH	IN	MM	IN	MM	NUMBER OF CIRCUITS	PART NUMBER	
OBSOLETE	TIN	2.014	51.16	1.906	48.41	12	-4-640133-2-
OBSOLETE	TIN	1.702	43.23	1.594	40.49	10	-4-640133-0-
	TIN	1.389	35.28	1.281	32.54	8	3-640133-8
OBSOLETE	TIN	1.077	27.36	.969	24.61	6	-3-640133-6-
OBSOLETE	TIN-LEAD	2.014	51.16	1.906	48.41	12	-1-640133-2-
	TIN-LEAD	1.702	43.23	1.594	40.49	10	1-640133-0
	TIN-LEAD	1.389	35.28	1.281	32.54	8	640133-8
	TIN-LEAD	1.077	27.36	.969	24.61	6	640133-6



THIS DRAWING IS A CONTROLLED DOCUMENT.

DIMENSIONS: mm	TOLERANCES UNLESS OTHERWISE SPECIFIED:	DIN T. BECK 28AUG97	APPROVED: R. SWING 28AUG97	NAME: A. REDDICK 23SEP97	PRODUCT SPEC: -	APPLICATION SPEC: -	SIZE: A1	CAGE CODE: 00779	DRAWING NO: 640133	RESTRICTED TO: -
MATERIAL: 5	FINISH: 5	WEIGHT: -	CUSTOMER DRAWING	SCALE: 5:1	SHEET: 1 OF 1	REV: N3				

STE TE Connectivity
EDGE CONNECTOR ASSEMBLY, BIFURCATED LEAF