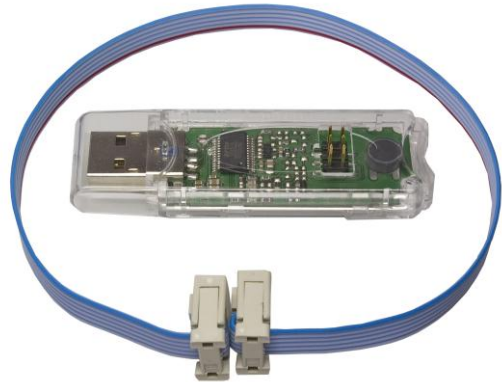


USB Level Shifter Stick Low Power

Datasheet

- The USB Level Shifter converts an existing USB interface to a TTL-UART interface with variable operating voltage, as it is often used for trace and debug functions.
- The UART interface level automatically adapts to the operating voltage of the target.
- The load of the USB Level Shifter on the Target is less than 4.0 μ A. This extremely low demand makes it ideal for battery operated circuits.
- Level conversion takes place for the UART signals TxD and RxD.
- The RxD and TxD signal cross over takes place in the USB Level Shifter.
- A 6-pin 1:1 connection cable for the target connection is included.



General technical data

Power supply	from USB
Target operating voltage	1.8V to 5.0V
Power consumption	USB typ 20mA ; max. 100mA; Target 5.0V – max. 4.0 μ A* 3.3V – max. 2.5 μ A 1.8V – max. 1.5 μ A
Connection to Target	6-pin male header
Target cable	Flat ribbon cable 280mm 6-pin female connector on both ends Pin1 is marked**
Connection to PC	USB 2.0 Typ A
Housing	ABS, transparent
Dimensions	L x W x H = 71 x 23 x 9 mm (71 x 23 x 22 mm***)
Control and display elements	3 x LED: red, yellow, green
Interfaces	<u>to Target:</u> UART, TTL-Pegel 1.8V to 5.0V 300 baud to 1 mega-baud 7 or 8 data bit; 1 or 2 stop bit parity odd / even / mark / space / no <u>to PC:</u> USB 2.0 Full Speed compatible
Operating temperature	+5 to +40°C
Storage temperature	-25 to +70°C
Type of protection	IP20

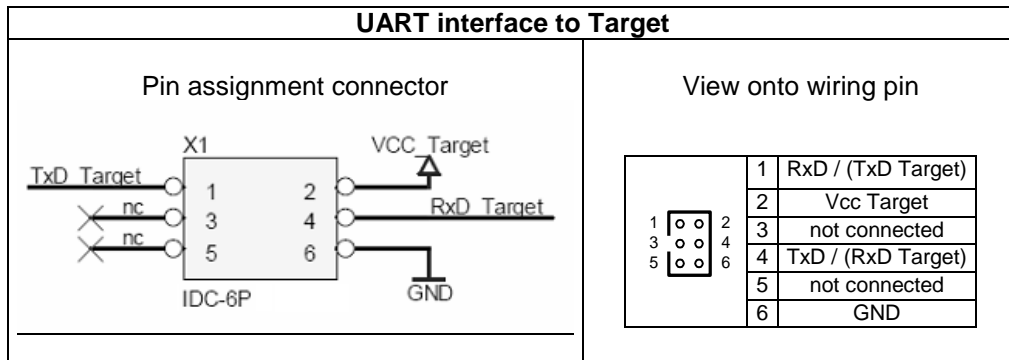
Technical Data

* $V_{Target} < V_{USB}$

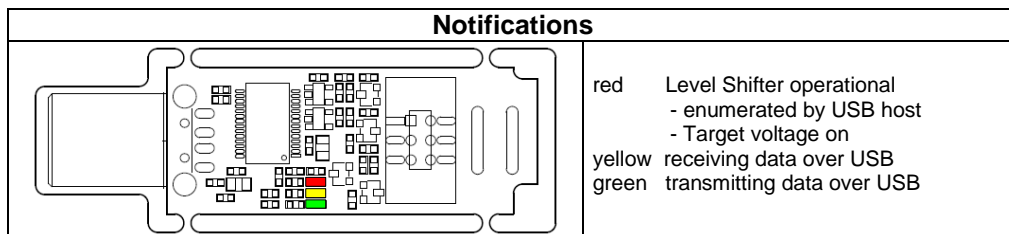
** cable – colored edge marking; jack – marked with arrow

*** including connected Target cable

Pin configuration



Pin configuration



Scope of delivery

USB Level Shifter Stick Low Power with Target Cable

Order No.

BN-031645

Accessories / Spare parts

USB Level Shifter Target Cable
 USB Cable Type A / A length 1.8m

BN-031644

BN-018198

Versions

USB Level Shifter Stick Basic

BN-031648

Suitable for

deRFtoRCB Adapter
 deRFnode family
 deRFgateway family
 deRFdevelopment Kits

BN-028216
 see homepage
 see homepage
 see homepage

Order online: <http://www.dresden-elektronik.de>

Scope of delivery / Accessories