

4

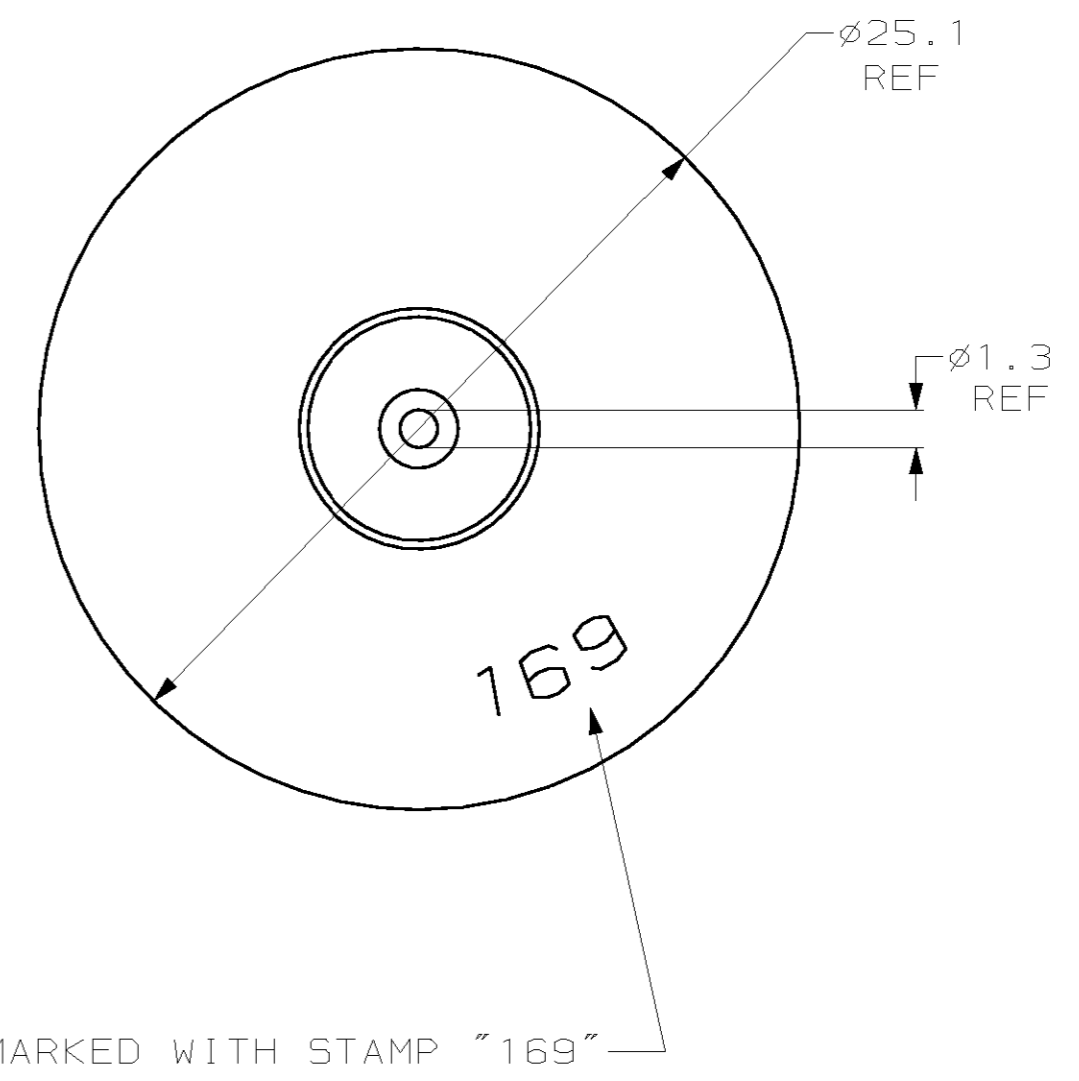
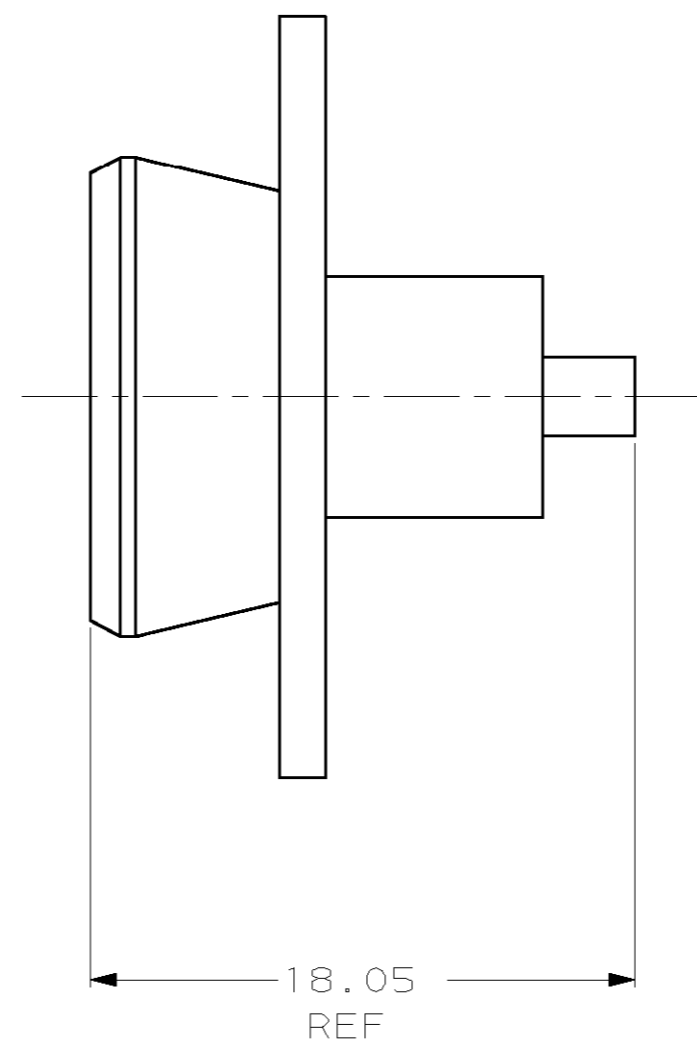
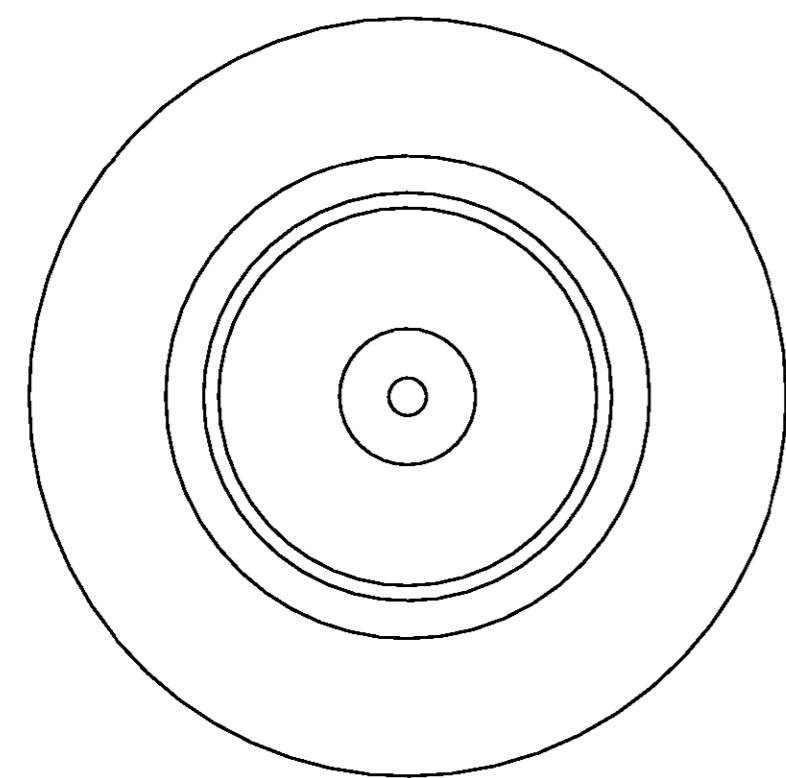
3

2

1

THIS DRAWING IS UNPUBLISHED. RELEASED FOR PUBLICATION .19  
 (C) COPYRIGHT 19 BY AMP INCORPORATED. ALL RIGHTS RESERVED.

LOC	DIST	REVISIONS			
P	LTR	DESCRIPTION	DATE	DWN	APVD
CE	16	0	RELEASED PER NPR 99-473	22SEP99	TG 5B



MARKED WITH STAMP "169"

1278997-1  
PART NUMBER

THIS DRAWING IS A CONTROLLED DOCUMENT.		DWN	T.GREEN	22SEP99
DIMENSIONS:		CHK	M.GURRERI	22SEP99
mm	TOLERANCES UNLESS OTHERWISE SPECIFIED:	APVD	S.BUCHTER	22SEP99
0 PLC	±-	PRODUCT SPEC	-	
1 PLC	±.2	APPLICATION SPEC	-	
2 PLC	±.2	WEIGHT	-	
3 PLC	±-	CUSTOMER DRAWING	-	
4 PLC	±-	SCALE	4:1	
ANGLES	±-	SHEET	1 OF 1	
MATERIAL	FINISH	REV	0	

**AMP** AMP Incorporated  
 Harrisburg, PA 17105-3608  
 MICROSCOPE ADAPTER, LC CONNECTOR  
 A2 00779 C-1278997  
 OBSOLETE NOT the LATEST REVISION

1278997