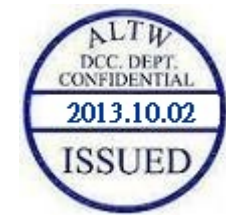
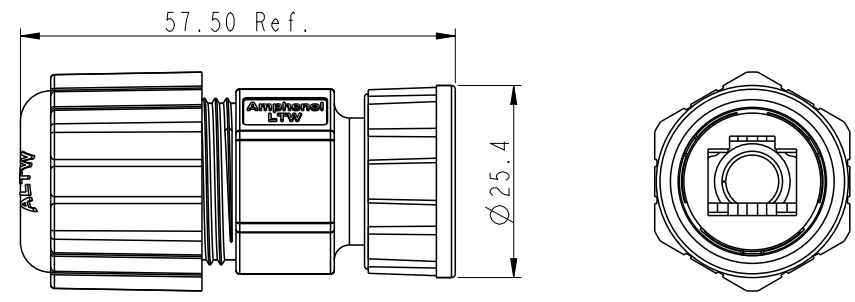
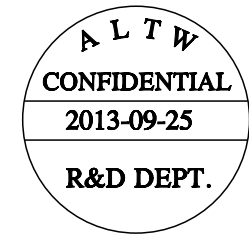
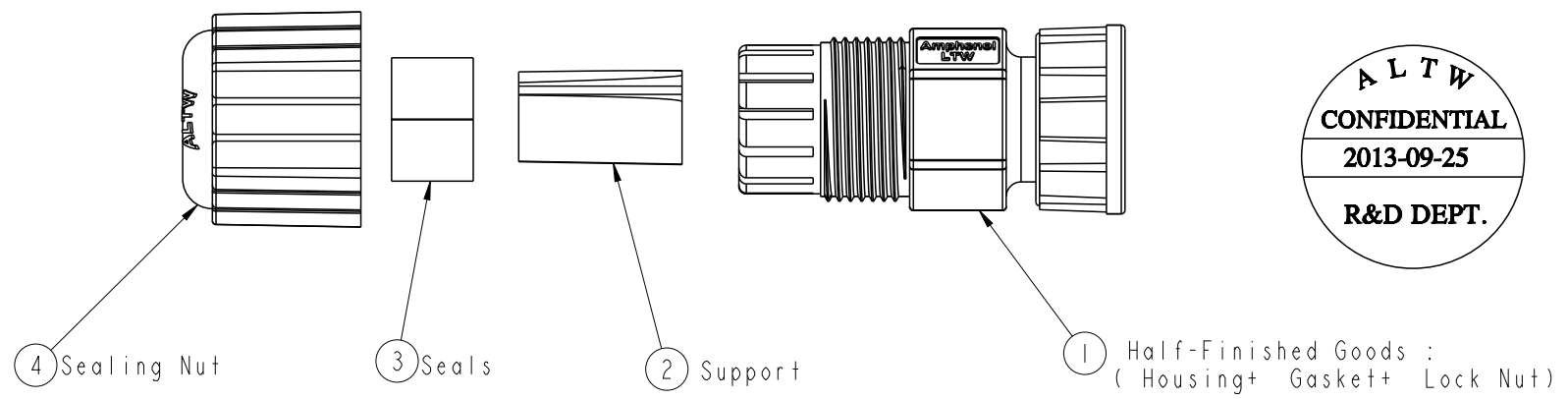


THIS DOCUMENT IS SUBJECT TO CHANGE WITHOUT NOTICE. IT IS CONFIDENTIAL AND A PROPERTY OF AMPHENOL LTW. DISCLOSURE TO THIRD PARTY HAS TO BE AUTHORIZED BY AMPHENOL LTW.

|      |         |      |      |             |
|------|---------|------|------|-------------|
| REV. | ECN NO. | DATE | SIGN | DESCRIPTION |
|      |         |      |      |             |



- Note:
- \*  $\varnothing$  Important Dimension
  - \* Waterproof Rate : IP67 (Mated)
  - \* Half-Finished Goods : ,UL 94V-0  
Housing : Nylon,Black  
Gasket : Silicon,Dgray  
Screw Nut : Nylon,Black
  - \* Support: Black,TPU
  - \* Sealing Nut: Nylon+GF,Black
  - \* Seals: Silicon,Dgray.
  - \* Cable OD Range :5.0~6.5mm
  - \* Sealing Nut Torsion Value Range: 8~15kgf-cm
  - \* One Set Unassembled in One PE Bag.

|               |   |        |             |  |  |                   |                   |             |
|---------------|---|--------|-------------|--|--|-------------------|-------------------|-------------|
| UNIT : mm<br> | TITLE<br><b>RJ45 FEED-THRU, 3T LOCK, CSIZE</b>                |        |             | <h1 style="text-align: center;">Amphenol LTW</h1> <h2 style="text-align: center;">安費諾亮泰企業股份有限公司</h2> |  | ITEM NO           | DRAWN BY          | DATE        |
|               | SCALE   | SIZE   | SHEET       |  |  | OF                | RCP-00BMS-TLM7001 | Raison_liao |
|               | TOLERANCE<br>.X ±0.25<br>.XX ±0.1<br>.XXX ±0.05<br>ANGLES ±1° | REV. A | WC-REV. A.1 | $\varnothing$ : Inspection item  |  | DWG NO            | CHECKED BY        | DATE        |
|               |   |        |             |  |  | RCP-00BMS-TLM7001 | TONY              | 2013-05-27  |
|               |   |        |             |  |  | CUSTOMER          | APPROVED BY       | DATE        |
|               |   |        |             |  |  | ALTW              | VICTOR            | 2013-05-27  |