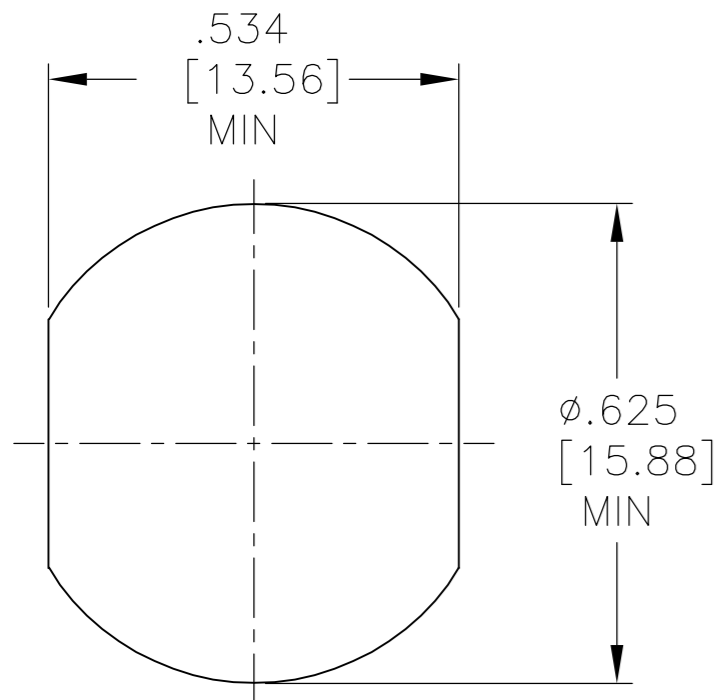


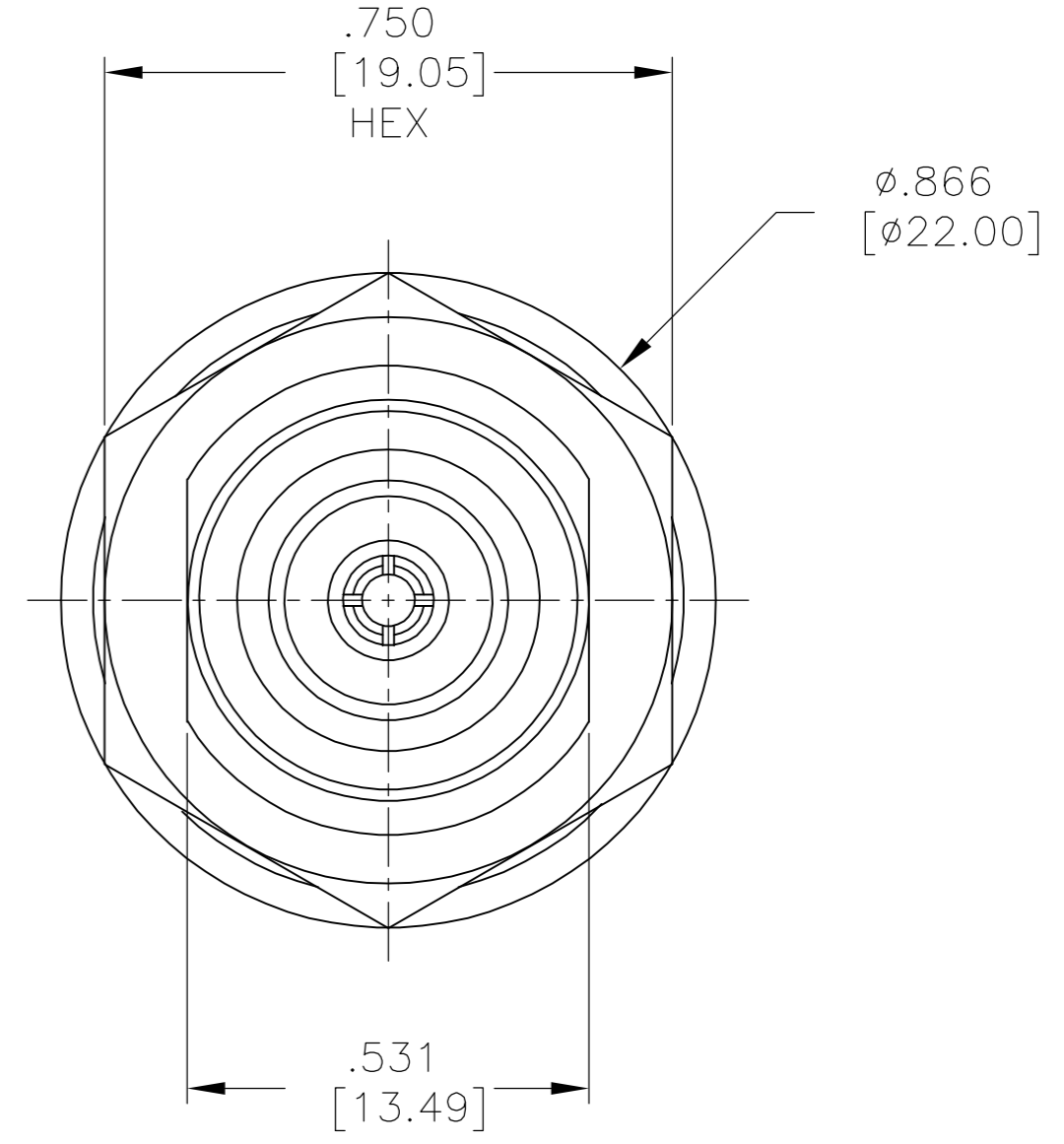
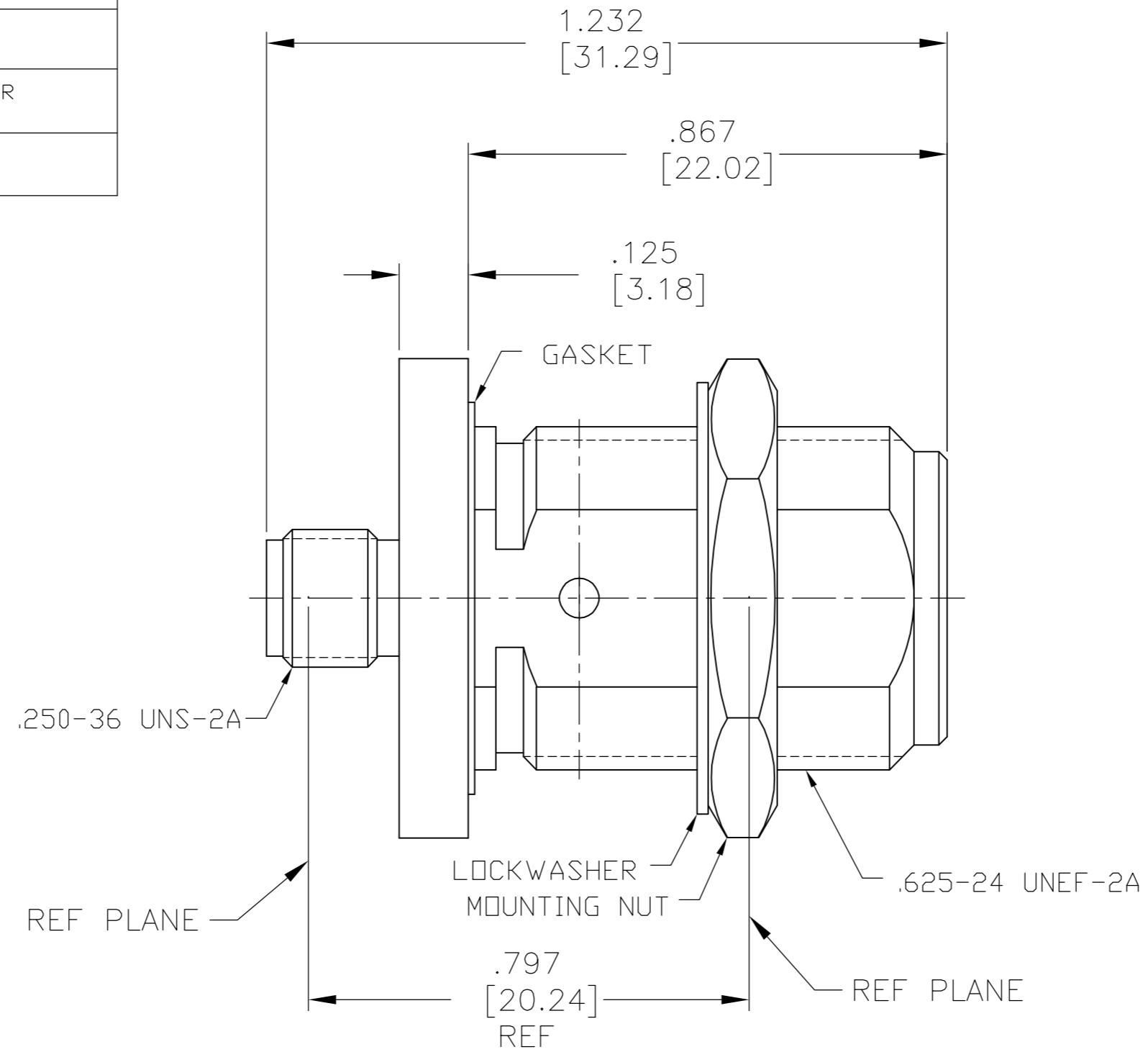
THIS DRAWING IS UNPUBLISHED. RELEASED FOR PUBLICATION - N/A .  
 © COPYRIGHT N/A BY TYCO ELECTRONICS CORPORATION. ALL RIGHTS RESERVED.

LOC	DIST	REVISIONS					
DF	X0	P	LTR	DESCRIPTION	DATE	DWN	APVD
		0		RELEASED	11-19-04	CT	FB

COMPONENT	MATERIAL	FINISH
HOUSING MOUNTING NUT LOCKWASHER	STAINLESS STEEL PER ASTM-A484 AND ASTM-A582, TYPE 303	PASSIVATE PER ASTM-A380
DIELECTRIC	TFE FLUOROCARBON PER ASTM-D-1457	N/A
CENTER CONTACT	BRASS PER ASTM-B-16, HALF HARD	GOLD PLATE PER ASTM-B-488
GASKET	SILICONE RUBBER PER ZZ-R-765	N/A



RECOMMENDED MOUNTING HOLE



ELECTRICAL	MECHANICAL	ENVIRONMENTAL
Nominal Impedance (Ohms) 50	Interface Dimensions MIL-STD-348A, Fig. 310.2 (DSM) & 304.2 (N)	TEMPERATURE RATING -65°C TO +125°C
Frequency Range (GHz) DC to 15	Recommended Mating Torque: DSM: 7-10 in-lbs	Vibration MIL-STD-202, Method 204, Condition B
Volt Rating (VRMS MAX) @ Sea Level 335	Type N: 12-15 in-lbs	Shock MIL-STD-202, Method 213, Condition I.
VSWR DC - 12.4GHz: 1.06+0.005f(GHz) MAX	Mating Characteristics: DSM-Insertion (MAX lbs) 3.0	Thermal Shock MIL-STD-202, Method 107, Condition C, EXCEPT HIGH TEMP SHALL BE +115°C
12.4 - 15.0GHz: .83+0.023f(GHz) MAX	Type N-Insertion (MAX lbs) 2.0	Moisture Resistance MIL-STD-202, Method 106
Insertion Loss (dB MAX) .18 @ 9GHz	DSM-Withdrawal (MIN oz) 1.0	Corrosion - MIL-STD-202, Method 101, Condition B, 5% salt spray
RF Leakage (dB MIN) -65 @ 2-3 GHz	Type N-Withdrawal (MIN oz) 2.0	
Corona, 70,000 Ft (VRMS MIN) 250	Force to Engage and Disengage DSM (in-lbs MAX) 2.0	
Dielectric Withstanding Voltage (VRMS MIN) @ Sea Level 1,000	Type N (in-lbs MAX) 6.0	
Contact Resistance (Milliohms MAX) Center Contact 4.1	Center Contact Captivation Axial (lbs) 6.0	
Outer Contact 2.2	Radial (in-oz) 4.0	
Cable to Housing N/A	Cable Retention Axial Force (lbs) N/A	
RF High Potential @ Sea Level (VRMS MIN @ 5 MHz) 1,000	Torque (in-oz) N/A	
I.R.(Megohms MIN) 5,000	Weight (Grams) TBD	

1663950-1  
PART NUMBER

THIS DRAWING IS A CONTROLLED DOCUMENT.

DIMENSIONS: INCHES	TOLERANCES UNLESS OTHERWISE SPECIFIED:	DWN C.C.THOMAS 19NOV2004	Tyco Electronics Corporation Harrisburg, Pa 17105-3608
	0 PLC ± -	CHK F.BLASICK 11-19-04	
	1 PLC ± -	APVD F.BLASICK 11-19-04	
	2 PLC ± -	PRODUCT SPEC	
MATERIAL	FINISH	APPLICATION SPEC	NAME OSM JACK TO OSN JACK BULKHEAD FEED-THRU ADAPTER ASSY
		WEIGHT	SIZE A2 CAGE CODE 00779 DRAWING NO C=1663950 RESTRICTED TO
		CUSTOMER DRAWING	SCALE 4:1 SHEET 1 OF 1 REV 0