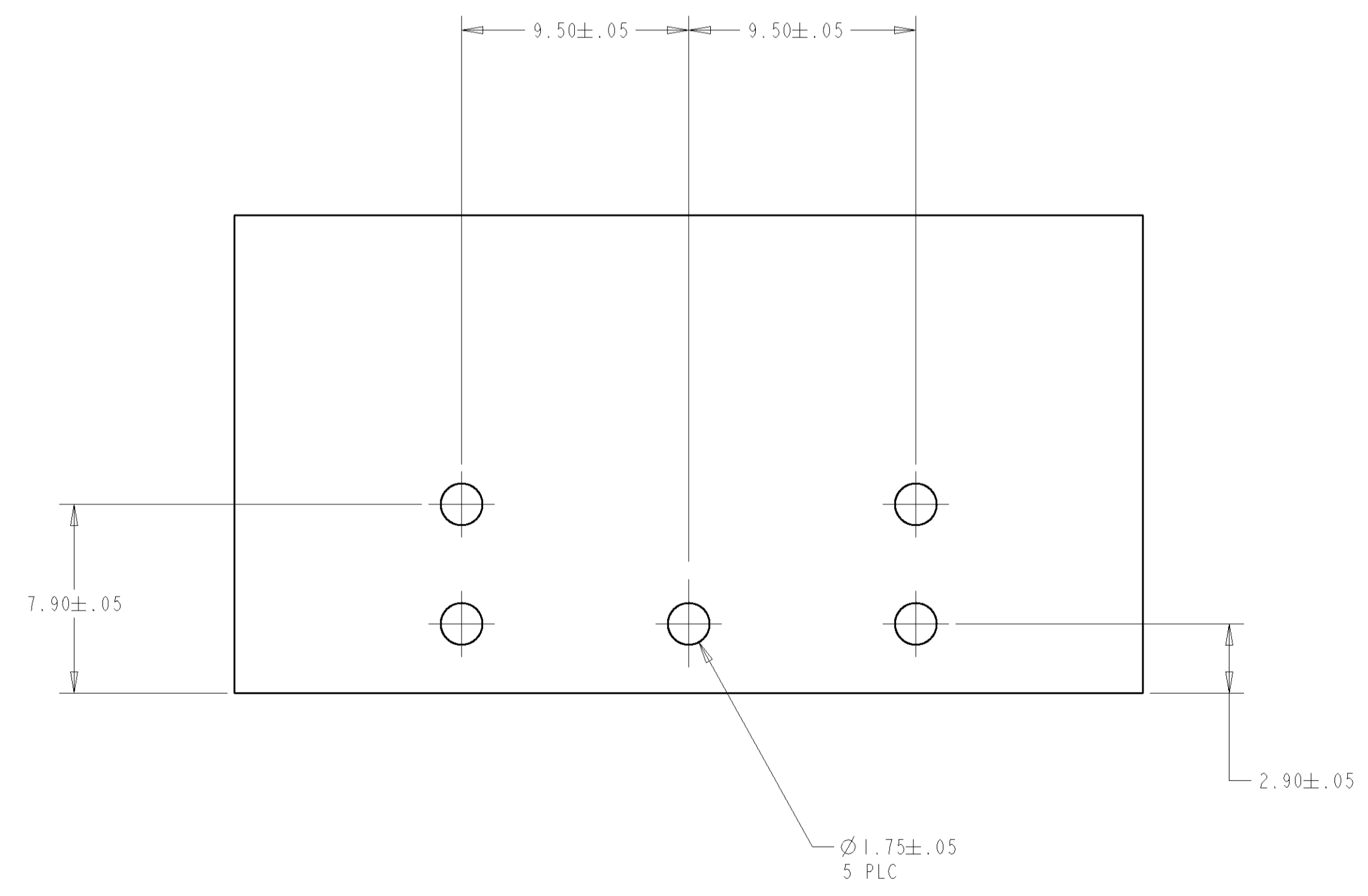
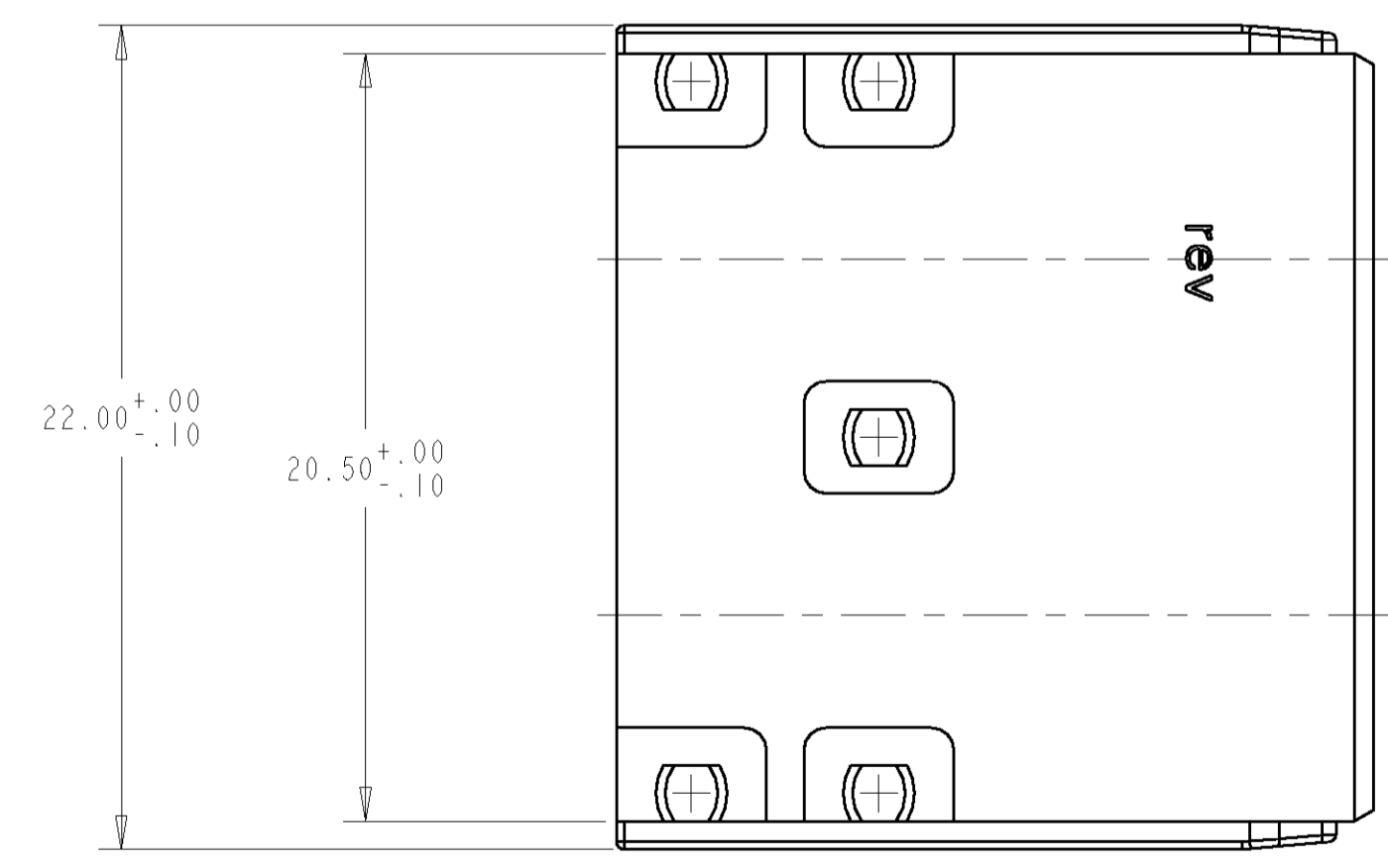
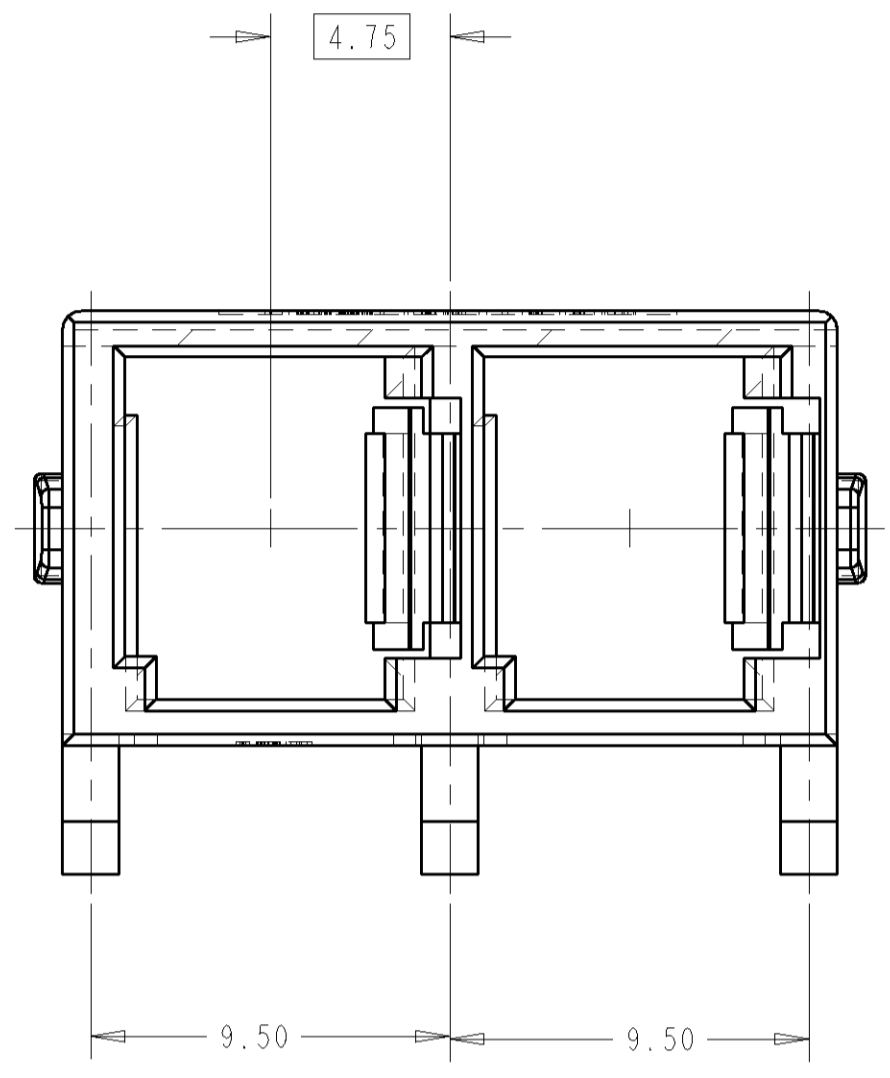
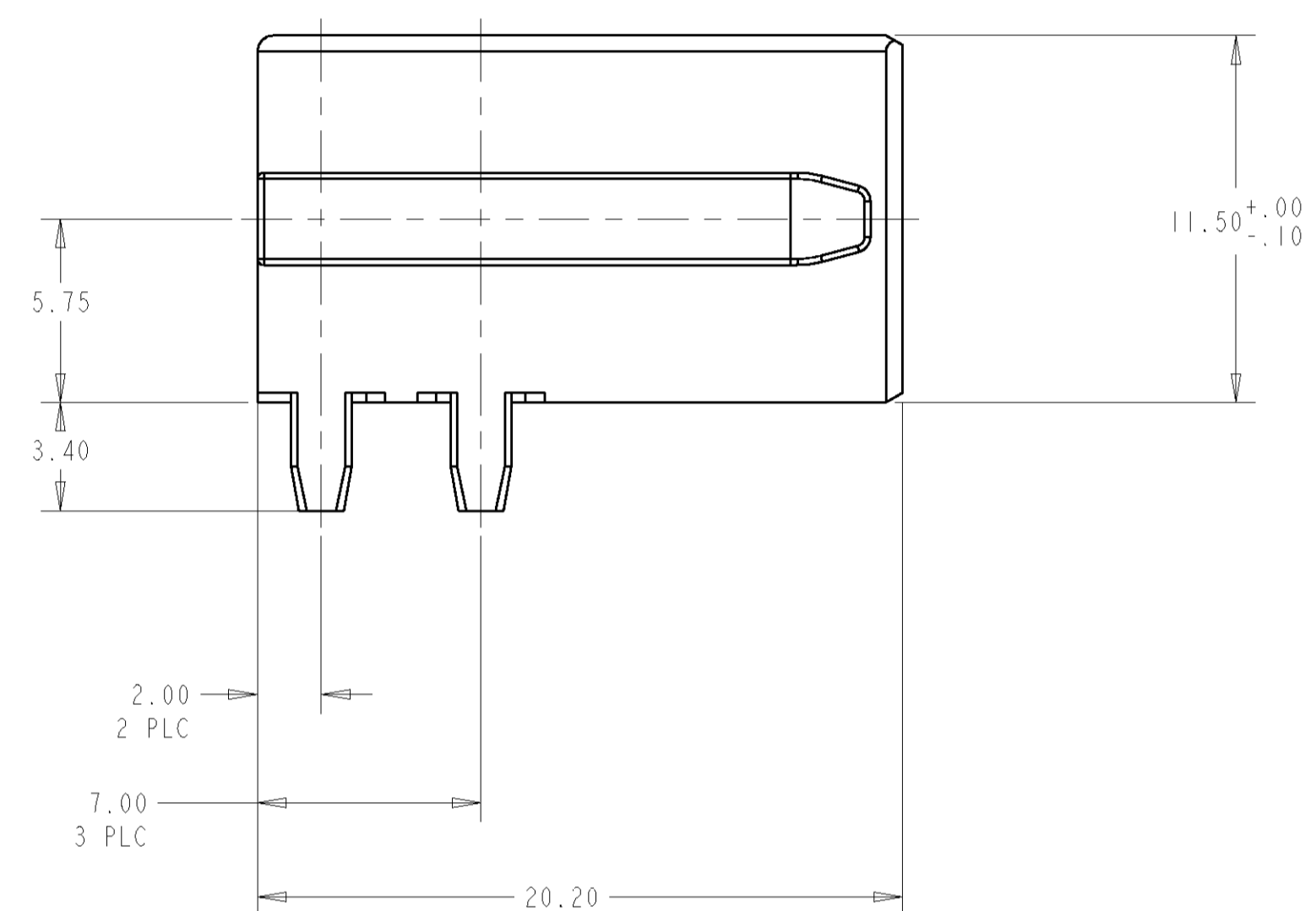
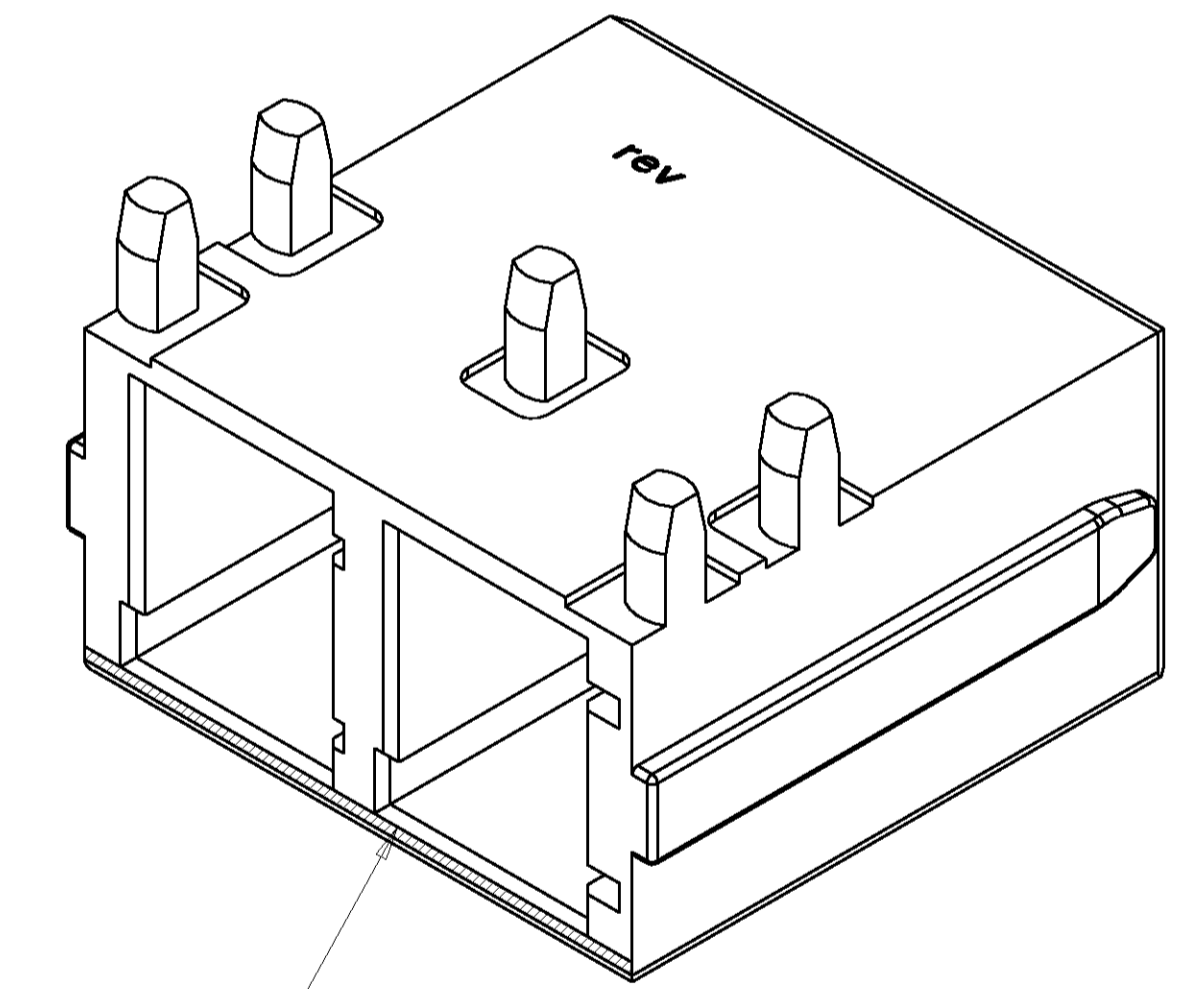
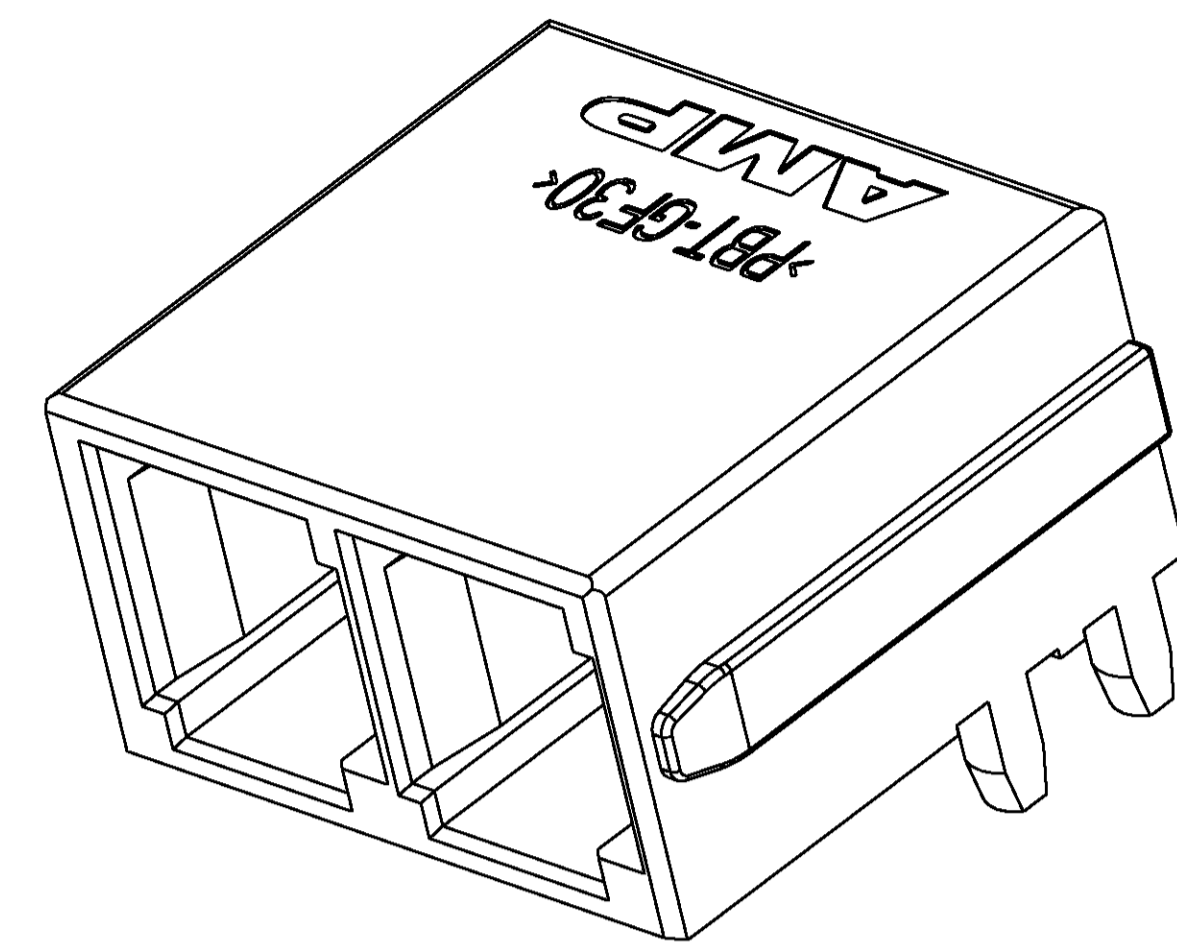


LOC	DIST	REVISIONS				
CE	16	P. LTR	DESCRIPTION	DATE	DWN	APVD
		A	EC OUB0-0070-01 / NPR 00-199	02FEB2001	EB	LB
		B	REVISED PER EC 0A00-0439-01	11DEC01	EB	AP



RECOMMENDED HOLE PATTERN  
 SCALE 5:1

WHITE STRIPE FOR  
 CONNECTOR ORIENTATION

MATERIAL: GLASS FILLED PBT,  
 COLOR: BLACK

1374491-1  
 PART NO

<small>THIS DRAWING IS UNPUBLISHED. RELEASED FOR PUBLICATION BY TYCO ELECTRONICS CORPORATION. IT IS THE POLICY OF TYCO ELECTRONICS CORPORATION TO CHANGE THE DESIGN AND CONSTRUCTION ORGANIZATION WITHOUT NOTICE FOR THE LATEST DESIGN.</small>		DWN: LG EBY 3-30-00 CHK: E. HALEY 3-30-00 APVD: L. BARKUS 3-30-00	NAME: AMP PRODUCT SPEC: APPLICATION SPEC: WEIGHT: CUSTOMER DRAWING	Tyco Electronics Harrisburg, PA 17105-3608 SYSTEM BOARD HOUSING, 1 X 2 VERTICAL, LIGHTRAY MPX SIZE: A1 CAGE CODE: 00779 DRAWING NO: 1374491 SCALE: 5/1 SHEET: 1 OF 1 REV: B
---	--	---	--	--