

**ARM<sup>®</sup> Cortex<sup>®</sup>-M0**  
**32-bit Microcontroller**

**NuMicro<sup>®</sup> Family**  
**NuTiny-SDK-Mini55**  
**User Manual**

*The information described in this document is the exclusive intellectual property of Nuvoton Technology Corporation and shall not be reproduced without permission from Nuvoton.*

*Nuvoton is providing this document only for reference purposes of NuMicro microcontroller based system design. Nuvoton assumes no responsibility for errors or omissions.*

*All data and specifications are subject to change without notice.*

For additional information or questions, please contact: Nuvoton Technology Corporation.

[www.nuvoton.com](http://www.nuvoton.com)

**Table of Contents**

1 OVERVIEW ..... 4

    1.1 GENERAL DESCRIPTION ..... 4

2 INTRODUCTION TO NUTINY-SDK-Mini55 ..... 5

    2.1 NuTiny-SDK-Mini55 (PCB Board) ..... 5

    2.2 Virtual COM Port Switch Description ..... 5

    2.3 NuTiny-SDK-Mini55 Power Setting and Connector ..... 6

        2.3.1 Power Setting .....6

        2.3.2 Debug Connector .....6

        2.3.3 ICE USB Connector .....6

        2.3.4 Extended Connector .....6

        2.3.5 Reset Button .....6

        2.3.6 Power Connector .....6

        2.3.7 Virtual COM Port Function Switch .....7

    2.4 Pin Assignment for Extended Connector ..... 8

    2.5 NuTiny-SDK-Mini55 PCB Placement ..... 9

3 How to Start NuTiny -SDK-Mini55 on the Keil  $\mu$ Vision<sup>®</sup> IDE ..... 10

    3.1 Downloading and Installing Keil  $\mu$ Vision<sup>®</sup> IDE Software .....10

    3.2 Downloading and Installing Nuvoton Nu-Link Driver .....10

    3.3 Hardware Setup .....10

    3.4 Example Program .....10

4 How to Start NuTiny -SDK-Mini55 on the IAR Embedded Workbench ..... 14

    4.1 Downloading and Installing IAR Embedded Workbench Software .....14

    4.2 Downloading and Installing Nuvoton Nu-Link Driver .....14

    4.3 Hardware Setup .....14

    4.4 Example Program .....14

5 NuTiny-EVB-Mini55 Schematic ..... 18

    5.1 Nu-Link-Me Schematic .....18

    5.2 SDK Circuit Schematic .....19

    5.3 NuTiny-SDK-MINI55 Schematic .....20

    5.4 GPIO for 48 pin Schematic .....21

6 Downloading NuMicro<sup>®</sup> Related Files from Nuvoton Website ..... 22

    6.1 Downloading NuMicro<sup>®</sup> Keil  $\mu$ Vision<sup>®</sup> IDE Driver .....22

    6.2 Downloading NuMicro<sup>®</sup> IAR EWARM Driver .....24

6.3 Downloading NuMicro® Mini55 Series BSP Software Library .....26

7 REVISION HISTORY ..... 28

## 1 OVERVIEW

NuTiny-SDK-Mini55 is the specific development tool for NuMicro® Mini55 series. The NuTiny-SDK-Mini55 can be used to develop and verify the application program easily.

NuTiny-SDK-Mini55 includes two portions. One is NuTiny-EVB-Mini55 and the other is Nu-Link-Me. NuTiny-EVB-Mini55 is the evaluation board and Nu-Link-Me is its Debug Adaptor. Thus, user does not need other additional ICE or debug equipment.

### 1.1 GENERAL DESCRIPTION

The NuMicro® Mini55 series 32-bit microcontroller is embedded with ARM® Cortex®-M0 core for industrial control and applications which require high performance, high integration, and low cost. The Cortex®-M0 is the newest ARM® embedded processor with 32-bit performance at a cost equivalent to the traditional 8-bit microcontroller.

The Mini55 series can run up to 48 MHz and operate at 2.1V ~ 5.5V, -40°C ~ 105°C, and thus can afford to support a variety of industrial control and applications which need high CPU performance. The Mini55 series offers 17.5K-bytes embedded program flash, size configurable Data Flash (shared with program flash), 2K-byte flash for the ISP, and 2K-byte SRAM.

Many system level peripheral functions, such as I/O Port, Timer, UART, SPI, I2C, PWM, ADC, Watchdog Timer, Analog Comparator and Brown-out Detector, have been incorporated into the Mini55 series in order to reduce component count, board space and system cost. These useful functions make the Mini55 series powerful for a wide range of applications.

Additionally, the Mini55 series is equipped with ISP (In-System Programming) and ICP (In-Circuit Programming) functions, which allow the user to update the program memory without removing the chip from the actual end product. The Mini55 series also supports In-Application-Programming (IAP) function, user switches the code executing without the chip reset after the embedded flash is updated.

## 2 INTRODUCTION TO NUTINY-SDK-MINI55

NuTiny-SDK-Mini55 uses the Mini55LDE as the target microcontroller. Figure 2.1-1 shows the NuTiny-SDK-Mini55 for the Mini55 series, wherein the left portion is called NuTiny-EVB-Mini55 and the right portion is Debug Adaptor called Nu-Link-Me.

### NuTiny-EVB-Mini55

NuTiny-EVB-Mini55 is similar to other development boards. It can be used to develop and verify applications to emulate the real behavior. The on-board chip covers Mini55 series features. The NuTiny-EVB-Mini55 can be a real system controller to design user's target systems.

### Nu-Link-Me

- Debug Adaptor

The Nu-Link-Me Debug Adaptor connects your PC's USB port to the user's target system (via Serial Wired Debug Port) and allows user to program and debug embedded programs on the target hardware. To use Nu-Link-Me Debug adaptor with IAR or Keil, please refer to "Nuvoton NuMicro® IAR ICE driver user manual" or "Nuvoton NuMicro® Keil ICE driver user manual" in detail. These two documents will be stored in the local hard disk when user installs each driver.

- Virtual COM Port

The Nu-Link-Me also supports virtual COM port function. The Nu-Link-Me can be used as a USB to UART virtual COM port, which connects to on-board Mini55LDE UART0. Virtual COM port function is defaulted to off. User can turn on all of the positions of switch to enable it.

### 2.1 NuTiny-SDK-Mini55 (PCB Board)

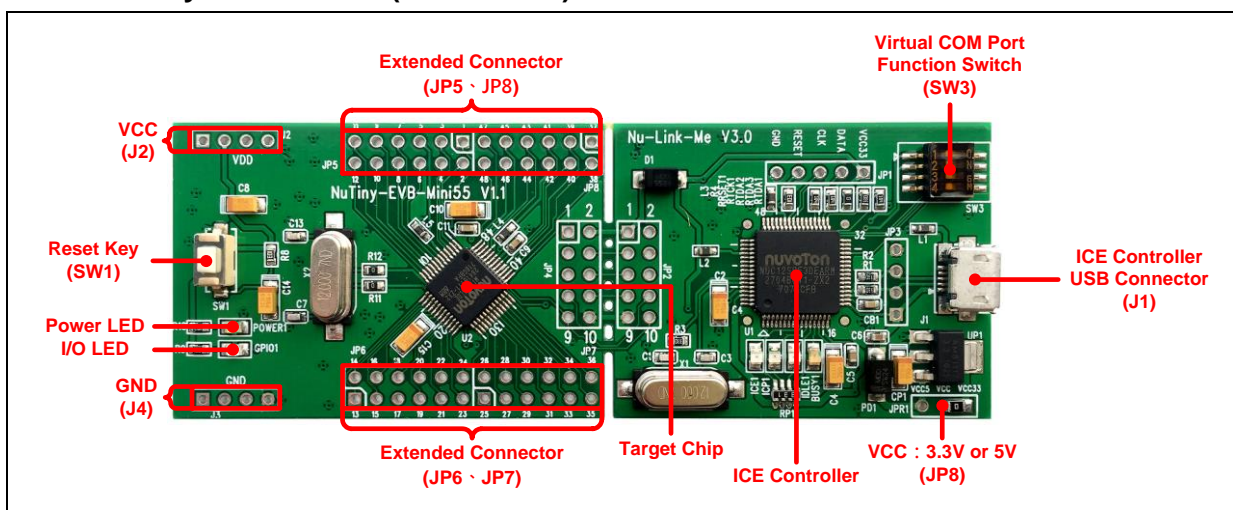


Figure 2.1-1 NuTiny-SDK-Mini55 (PCB Board)

### 2.2 Virtual COM Port Switch Description

The switch in Nu-Link-Me, SW3, determines that the virtual COM port function is enabled or disabled. When user turns on all of the positions of switch, the virtual COM port function will be enabled. By using virtual COM port function, user can access the USB device in the same way as it would access a standard COM port to Mini55LDE UART0. To use this function, user needs to install "VCOM Driver" at first. User can get "VCOM Driver" from NuMicroDVD in the folder "Software Utilities".

## 2.3 NuTiny-SDK-Mini55 Power Setting and Connector

### 2.3.1 Power Setting

- J1: USB port in Nu-Link-Me
- J2: V<sub>DD</sub> Voltage connector in NuTiny-EVB-Mini55

Model	JPR1	J1 USB port	J2 V <sub>DD</sub>	MCU Voltage
Model 1	Select VCC33 (default)	Connect to PC	DC 3.3V output	DC 3.3V
Model 2	Select VCC5	Connect to PC	DC 5V output	DC 5V
Model 3*	X	X	DC 2.1 V ~ 5.5 V Input	Voltage by J2 input

X: Unused

**Note** \*: Need to separate NuTiny-EVB-Mini55 and Nu-Link-Me

### 2.3.2 Debug Connector

- JP4: Connector in target board (NuTiny-EVB-Mini55) for connecting with Nuvoton ICE adaptor (Nu-Link-Me)
- JP2: Connector in ICE adaptor (Nu-Link-Me) for connecting with a target board (NuTiny-EVB-Mini55)

### 2.3.3 ICE USB Connector

- J1: Mini USB Connector in Nu-Link-Me connected to a PC USB port

### 2.3.4 Extended Connector

- JP5, JP6, JP7 and JP8: Show all chip pins in NuTiny-EVB-Mini55

### 2.3.5 Reset Button

- SW1: Reset button in NuTiny-EVB-Mini55

### 2.3.6 Power Connector

- J2: V<sub>DD</sub> connector in NuTiny-EVB-Mini55
- J3: GND connector in NuTiny-EVB-Mini55

**2.3.7 Virtual COM Port Function Switch**

- SW3: Switch ON/OFF to enable or disable Nu-Link-Me virtual COM port function.

Function	Switch				Descriptions
	1	2	3	4	
Enable	ON	ON	ON	ON	Enable Nu-Link-Me virtual COM port function
Disable	OFF	OFF	OFF	OFF	Disable Nu-Link-Me virtual COM port function

## 2.4 Pin Assignment for Extended Connector

The NuTiny-EVB-Mini55 provides Mini55LDE on board and the extended connector for LQFP-48 pin. Table 2.4-1 is the pin assignment for Mini55LDE.

Pin No	Pin Function	Pin No	Pin Function
01	NC	25	P2.5, PWM3, TX1
02	P1.5, AIN5, ACMP0_P, TX1	26	P2.6, PWM4, ACMP1_O
03	nRESET	27	P2.7
04	P3.0, AIN6, ACMP1_N	28	NC
05	AV <sub>SS</sub>	29	P4.6, ICE_CLK
06	P5.4, AIN8	30	P4.7, ICE_DAT
07	P3.1, AIN7, ACMP1_P	31	NC
08	P3.2, INT0, STADC, T0EX, ACMP1_P	32	P0.7, SPICLK
09	P3.4, T0, SDA, ACMP1_P, AIN9	33	P0.6, MISO
10	P3.5, T1, SCL, ACMP1_P, AIN10	34	P0.5, MOSI
11	P3.7	35	P0.4, SPISS, PWM5
12	NC	36	NC
13	NC	37	P0.1, RTSn, RX0, SPISS
14	P3.6, ACMP0_O, CKO, T1EX, AIN11	38	P0.0, CTSn, TX0
15	P5.1, XT_OUT	39	NC
16	P5.0, XT_IN	40	NC
17	V <sub>SS</sub>	41	P5.3, AIN0, ADC_VREF
18	LDO_CAP	42	V <sub>DD</sub>
19	P5.5	43	AV <sub>DD</sub>
20	P5.2, INT1	44	P1.0, AIN1, ACMP0_P
21	NC	45	P1.2, AIN2, RX, ACMP0_P
22	P2.2, PWM0	46	P1.3, AIN3, TX, ACMP0_P, INT0
23	P2.3, PWM1	47	P1.4, AIN4, ACMP0_N, RX1
24	P2.4, PWM2, RX1	48	P1.6

Table 2.4-1 Pin Assignment for Mini55LDE



## 2.5 NuTiny-SDK-Mini55 PCB Placement

User can refer to Figure 2.5-1 for the NuTiny-SDK-Mini55 PCB placements.

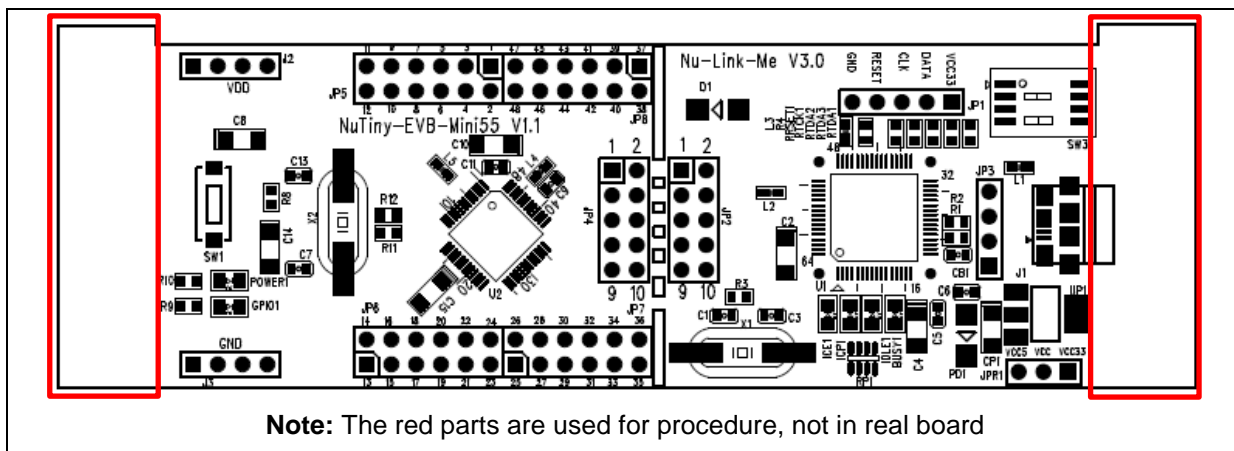


Figure 2.5-1 NuTiny-SDK-Mini55 PCB Placement

### 3 HOW TO START NUTINY -SDK-MINI55 ON THE KEIL MVISION® IDE

#### 3.1 Downloading and Installing Keil μVision® IDE Software

Please connect to the Keil company website (<http://www.keil.com>) to download the Keil μVision® IDE and install the RVMDK.

#### 3.2 Downloading and Installing Nuvoton Nu-Link Driver

Please connect to Nuvoton NuMicro® website (<http://www.nuvoton.com/NuMicro>) to download the “NuMicro® Keil μVision® IDE driver” file. Please refer to section 6.1 for the detailed download flow. After the Nu-Link driver is downloaded, please unzip the file and execute the “Nu-Link\_Keil\_Driver.exe” to install the driver.

#### 3.3 Hardware Setup

The hardware setup is shown as Figure 3.3-1



Figure 3.3-1 NuTiny-SDK-Mini55 Hardware Setup

#### 3.4 Example Program

This example demonstrates downloading and debugging an application on a NuTiny-SDK-Mini55 board. The example file can be downloaded from Nuvoton NuMicro® website and found in the directory list shown in Figure 3.4-1.

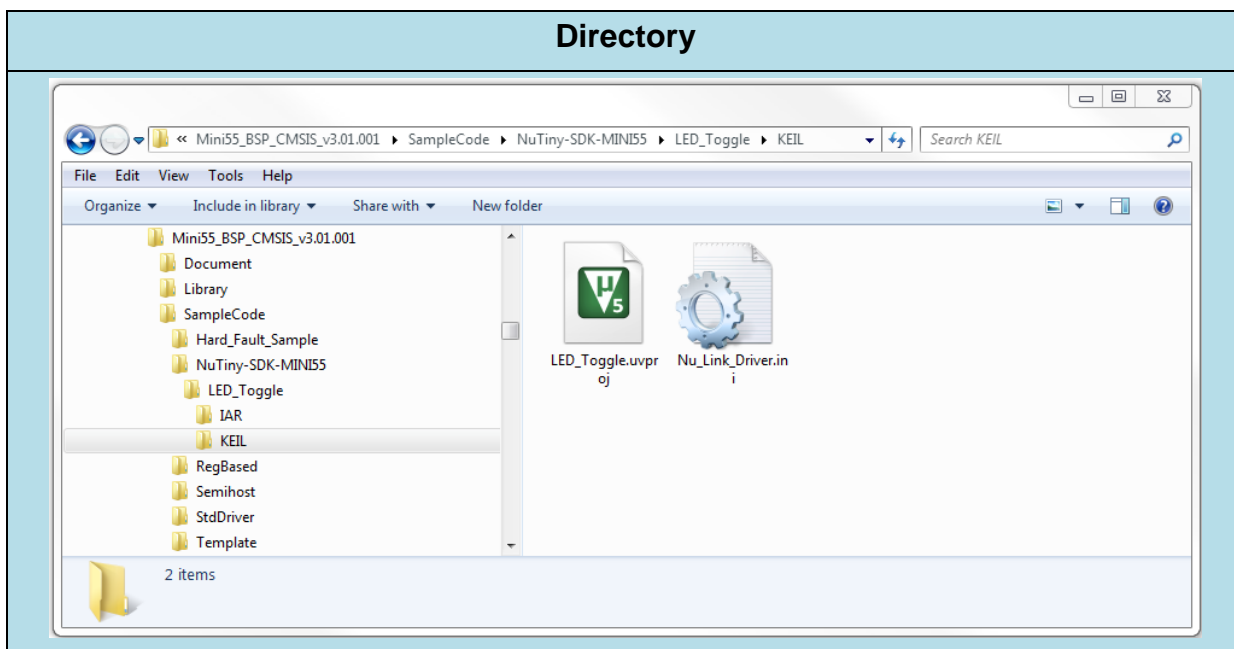
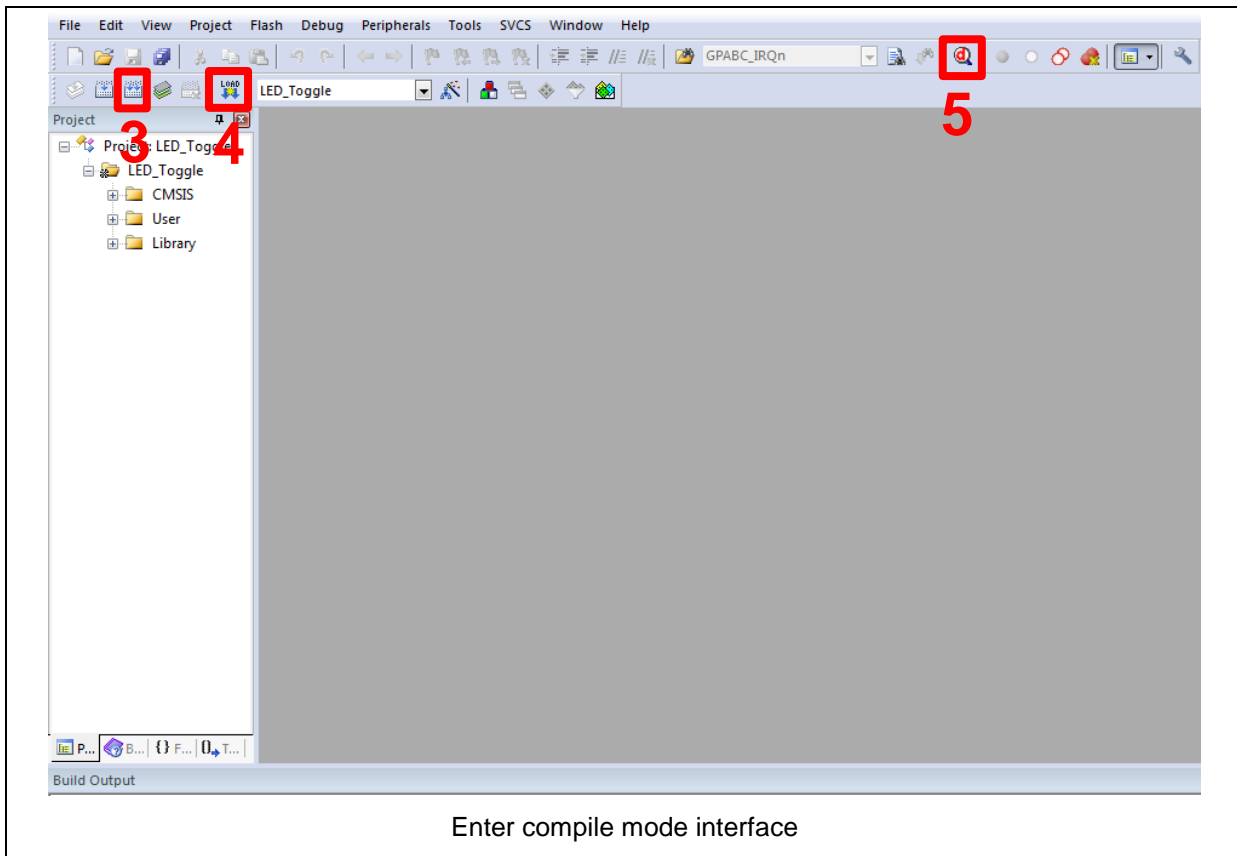





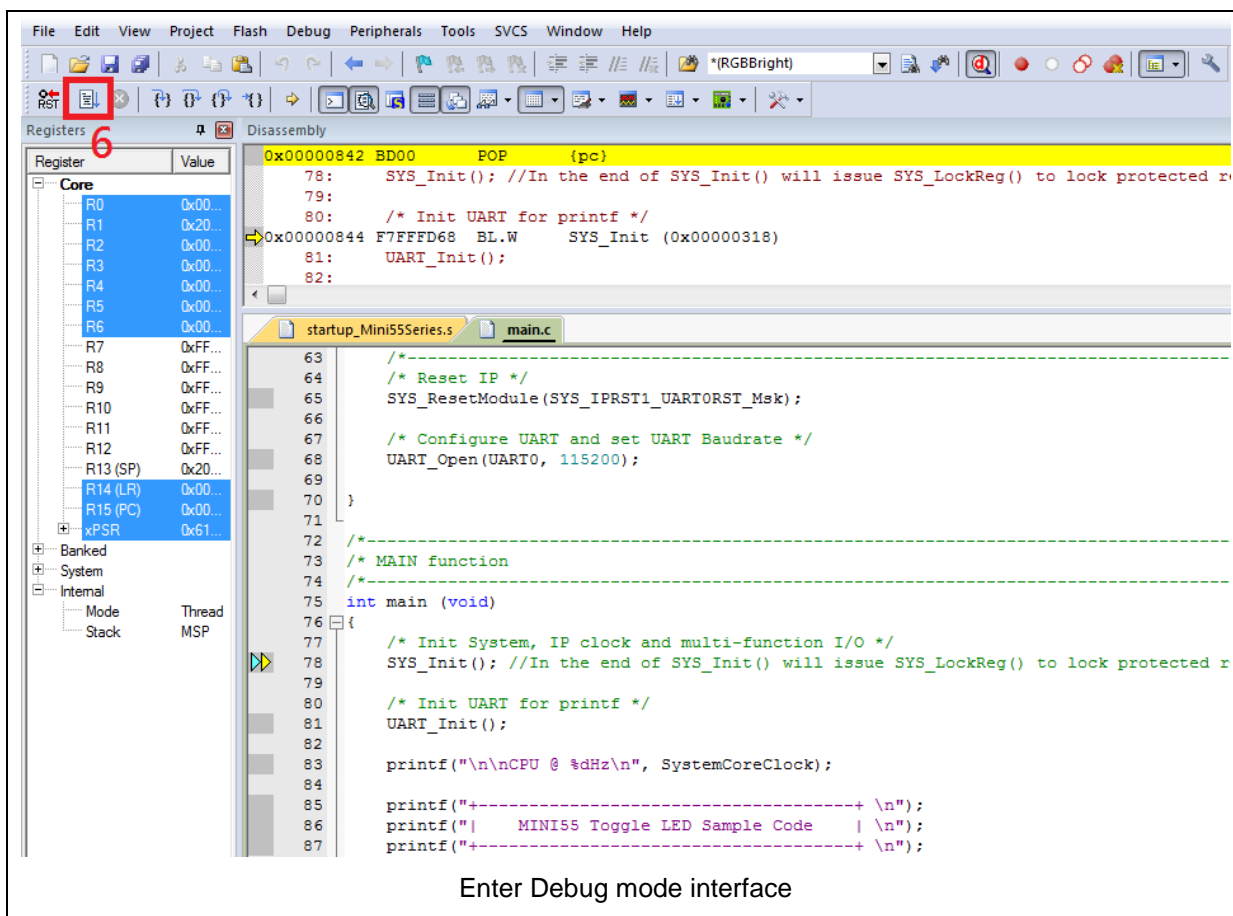
Figure 3.4-1 Example Directory

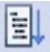
To use this example:

1. Open a project from the BSP installation folder (default as C:\Nuvoton) using the following path :  
 \Mini55\_BSP\_CMSIS\_v3.xx.xxx\SampleCode\NuTiny-SDK-MINI55\LED\_Toggle\KEIL
2. Execute “**LED\_Toggle.uvproj**”



3.  Compiler
4.  Download the program code to Flash
5.  Enter / Exit Debug mode



6.  Execute the program
7. The I/O LED on the NuTiny-EVB-Mini55 board will be toggled on.

## 4 HOW TO START NUTINY -SDK-MINI55 ON THE IAR EMBEDDED WORKBENCH

### 4.1 Downloading and Installing IAR Embedded Workbench Software

Please connect to IAR company website (<http://www.iar.com>) to download the IAR Embedded Workbench and install the EWARM.

### 4.2 Downloading and Installing Nuvoton Nu-Link Driver

Please connect to Nuvoton NuMicro<sup>®</sup> website (<http://www.nuvoton.com/NuMicro>) to download the “NuMicro<sup>®</sup> IAR EWARM Driver” file. Please refer to section 6.2 for the detailed download flow. After the Nu-Link driver is downloaded, please unzip the file and execute the “Nu-Link\_IAR\_Driver.exe” to install the driver.

### 4.3 Hardware Setup

The hardware setup is shown as Figure 4.3-1.

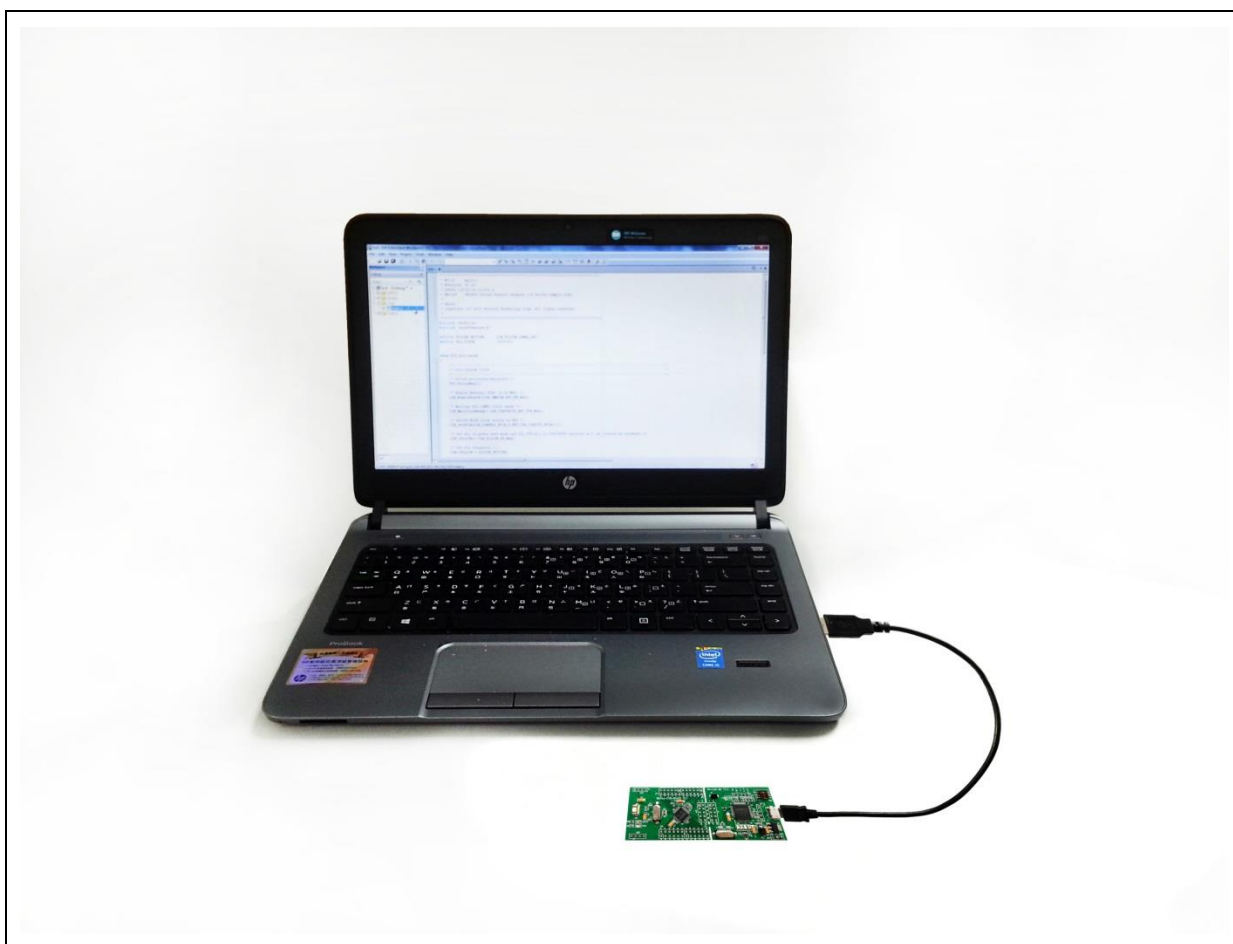


Figure 4.3-1 NuTiny-SDK-Mini55 Hardware Setup

### 4.4 Example Program

This example demonstrates downloading and debugging an application on a NuTiny-SDK-Mini55 board. The example file can be downloaded from Nuvoton NuMicro<sup>®</sup> website and found in the directory list shown in Figure 4.4-1.

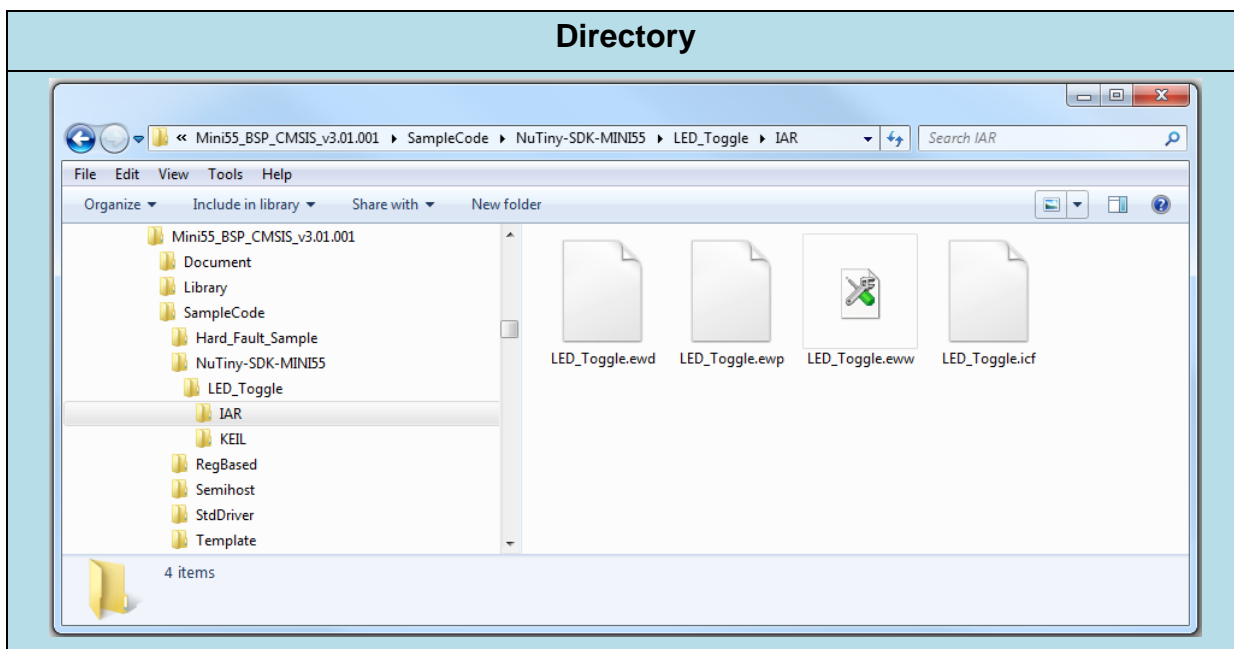
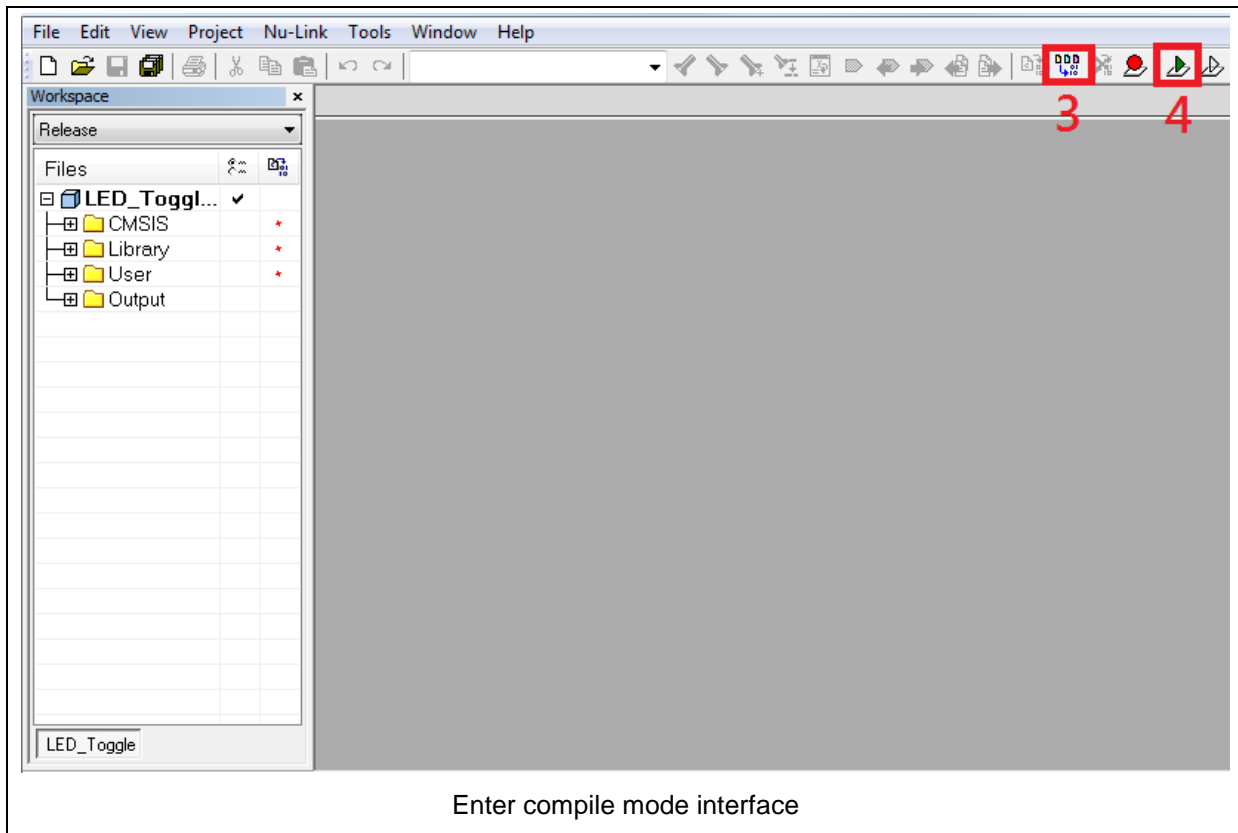




Figure 4.4-1 Example Directory

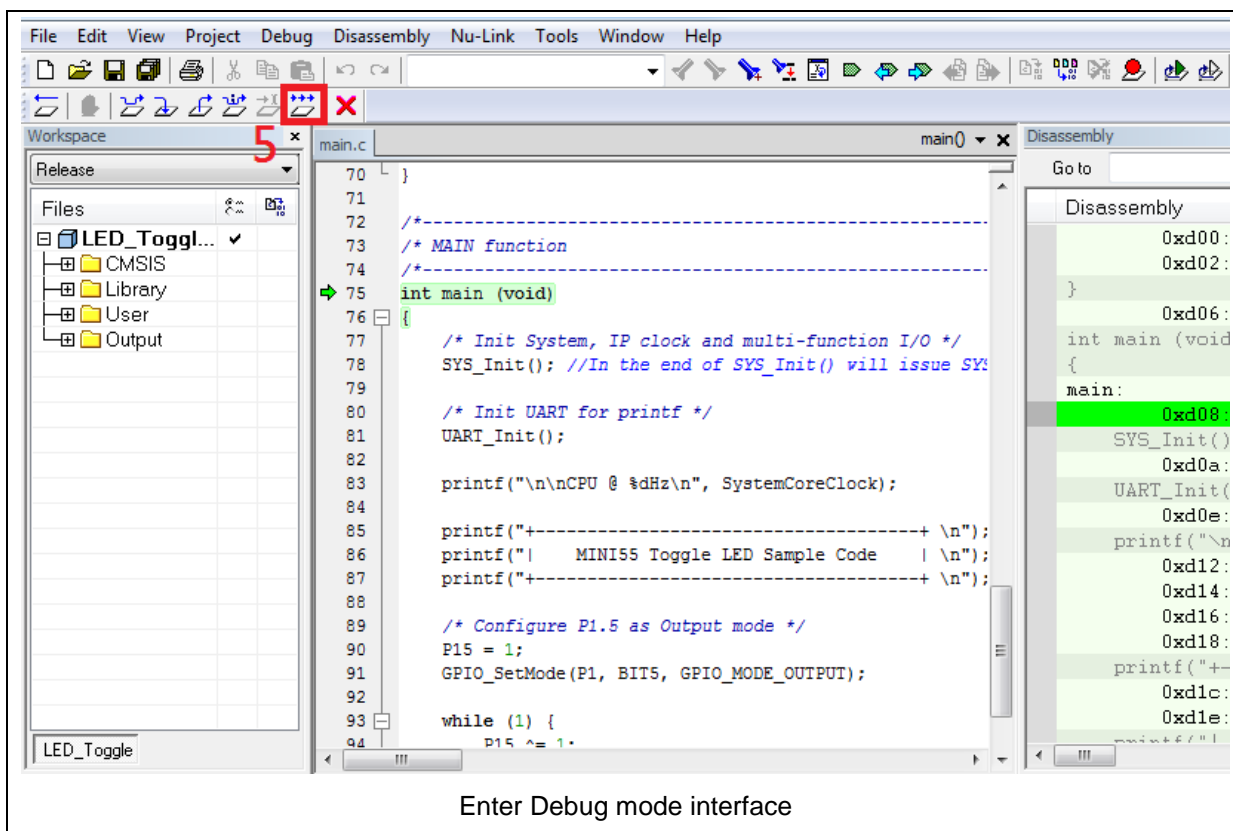
To use this example:


1. Open a project from the BSP installation folder (default as C:\Nuvoton) using the following path :  
 \Mini55\_BSP\_CMSIS\_v3.xx.xxx\SampleCode\NuTiny-SDK-MINI55\LED\_Toggle\IAR
2. Execute “**LED\_Toggle.eww**”



3.  Compile and make
4.  Download the program code to Flash and Enter Debug mode

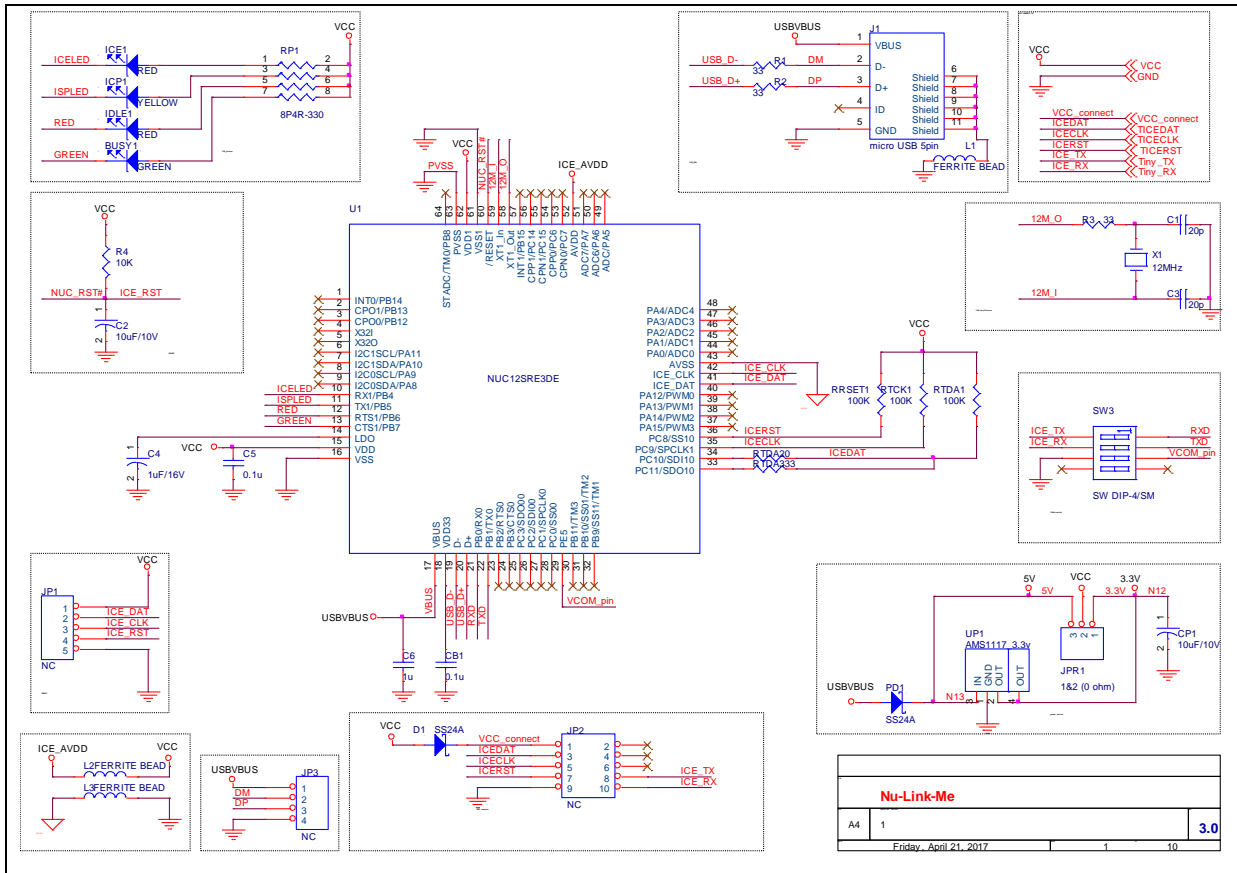




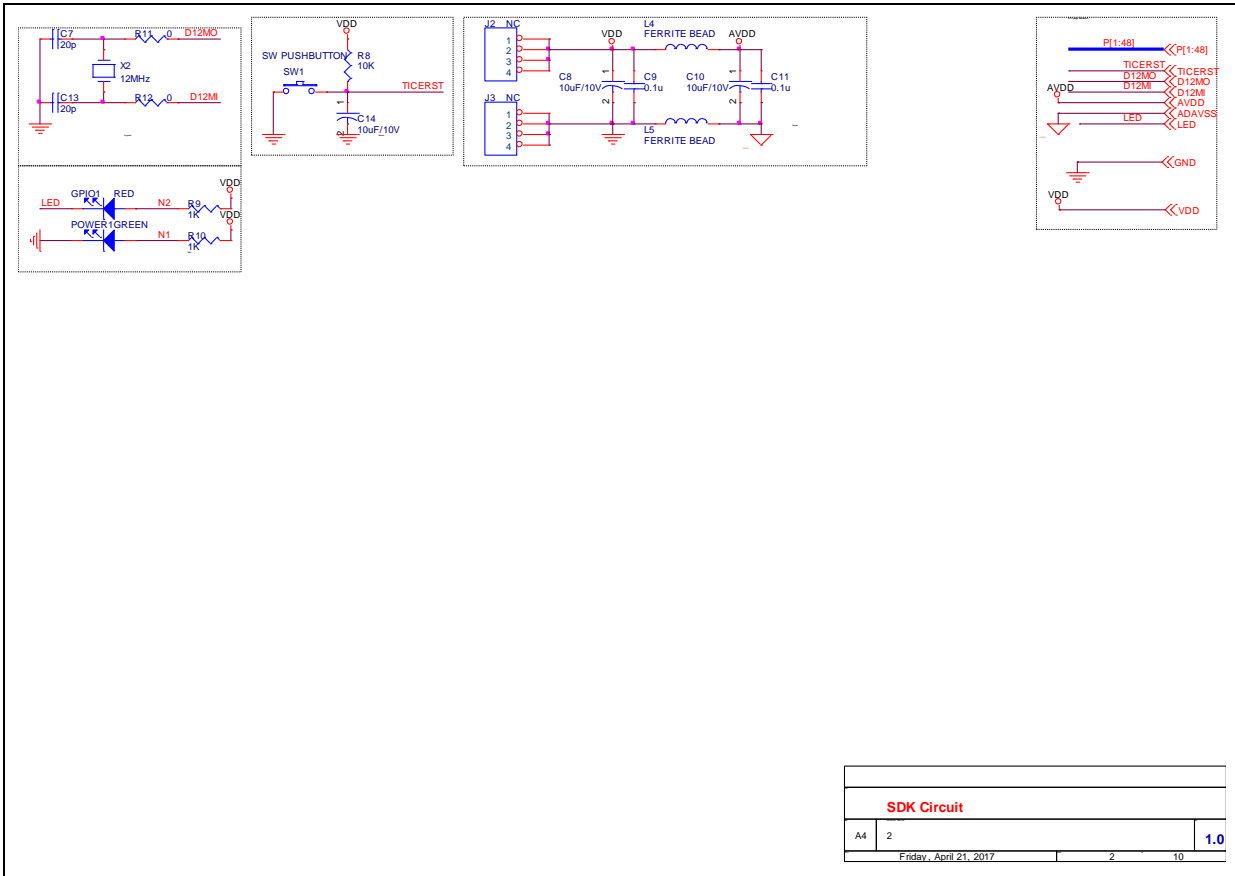
5.  Execute the program
6. The I/O LED on the NuTiny-EVB-Mini55 board will be toggled on.

## 5 NUTINY-EVB-MINI55 SCHEMATIC

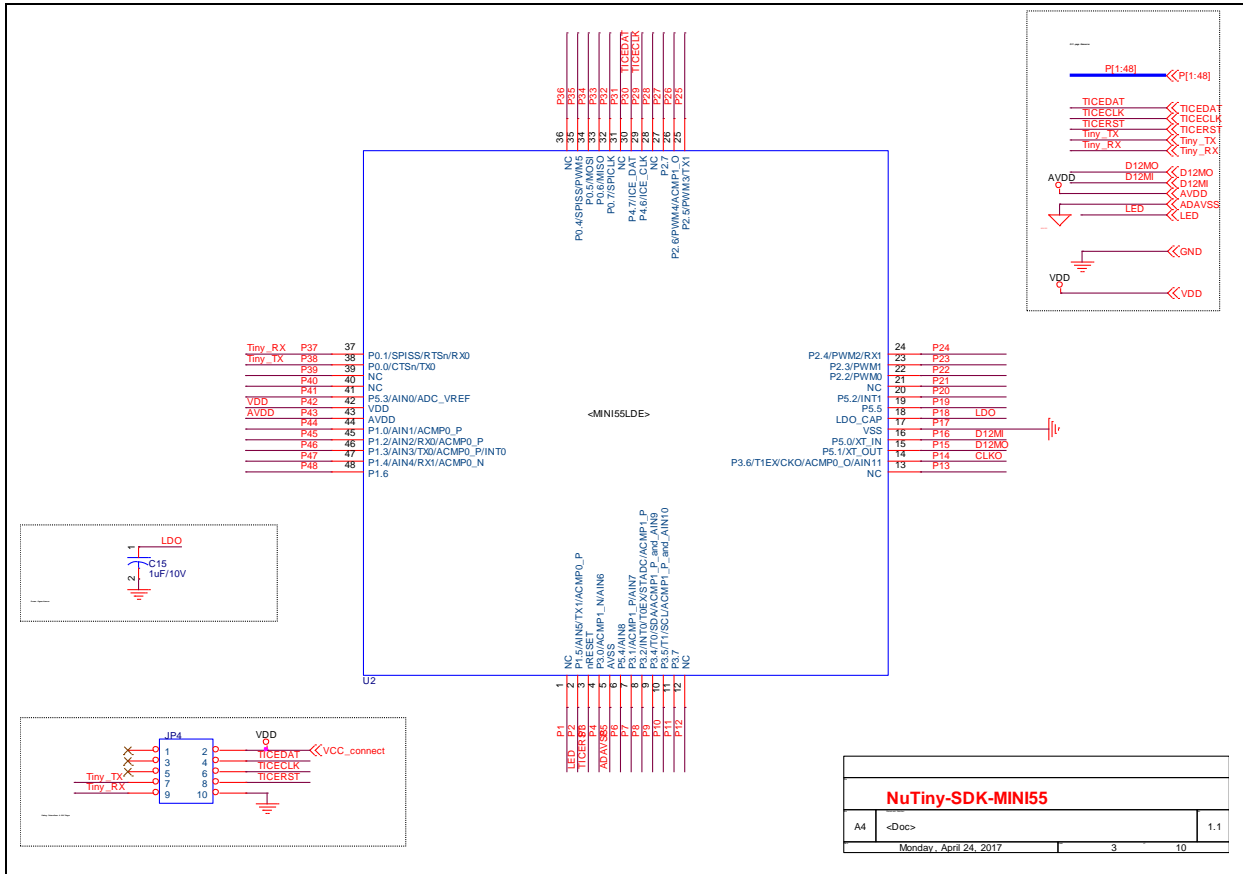
### 5.1 Nu-Link-Me Schematic



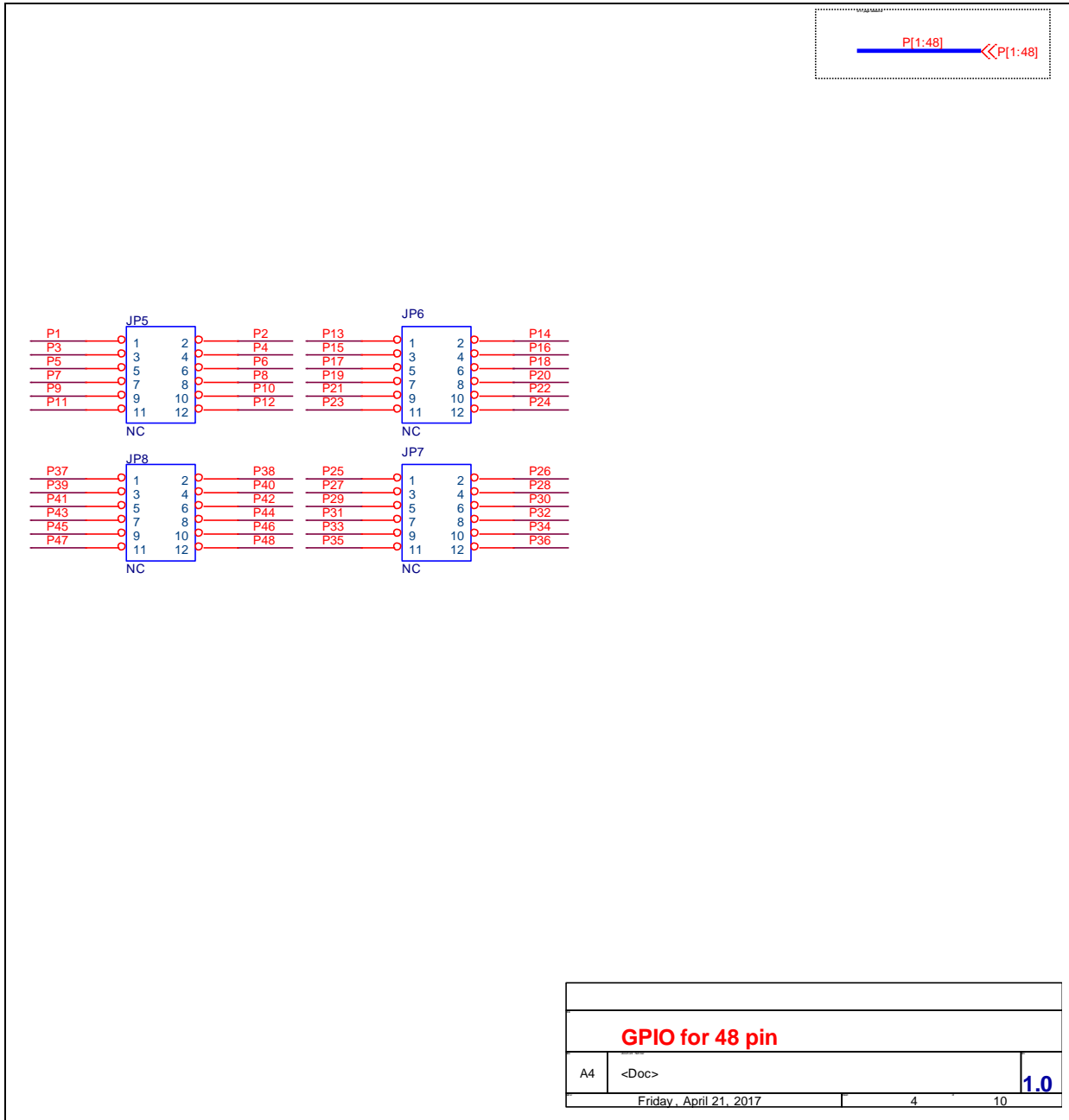
### 5.2 SDK Circuit Schematic



5.3 NuTiny-SDK-MINI55 Schematic



### 5.4 GPIO for 48 pin Schematic



## 6 DOWNLOADING NUMICRO<sup>®</sup> RELATED FILES FROM NUVOTON WEBSITE

### 6.1 Downloading NuMicro<sup>®</sup> Keil $\mu$ Vision<sup>®</sup> IDE Driver

**Step1** Visit the Nuvoton NuMicro<sup>®</sup> website: <http://www.nuvoton.com/NuMicro>.

**Step2**

The screenshot shows the Nuvoton NuMicro website interface. A yellow oval labeled "2-1. Move to 'Support'" points to the "Support" link in the top navigation bar. A second yellow oval labeled "2-2. Click here to enter Tool & Software" points to the "Tool & Software" option in the dropdown menu that appears under "Support". The main content area features a product matrix with various NuMicro series (e.g., NUC100, Nano120, NUC220, NUC240, NUC120, NUC230, AU9110, AU9120\*, M051, Nano102, Nano112, Mini51) plotted against memory size (16K, 32K, 64K) and application categories (Industrial Control, Low Power, USB Application, Automotive Application, Audio Application). A "Developing" label is present for the Mini51 series. The right sidebar includes sections for "Online Support" (Training, Forum, FAQ), "Featured Products" (M0516LDE, MINI54FDE, NANO130KE3BN), "Featured Videos" (M0 Introduction(06:35)), and "Featured Applications".

Register | Login | Language

Parametric Search

News | Events | CSR | Human Resources | Investors | Contact Us | NuvoTon Partner

Products Applications Support Foundry Service Buy myNuvoTon About NuvoTon

Home > Support > Tool & Software

**Development Tool Hardware**

- Learning
- Product Related Information
- Tool & Software
- Development Tool Hardware
- Development Kit
- Learning Board
- Programmer
- Software**
- Third Party Tool
- Reference Design
- FAQ
- Sales Support
- Technical Support
- Forum

**Click here to enter Software download page**

**Programmer Software Tools Package**

File name	Description	Version	Date
ICP Programming Tool V1.25.6287.zip Revision History	NuMicro ICP tool & user manual	V1.25.6287	2014-01-16
ISP Programming Tool V1.44.zip Revision History	NuMicro ISP tool & user manual	V1.44	2014-01-20
NuGang Programmer V6.21.zip Revision History	NuMicro NuGang Programmer user manual	V6.21	2014-01-24

**Nu-Link Driver**

File name	Description	Version	Date
Nu-Link Driver for Keil RVMDK V1.25.6287.zip Revision History	This driver is to support Nu-Link to work under Keil RVMDK Development Environment for all NuMicro Family Devices.	V1.25.6287	2014-01-16
Nu-Link Driver for IAR EWARM V1.25.6287.zip Revision History	This driver is to support Nu-Link to work under IAR EWARM Development Environment for all NuMicro Family Devices.	V1.25.6287	2014-01-16

User Feedback    TOP

**Click here to download**

**Step3**

**Step4**

**Step5**    Download the NuMicro® Keil µVision® IDE driver.

## 6.2 Downloading NuMicro® IAR EWARM Driver

**Step1** Visit the Nuvoton NuMicro® website: <http://www.nuvoton.com/NuMicro>.

The screenshot shows the Nuvoton website interface. At the top, there is a navigation bar with 'Products', 'Applications', 'Support', 'Foundry Service', 'Buy', 'myNuvoton', and 'About Nuvoton'. The 'Support' menu is expanded, showing sub-items: 'Learning', 'Product Related Information', 'Tool & Software', 'Reference Design', and 'FAQ'. A yellow oval highlights the 'Support' menu item with the text '2-1. Move to "Support"'. Another yellow oval highlights the 'Tool & Software' sub-menu item with the text '2-2. Click here to enter Tool & Software'. Below the navigation bar, there is a product matrix for ARM Cortex™-M0 MCUs, showing various series like AU9110, M051, Nano100, Nano110, Nano120, NUC100, NUC120, NUC122, NUC123, NUC130, NUC140, NUC220, NUC230, NUC240, and AU9120\*. The matrix is organized by flash size (64K, 32K, 16K) and application area (Industrial Control, Low Power, USB Application, Automotive Application, Audio Application). A 'Mini51' is also listed under Industrial Control. A '\* Developing' label is present at the bottom right of the matrix. On the right side of the page, there are sections for 'Online Support' (Online Training, Forum, FAQ), 'Featured Products' (M0516LDE, MINI54FDE, NANO130KE3BN), 'Featured Videos' (M0 Introduction(06:35)), and 'Featured Applications'.



Register | Login | Language

Search

Parametric Search

News | Events | CSR | Human Resources | Investors | Contact Us | Nuvoton Partner

Products | Applications | Support | Foundry Service | Buy | myNuvoton | About Nuvoton

Home > Support > Tool & Software >

**Development Tool Hardware**

- Learning
- Product Related Information
- Tool & Software
- Development Tool Hardware
- Development Kit
- Learning Board
- Programmer
- Software**
- Third Party Tool
- Reference Design
- FAQ
- Sales Support
- Technical Support
- Forum

Click here to enter Software download page

---

**Step3**

---

**Step4**

**Programmer Software Tools Package**

File name	Description	Version	Date
<a href="#">ICP Programming Tool V1.25.6287.zip</a> <a href="#">Revision History</a>	NuMicro ICP tool & user manual	V1.25.6287	2014-01-16
<a href="#">ISP Programming Tool V1.44.zip</a> <a href="#">Revision History</a>	NuMicro ISP Programming Tool & user manual	V1.44	2014-01-20
<a href="#">NuGang Programmer V6.21.zip</a> <a href="#">Revision History</a>	NuGang Programmer Software & user manual	V6.21	2014-01-24

**Nu-Link Driver**

File name	Description	Version	Date
<a href="#">Nu-Link Driver for Keil RVMDK V1.25.6287.zip</a> <a href="#">Revision History</a>	This driver is to support Nu-Link to work under Keil RVMDK Development Environment for all NuMicro Family Devices.	V1.25.6287	2014-01-16
<a href="#">Nu-Link Driver for IAR EWARM V1.25.6287.zip</a> <a href="#">Revision History</a>	This driver is to support Nu-Link to work under IAR EWARM Development Environment for all NuMicro Family Devices.	V1.25.6287	2014-01-16

User Feedback ↑ TOP

---

**Step5**

Download the NuMicro® IAR EWARM driver.

NU TINNY-SDK-MINI55 USER MANUAL

June 28, 2017

Page 25 of 29

Rev 1.00

### 6.3 Downloading NuMicro® Mini55 Series BSP Software Library

**Step 1** Visit the Nuvoton NuMicro® website: <http://www.nuvoton.com/NuMicro>.

**Step 2**

The screenshot shows the Nuvoton website interface. At the top, there is a navigation bar with links for Products, Applications, Support, Foundry Service, Buy, myNuvoton, and About Nuvoton. The 'Support' link is highlighted with a red dashed box and a yellow oval containing the text '2-1. Move to "Support"'. A dropdown menu is open under 'Support', with 'Tool & Software' highlighted by a red dashed box and a yellow oval containing the text '2-2. Click here to enter Tool & Software'. The main content area features a product matrix for various NuMicro MCUs, including Mini51, M051, Nano100, Nano110, Nano102, Nano112, NUC100, NUC120, NUC122, NUC123, NUC220, NUC230, NUC240, NUC140, NUC130, AU9110, and AU9120\*. The matrix is organized by memory size (64K, 32K, 16K) and application type (Industrial Control, Low Power, USB Application, Automotive Application, Audio Application). A 'Featured Products' section on the right lists M0516LDE, MINI54FDE, and NANO130KE3BN. A 'Featured Videos' section lists 'M0 Introduction(06:35)'. A 'Featured Applications' section is also present.

<b>Step 3</b>	 <p>The screenshot shows the NuvoTon website's 'Support &gt; Tool &amp; Software' page. The left navigation menu includes 'Development Tool Hardware', 'Software' (highlighted with a red dashed box), 'Third Party Tool', 'Reference Design', 'FAQ', 'Sales Support', 'Technical Support', and 'Forum'. A yellow callout bubble with the text 'Click here to enter Software download page' points to the 'Software' link. The main content area features three columns: 'Development', 'Mass Production', and 'Upgrade'. The 'Development' column includes 'Evaluation Board', 'Customer Target Board', and 'NuTiny Board'. The 'Mass Production' column includes 'On-Line In Circuit Programming', 'Off-Line In Circuit Programming', and 'IC Programming'. The 'Upgrade' column includes 'In System Programming'. A 'NuMicro M4 MCU NUC472 with Ethernet MAC' product image is visible on the right side of the page.</p>
<b>Step 4</b>	Download the NuMicro® Mini55 Series CMSIS BSP.

## 7 REVISION HISTORY

Date	Revision	Description
2017.06.28	1.00	1. Preliminary version.

### Important Notice

Nuvoton Products are neither intended nor warranted for usage in systems or equipment, any malfunction or failure of which may cause loss of human life, bodily injury or severe property damage. Such applications are deemed, "Insecure Usage".

Insecure usage includes, but is not limited to: equipment for surgical implementation, atomic energy control instruments, airplane or spaceship instruments, the control or operation of dynamic, brake or safety systems designed for vehicular use, traffic signal instruments, all types of safety devices, and other applications intended to support or sustain life.

All Insecure Usage shall be made at customer's risk, and in the event that third parties lay claims to Nuvoton as a result of customer's Insecure Usage, customer shall indemnify the damages and liabilities thus incurred by Nuvoton.

---

*Please note that all data and specifications are subject to change without notice.  
All the trademarks of products and companies mentioned in this datasheet belong to their respective owners.*