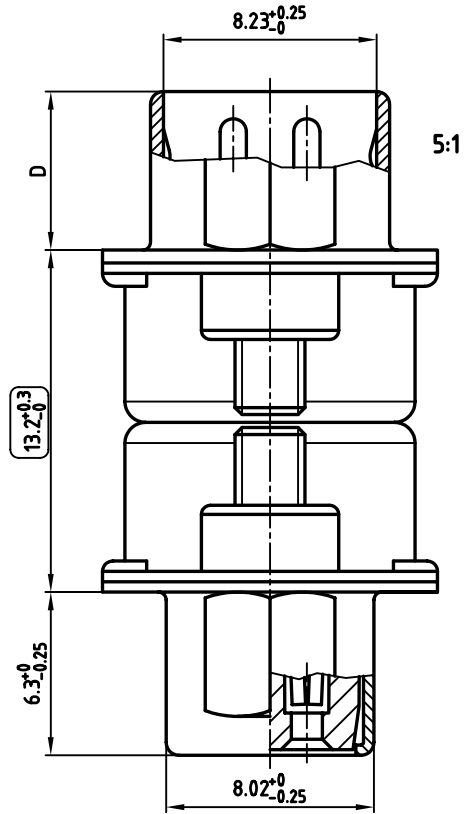
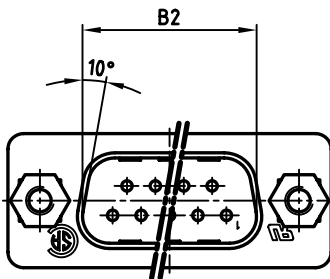
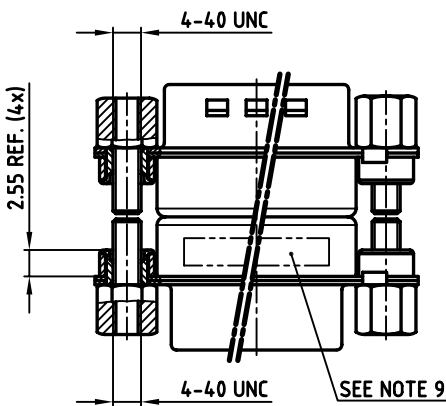
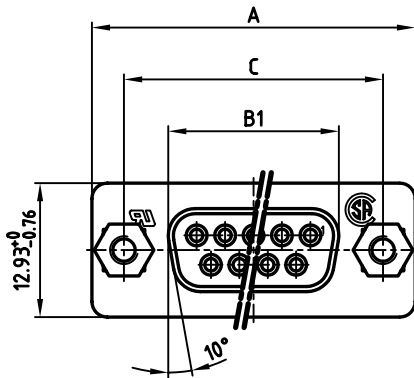


used for: FILTER ADAPTER



NOTES:

1. METALSHELLS: STEEL; min. 320µ" TIN
2. INSULATORS: PBT GF UL 94 V-0, BLACK
3. CONTACTS: COPPER ALLOY
PLATING: 8µ" HARD GOLD OVER min. 50µ" NICKEL
4. THREADED INSERT: COPPER ALLOY; min. 200µ" TIN over 80µ" NICKEL
5. COLLAR: COPPER ALLOY; min. 200µ" TIN over 80µ" NICKEL
6. CAPACITANCE: 1300pF ±20%
7. DIELECTRIC WITHSTANDING VOLTAGE: 424VDC
8. MAXIMUM TORQUE VALUE FOR THREAD: 6" LBS
9. CONNECTOR IS PART MARKED: PART-NO. CONEC ABC
10. = CHECK DIMENSION

POS.	A -0.76	B1 -0.25	B2 +0.25	C	D -0.3	Part-No.
9	31.19	16.46	16.79	25.00 +0.12 -0.13	6.12	243A13560X
15	39.52	24.79	25.12	33.30 +0.15 -0.1	6.12	243A13570X
25	53.42	38.50	38.84	47.04 ±0.13	5.99	243A13580X
37	69.70	55.96	55.30	63.50 ±0.13	5.99	243A13590X

APPROVAL # FREIGABE # DEBLOCAGE # AUTORIZACION # APPROVAL

CUSTOMER APPROVAL DATE:

NAME: TITLE:

COMPANY NAME:

APPROVAL # FREIGABE # DEBLOCAGE # AUTORIZACION # APPROVAL

THIS DRAWING MAY NOT BE COPIED OR REPRODUCED IN ANY WAY, AND MAY NOT BE PASSED ON TO A THIRD PARTY, WITHOUT WRITTEN PERMISSION. OWNERSHIP AND COPYRIGHT OF CONEC GmbH DO NOT ALTER CAD DRAWING BY HAND

rev.	description	date	name

tolerance

2005 date name

drawn 12.10. Lehmenkühler

appd. 12.10. Mickenbecker

norm DIN 41652

d-old

CONEC

scale: 2:1 (5:1)

material: SEE NOTES

title: FULL METAL LC-FILTER ADAPTER
9-37pos.
with threaded insert and hex bolts

dwg no: AutoCAD 2004 DIN-A
24K1A706 3
sh: 1/1

part no: SEE TABLE