

# Customer Information Sheet

DRAWING No.: M80-40000000-XX-XXX-00-000

SHEET 5 OF 8

IF IN DOUBT - ASK

©

NOT TO SCALE

THIRD ANGLE PROJECTION

ALL DIMENSIONS IN mm

## SPECIFICATIONS:

**MATERIAL:**  
 MOULDING: GLASS FILLED PPS, UL94V-0, BLACK  
 COAX CONTACT:  
 BODY, SLEEVE, INNER CONTACT, END PLUG = COPPER ALLOY  
 LATCHING COLLAR = BERYLLIUM COPPER  
 INSULATOR = PTFE

**FINISH:**  
 COAX CONTACT:  
 BODY, SLEEVE, INNER CONTACT, END PLUG = GOLD  
 LATCHING COLLAR = NICKEL

**ELECTRICAL:**  
 WORKING VOLTAGE = 800V AC/DC  
 VOLTAGE PROOF = 1200V AC/DC  
 INSULATION RESISTANCE = 100MΩ MIN  
 COAX CONTACT:  
 FREQUENCY RANGE = 6GHz  
 IMPEDANCE = 50Ω  
 V.S.W.R = 1.05 + (0.04 x FREQUENCY) GHz MAX  
 CONTACT RESISTANCE = 6mΩ MAX

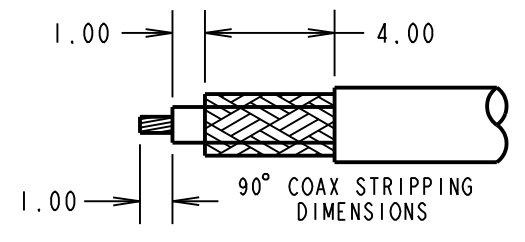
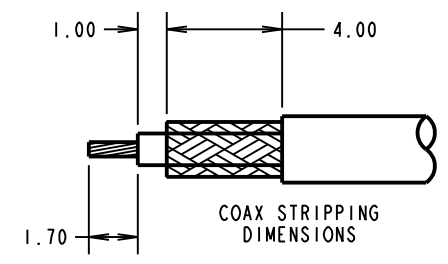
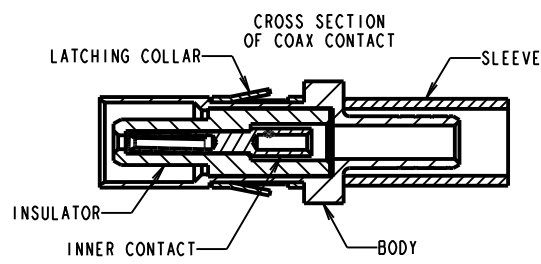
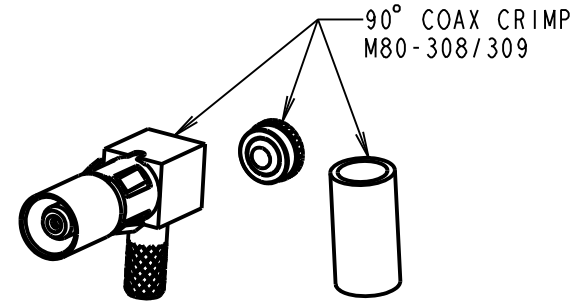
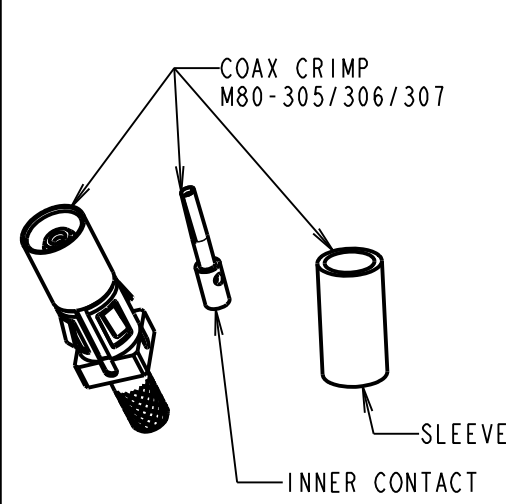
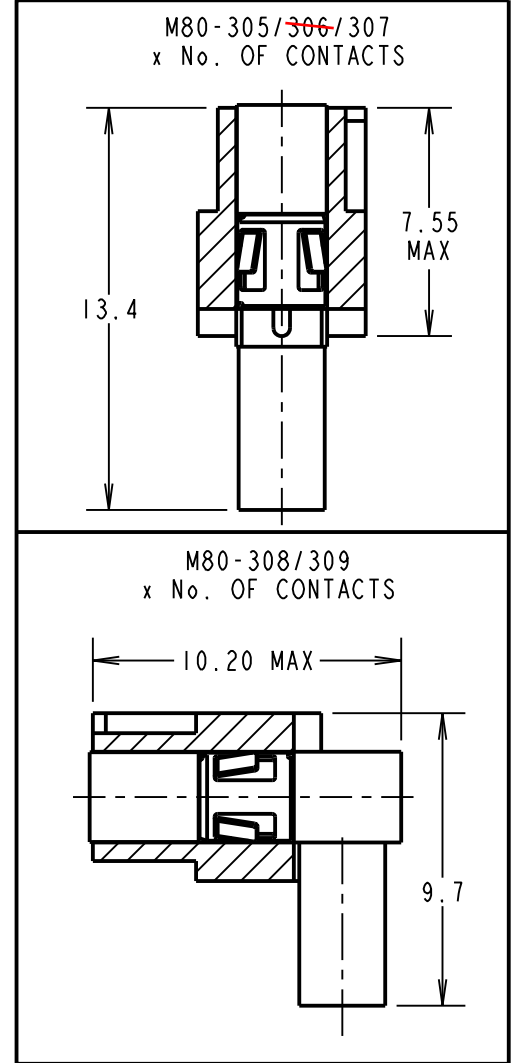
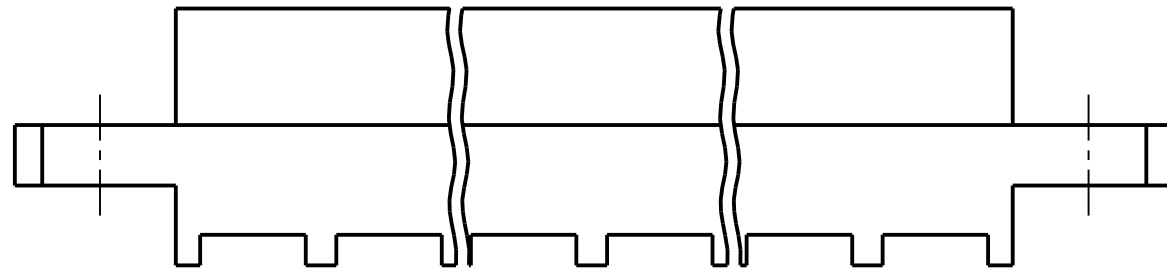
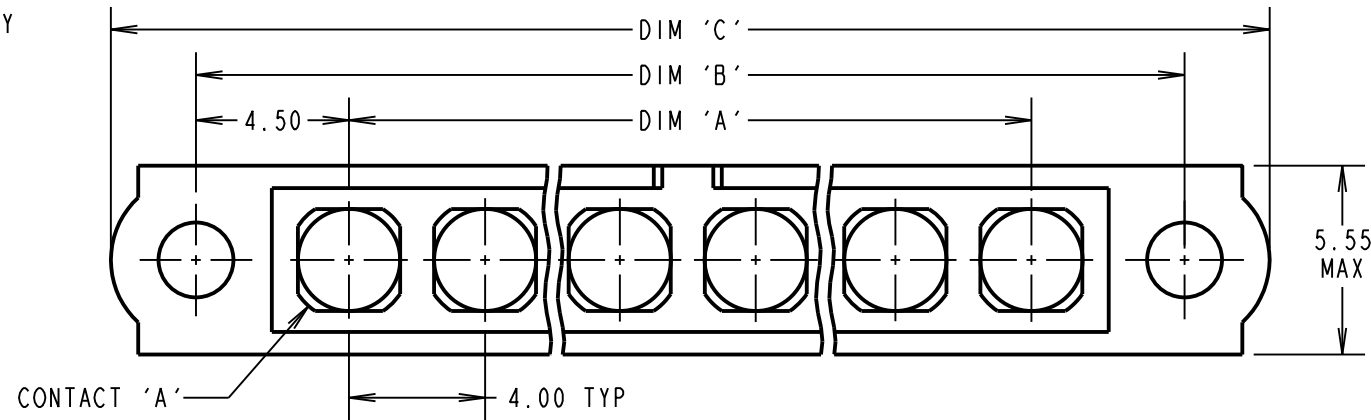
INSULATION RESISTANCE = 10<sup>6</sup>MΩ @ 250V AC  
 OPERATING VOLTAGE = 180V AC @ 500mA  
 MAXIMUM VOLTAGE = 1000V AC

**MECHANICAL:**  
 DURABILITY = 500 OPERATIONS  
 COAX CONTACT:  
 INSERTION FORCE = 8N MAX  
 WITHDRAWAL FORCE = 0.5N MIN

**ENVIRONMENTAL:**  
 TEMPERATURE RANGE = -55°C TO +125°C

**PACKING:**  
 BAG  
 FOR COMPLETE SPECIFICATION SEE COMPONENT SPECIFICATION C005XX (LATEST ISSUE)

## COAX CRIMP CONTACTS ONLY



- CRIMP/SOLDER NOTES:**
- CONNECTORS ARE SUPPLIED WITH CONTACTS LOOSE.
  - COAX CONTACT IS SUPPLIED AS A KIT OF PARTS: BODY, MAIN INSULATOR, INNER CONTACT AND LATCHING COLLAR ARE PRE-ASSEMBLED AND SLEEVE AND INSULATED END PLUG ASSEMBLY ARE SEPARATE.
  - FOR EXTRA COAX CONTACTS, USE PART NUMBERS M80-305/~~306~~/307/308/309.
  - COAX CONTACT EXTRACTION TOOL = Z80-290.
  - RECOMMENDED HAND CRIMP TOOL FOR INNER COAX CONTACT = Z80-292 WITH POSITIONER Z80-291. RECOMMENDED HAND CRIMP TOOL AND DIE SET FOR SLEEVE = Z80-293.
  - INSTRUCTION SHEETS ARE AVAILABLE.

ORDER CODE: (COAX CRIMP CONTACTS ONLY)  
**M80-40000000-XX-XXX-00-000**

TOTAL No. OF CONTACTS \_\_\_\_\_  
 02 TO 12

SPECIAL CONTACTS  
 305 = COAX CONTACT 2.00mm CRIMP M80-305  
~~306 = COAX CONTACT 2.40mm CRIMP M80-306~~  
 307 = COAX CONTACT 2.70mm CRIMP M80-307  
 308 = COAX CONTACT 2.00mm HORIZ' CRIMP M80-308  
 309 = COAX CONTACT 2.70mm HORIZ' CRIMP M80-309

DIMENSION	CALCULATION
DIM 'A'	4 x No. OF CONTACTS - 4.00
DIM 'B'	4 x No. OF CONTACTS + 5.00
DIM 'C'	4 x No. OF CONTACTS + 10.0

EXAMPLE 1: CONNECTOR WITH 08 COAX CONTACTS,  
 M80-40000000-08-305-00-000  
 DIM 'A' = 28.00mm, DIM 'B' = 37.00mm, DIM 'C' = 42.0mm

 www.harwin.com technical@harwin.com	THIS DRAWING AND ANY INFORMATION OR DESCRIPTIVE MATTER SET OUT HEREON ARE CONFIDENTIAL AND COPYRIGHT PROPERTY OF THE HARWIN GROUP AND MUST NOT BE DISCLOSED, LOANED, COPIED OR USED FOR MANUFACTURING, TENDERING OR FOR ANY OTHER PURPOSE WITHOUT THEIR WRITTEN PERMISSION.	TOLERANCES	MATERIAL:	TITLE:
		X. = ±1mm X.X = ±0.50mm X.XX = ±0.10mm X.XXX = ±0.01mm ANGLES = ±5° UNLESS STATED	SEE ABOVE	DATAMATE MIX-TEK FEMALE ASSEMBLY
			FINISH: SEE ABOVE	DRAWING NUMBER:
			S/AREA: mm <sup>2</sup>	<b>M80-40000000-XX-XXX-00-000</b>

MGP	6	10.01.18	21020
NAME	ISS.	DATE	C/NOTE
APPROVED: MGP			
CHECKED: SB			
DRAWN: C.PENROSE			
CUSTOMER REF.:			
ASSEMBLY DRG:			

# Customer Information Sheet

DRAWING No.: M80-40000000-XX-XXX-00-000

SHEET 6 OF 8

IF IN DOUBT - ASK

©

NOT TO SCALE

THIRD ANGLE PROJECTION

ALL DIMENSIONS IN mm

## SPECIFICATIONS:

**MATERIAL:**  
 MOULDING: GLASS FILLED PPS, UL94V-0, BLACK  
**POWER CONTACT:**  
 BODY, SLEEVE, INNER CONTACT, END PLUG = COPPER ALLOY  
 LATCHING COLLAR = BERYLLIUM COPPER  
 INSULATOR = PTFE

**FINISH:**  
**POWER CONTACT:**  
 BODY, SLEEVE, INNER CONTACT, END PLUG = GOLD  
 LATCHING COLLAR = NICKEL

**ELECTRICAL:**  
 WORKING VOLTAGE = 800V AC/DC  
 VOLTAGE PROOF = 1200V AC/DC  
 INSULATION RESISTANCE = 100MΩ MIN

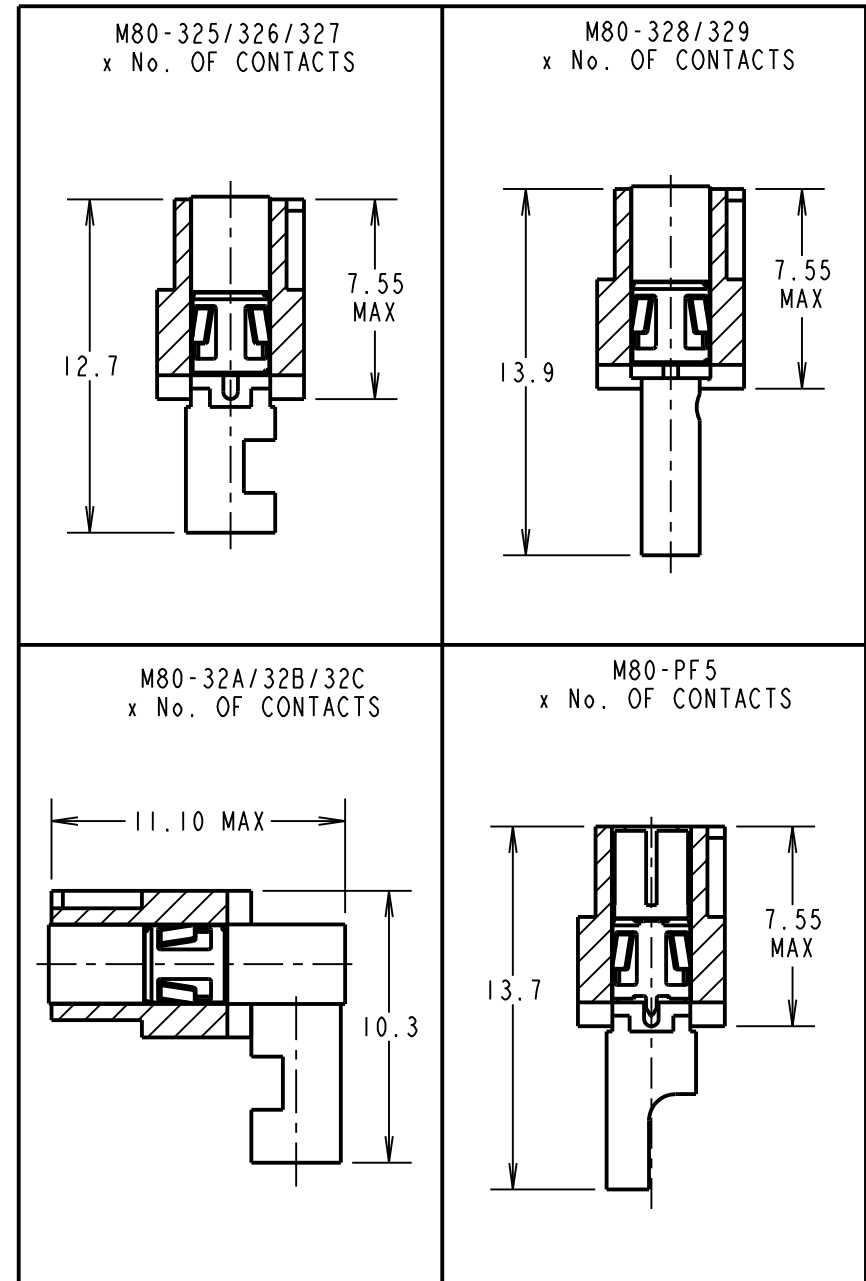
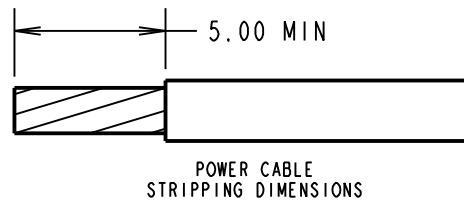
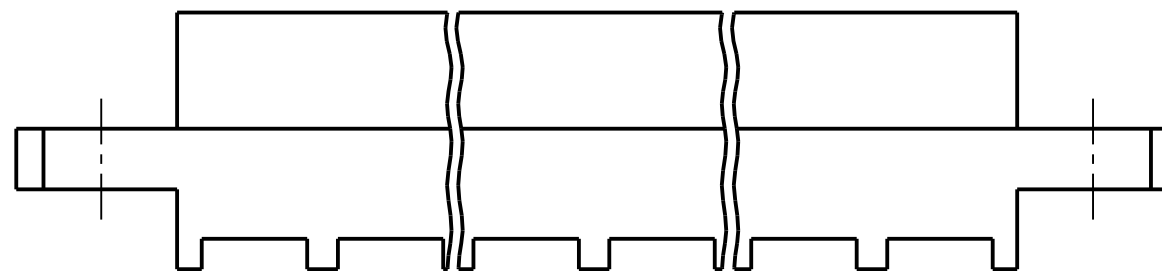
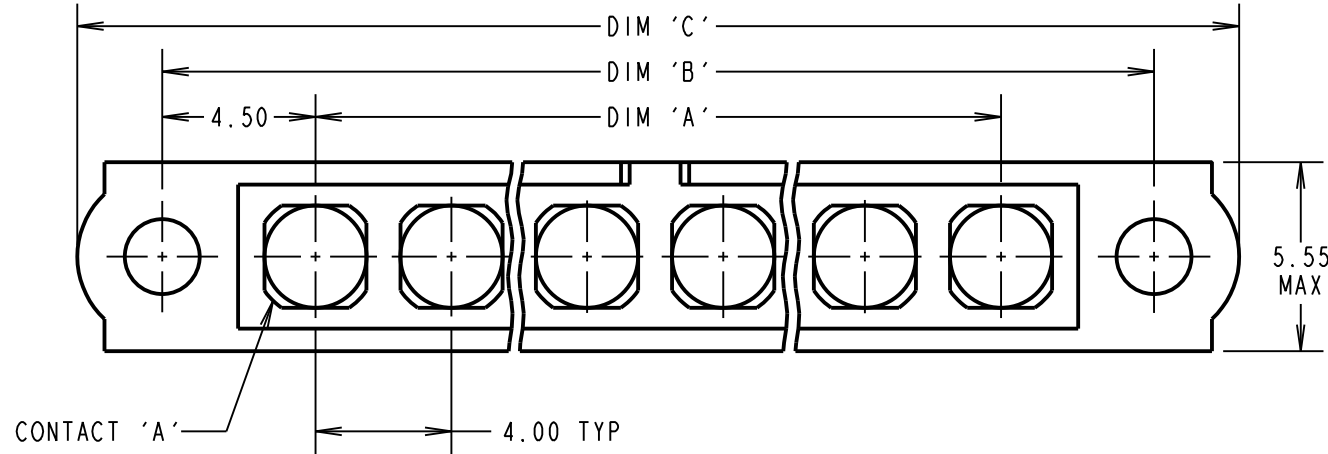
**POWER CONTACT:**  
 CONTACT RESISTANCE = 6mΩ MAX  
 CURRENT RATING = M80-325 = 20A MAX WITH 12AWG  
 M80-326 = 15A MAX WITH 14AWG  
 M80-327 = 10A MAX WITH 16AWG  
 M80-328 = 8A MAX WITH 18AWG  
 M80-329 = 5A MAX WITH 20AWG  
 M80-32A = 20A MAX WITH 12AWG  
 M80-32B = 15A MAX WITH 14AWG  
 M80-32C = 10A MAX WITH 16AWG  
 M80-PF5 = 40A MAX WITH 10AWG  
 CONTACT AS SPECIFIED

**MECHANICAL:**  
 DURABILITY = 500 OPERATIONS  
**POWER CONTACT:**  
 INSERTION FORCE:  
 M80-325/326/327/328/329/  
 32A/32B/32C = 8N MAX  
 M80-PF5 = 15N MAX  
 WITHDRAWAL FORCE = 0.5N MIN

**ENVIRONMENTAL:**  
 TEMPERATURE RANGE:  
 M80-325/326/327/328/329/  
 32A/32B/32C = -55°C TO +125°C  
 M80-PF5 = -55°C TO +150°C

**PACKING:**  
 BAG  
 FOR COMPLETE SPECIFICATION SEE COMPONENT  
 SPECIFICATION C005XX (LATEST ISSUE)

## POWER CRIMP & SOLDER CONTACTS ONLY



DIMENSION	CALCULATION
DIM 'A'	4 x No. OF CONTACTS - 4.00
DIM 'B'	4 x No. OF CONTACTS + 5.00
DIM 'C'	4 x No. OF CONTACTS + 10.0

EXAMPLE 2: CONNECTOR WITH 10 POWER CONTACTS,  
 M80-50000000-10-325-00-000  
 DIM 'A' = 36.00mm, DIM 'B' = 45.00mm, DIM 'C' = 50.0mm

- CRIMP/SOLDER NOTES:**
- CONNECTORS ARE SUPPLIED WITH CONTACTS LOOSE.
  - FOR EXTRA POWER CONTACTS USE PART NUMBERS M80-325/326/327/328/329/32A/32B/32C/PM5.
  - POWER CONTACT EXTRACTION TOOL = Z80-290.
  - RECOMMENDED HAND CRIMP TOOL FOR CONTACTS 328/329 = Z80-294 AND POSITIONER Z80-295.
  - INSTRUCTION SHEETS ARE AVAILABLE.

ORDER CODE: (POWER CRIMP/SOLDER CONTACTS ONLY)  
**M80-40000000-XX-XXX-00-000**

TOTAL No. OF CONTACTS \_\_\_\_\_  
 02 TO 12

SPECIAL CONTACTS \_\_\_\_\_  
 325 = POWER CONTACT 12AWG SOLDER M80-325  
 326 = POWER CONTACT 14AWG SOLDER M80-326  
 327 = POWER CONTACT 16AWG SOLDER M80-327  
 328 = POWER CONTACT 18AWG SOLDER/CRIMP M80-328  
 329 = POWER CONTACT 20AWG SOLDER/CRIMP M80-329  
 32A = POWER CONTACT 12AWG HORIZ' SOLDER M80-32A  
 32B = POWER CONTACT 14AWG HORIZ' SOLDER M80-32B  
 32C = POWER CONTACT 16AWG HORIZ' SOLDER M80-32C  
 PF5 = POWER CONTACT 10AWG SOLDER M80-PF5

MGP	6	10.01.18	21020
NAME	ISS.	DATE	C/NOTE
APPROVED: MGP			
CHECKED: SB			
DRAWN: C.PENROSE			
CUSTOMER REF.:			
ASSEMBLY DRG:			

 www.harwin.com technical@harwin.com	THIS DRAWING AND ANY INFORMATION OR DESCRIPTIVE MATTER SET OUT HEREON ARE CONFIDENTIAL AND COPYRIGHT PROPERTY OF THE HARWIN GROUP AND MUST NOT BE DISCLOSED, LOANED, COPIED OR USED FOR MANUFACTURING, TENDERING OR FOR ANY OTHER PURPOSE WITHOUT THEIR WRITTEN PERMISSION.	TOLERANCES X. = ±1mm X.X = ±0.50mm X.XX = ±0.10mm X.XXX = ±0.01mm ANGLES = ±5° UNLESS STATED	MATERIAL: SEE ABOVE	TITLE: DATAMATE MIX-TEK FEMALE ASSEMBLY
			FINISH: SEE ABOVE	DRAWING NUMBER: <b>M80-40000000-XX-XXX-00-000</b>

# Customer Information Sheet

DRAWING No.: M80-40000000-XX-XXX-00-000

SHEET 7 OF 8

IF IN DOUBT - ASK

©

NOT TO SCALE

THIRD ANGLE PROJECTION

ALL DIMENSIONS IN mm

## SPECIFICATIONS:

**MATERIAL:**  
 MOULDING: GLASS FILLED PPS, UL94V-0, BLACK  
 POWER CONTACT: COPPER ALLOY  
 COAX CONTACT:

BODY = COPPER ALLOY  
 INNER CONTACT = COPPER ALLOY  
 INSULATOR = PTFE

**FINISH:**  
 POWER CONTACT: GOLD  
 COAX CONTACT: BODY, INNER CONTACT = GOLD

**ELECTRICAL:**  
 WORKING VOLTAGE = 800V AC/DC  
 VOLTAGE PROOF = 1200V AC/DC  
 INSULATION RESISTANCE = 100MΩ MIN

**POWER CONTACT:**  
 CONTACT RESISTANCE = 6mΩ MAX  
**CURRENT RATING:**  
 M80-321/322 = 20A MAX  
 M80-PF1/PF2 = 40A MAX

**COAX CONTACT:**  
 FREQUENCY RANGE = 6GHz  
 IMPEDANCE = 50Ω  
 V.S.W.R = 1.05 + (0.04 x FREQUENCY) GHz MAX  
 CONTACT RESISTANCE = 6mΩ MAX

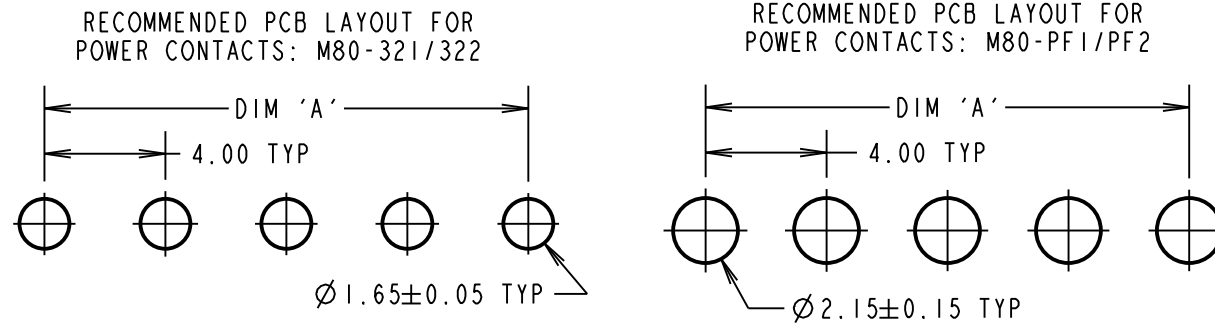
INSULATION RESISTANCE = 10<sup>6</sup>MΩ @ 250V AC  
 OPERATING VOLTAGE = 180V AC @ 500mA  
 MAXIMUM VOLTAGE = 1000V AC

**MECHANICAL:**  
 DURABILITY = 500 OPERATIONS  
**POWER CONTACT:**  
 INSERTION FORCE:  
 M80-321/322 = 8N MAX  
 M80-PF1/PF2 = 15N MAX  
 WITHDRAWAL FORCE = 0.5N MIN

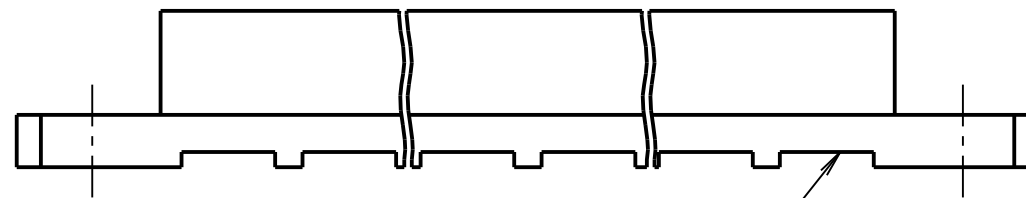
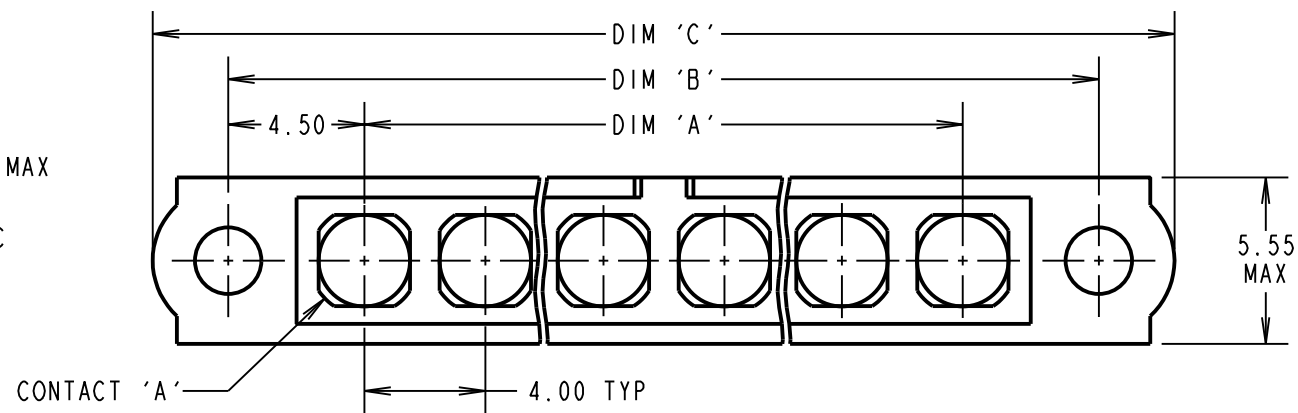
**COAX CONTACT:**  
 INSERTION FORCE = 8N MAX  
 WITHDRAWAL FORCE = 0.5N MIN

**ENVIRONMENTAL:**  
 TEMPERATURE RANGE:  
 M80-301/302/321/322 = -55°C TO +125°C  
 M80-PF1/PF2 = -55°C TO +150°C

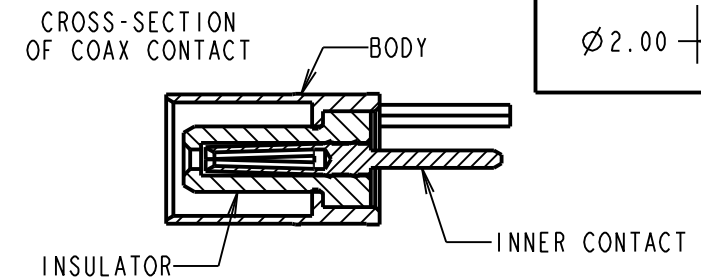
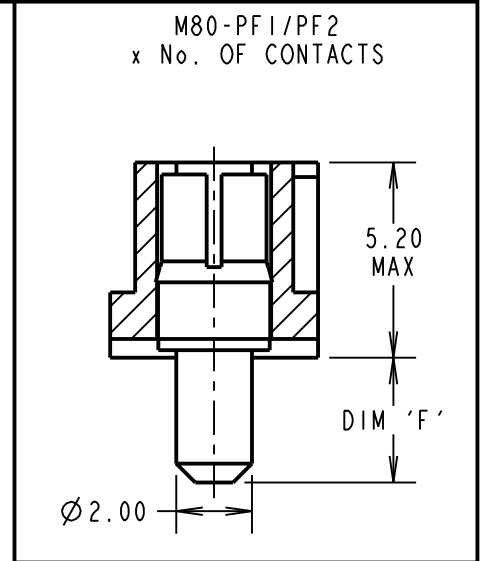
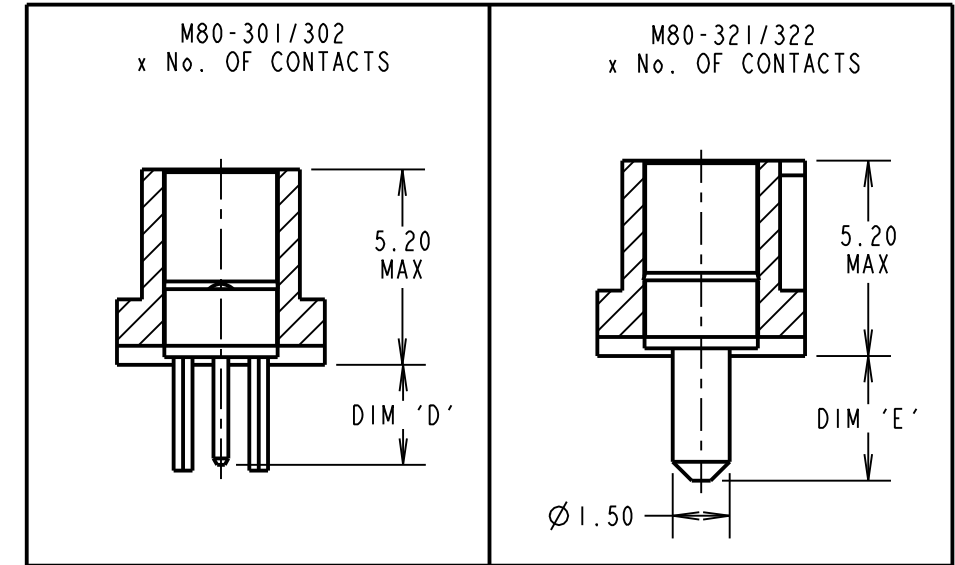
**PACKING:**  
 TUBE  
 FOR COMPLETE SPECIFICATION SEE COMPONENT SPECIFICATION C005XX (LATEST ISSUE)



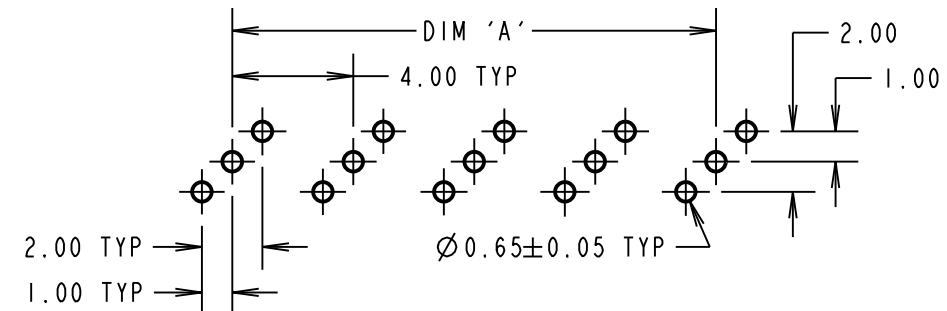
## VERTICAL PC TAIL CONTACTS ONLY



SPECIAL CONTACTS HIDDEN FOR ILLUSTRATION ONLY  
 SEE ORDER CODE FOR PART No. TO BE ASSEMBLED



## RECOMMENDED PCB LAYOUT FOR COAX CONTACTS: M80-301/302



DIMENSION	CALCULATION
DIM 'A'	4 x No. OF CONTACTS - 4.00
DIM 'B'	4 x No. OF CONTACTS + 5.00
DIM 'C'	4 x No. OF CONTACTS + 10.0
DIM 'D'	M80-301 = 3.0mm, M80-302 = 4.5mm
DIM 'E'	M80-321 = 3.5mm, M80-322 = 5.0mm
DIM 'F'	M80-PF1 = 3.5mm, M80-PF2 = 5.0mm

EXAMPLE 1: CONNECTOR WITH 08 COAX CONTACTS,  
 M80-40000000-08-301-00-000  
 DIM 'A' = 28.00mm, DIM 'B' = 37.00mm, DIM 'C' = 42.0mm  
 DIM 'D' = 3.0mm

EXAMPLE 2: CONNECTOR WITH 10 POWER CONTACTS,  
 M80-40000000-10-PF1-00-000  
 DIM 'A' = 36.00mm, DIM 'B' = 45.00mm, DIM 'C' = 50.0mm  
 DIM 'F' = 3.5mm

ORDER CODE: (PC TAIL CONTACTS ONLY)  
**M80-40000000-XX-XXX-00-000**

TOTAL No. OF CONTACTS  
 02 TO 12

**SPECIAL CONTACTS**  
 301 = COAX CONTACT 3.0mm PC TAIL M80-301  
 302 = COAX CONTACT 4.5mm PC TAIL M80-302  
 321 = 20A POWER CONTACT 3.5mm VERT' PC TAIL M80-321  
 322 = 20A POWER CONTACT 5.0mm VERT' PC TAIL M80-322  
 PF1 = 40A POWER CONTACT 3.5mm VERT' PC TAIL M80-PF1  
 PF2 = 40A POWER CONTACT 5.0mm VERT' PC TAIL M80-PF2

# HARWIN

www.harwin.com  
 technical@harwin.com

THIS DRAWING AND ANY INFORMATION OR DESCRIPTIVE MATTER SET OUT HEREON ARE CONFIDENTIAL AND COPYRIGHT PROPERTY OF THE HARWIN GROUP AND MUST NOT BE DISCLOSED, LOANED, COPIED OR USED FOR MANUFACTURING, TENDERING OR FOR ANY OTHER PURPOSE WITHOUT THEIR WRITTEN PERMISSION.

**TOLERANCES**  
 X. = ±1mm  
 X.X = ±0.50mm  
 X.XX = ±0.10mm  
 X.XXX = ±0.01mm  
**ANGLES = ±5°**  
 UNLESS STATED

**MATERIAL:**  
 SEE ABOVE  
**FINISH:** SEE ABOVE  
**S/AREA:** mm<sup>2</sup>

**TITLE:**  
 DATAMATE MIX-TEK  
 FEMALE ASSEMBLY

**DRAWING NUMBER:**  
**M80-40000000-XX-XXX-00-000**

MGP	6	10.01.18	21020
NAME	ISS.	DATE	C/NOTE
APPROVED: MGP			
CHECKED: SB			
DRAWN: C.PENROSE			
CUSTOMER REF.:			
ASSEMBLY DRG:			

SHT  
 7 OF 8

# Customer Information Sheet

DRAWING No.: M80-40000000-XX-XXX-00-000

SHEET 8 OF 8

IF IN DOUBT - ASK

©

NOT TO SCALE

THIRD ANGLE PROJECTION

ALL DIMENSIONS IN mm

**SPECIFICATIONS:**

**MATERIAL:**  
 MOULDING: GLASS FILLED PPS, UL94V-0, BLACK  
 POWER CONTACT: COPPER ALLOY  
 COAX CONTACT:  
 BODY = COPPER ALLOY  
 INNER CONTACT = COPPER ALLOY  
 INSULATOR = PTFE

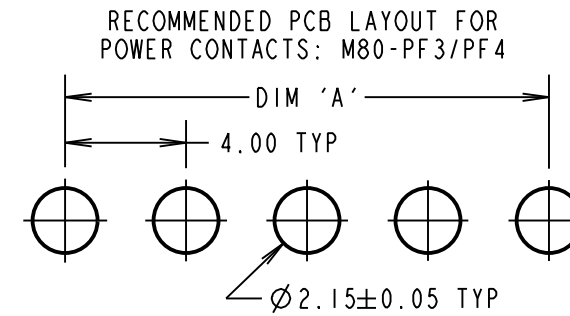
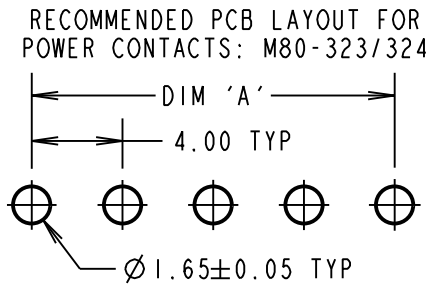
**FINISH:**  
 POWER CONTACT: GOLD  
 COAX CONTACT: BODY, INNER CONTACT = GOLD

**ELECTRICAL:**  
 WORKING VOLTAGE = 800V AC/DC  
 VOLTAGE PROOF = 1200V AC/DC  
 INSULATION RESISTANCE = 100MΩ MIN  
 POWER CONTACT:  
 CONTACT RESISTANCE = 6mΩ MAX  
 CURRENT RATING:  
 M80-323/324 = 20A MAX  
 M80-PF3/PF4 = 40A MAX

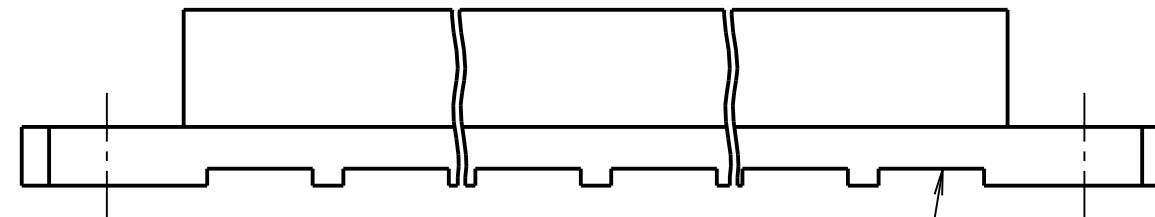
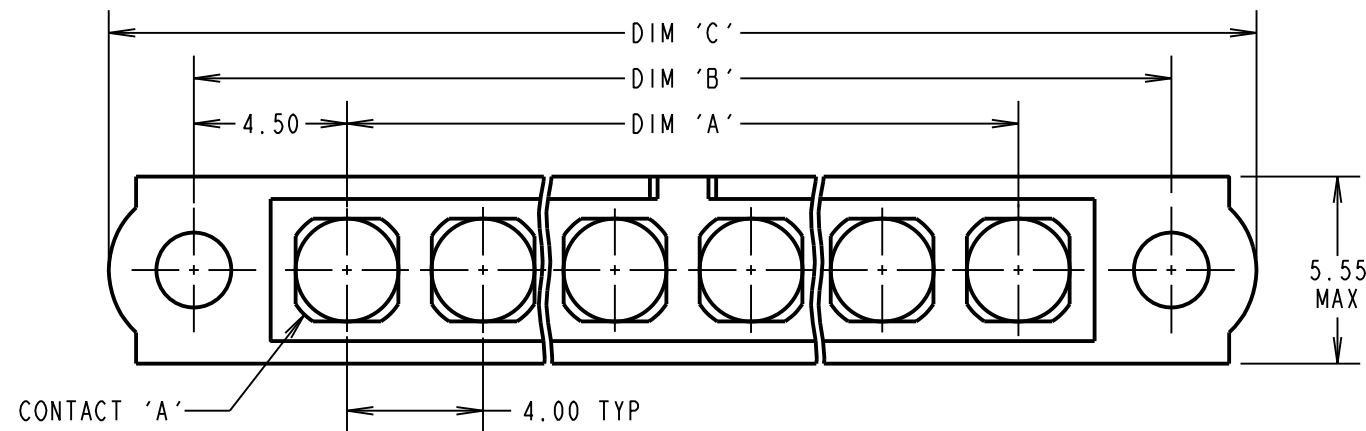
**MECHANICAL:**  
 DURABILITY = 500 OPERATIONS  
 POWER CONTACT:  
 INSERTION FORCE:  
 M80-323/324 = 8N MAX  
 M80-PF3/PF4 = 15N MAX  
 WITHDRAWAL FORCE = 0.5N MIN

**ENVIRONMENTAL:**  
 TEMPERATURE RANGE:  
 M80-323/324 = -55°C TO +125°C  
 M80-PF3/PF4 = -55°C TO +150°C

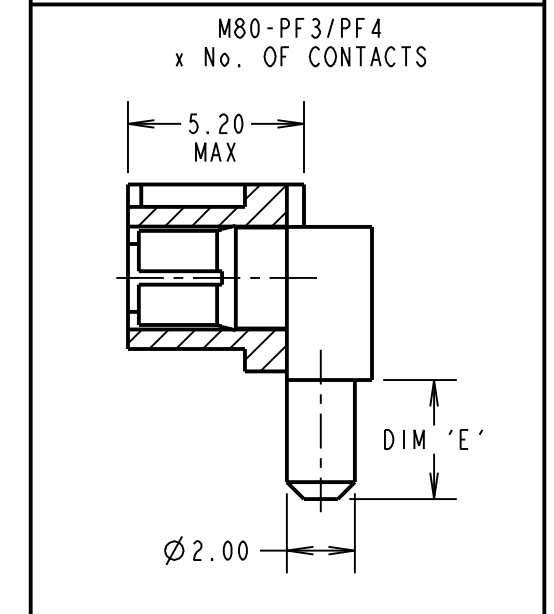
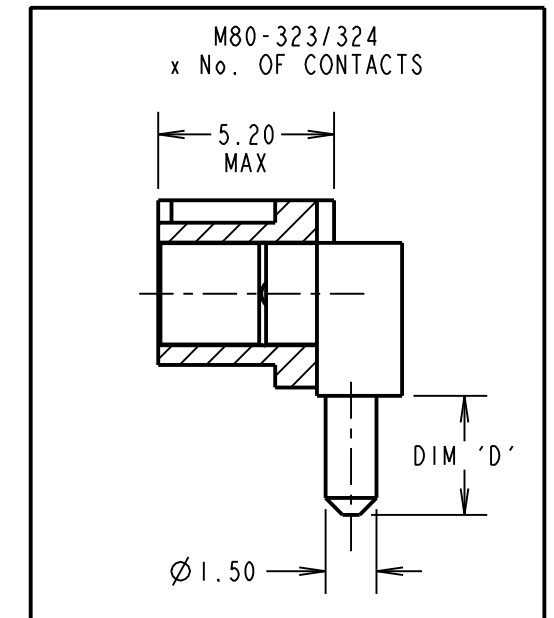
**PACKING:**  
 TUBE  
 FOR COMPLETE SPECIFICATION SEE COMPONENT SPECIFICATION C005XX (LATEST ISSUE)



## HORIZONTAL PC TAIL & SMT CONTACTS ONLY



SPECIAL CONTACTS HIDDEN FOR ILLUSTRATION ONLY  
 SEE ORDER CODE FOR PART No. TO BE ASSEMBLED



ORDER CODE: (PC TAIL CONTACTS ONLY)

**M80-40000000-XX-XXX-00-000**

TOTAL No. OF CONTACTS  
02 TO 12

SPECIAL CONTACTS  
 323 = 20A POWER CONTACT 3.5mm HORZ' PC TAIL M80-323  
 324 = 20A POWER CONTACT 5.0mm HORZ' PC TAIL M80-324  
 PF3 = 40A POWER CONTACT 3.5mm HORZ' PC TAIL M80-PF3  
 PF4 = 40A POWER CONTACT 5.0mm HORZ' PC TAIL M80-PF4

DIMENSION	CALCULATION
DIM 'A'	4 x No. OF CONTACTS - 4.00
DIM 'B'	4 x No. OF CONTACTS + 5.00
DIM 'C'	4 x No. OF CONTACTS + 10.0
DIM 'D'	M80-323 = 3.5mm, M80-324 = 5.0mm
DIM 'E'	M80-PF3 = 3.5mm, M80-PF4 = 5.0mm

EXAMPLE 2: CONNECTOR WITH 10 POWER CONTACTS,  
 M80-40000000-10-323-00-000  
 DIM 'A' = 36.00mm, DIM 'B' = 45.00mm, DIM 'C' = 50.0mm  
 DIM 'E' = 3.5mm

MGP	6	10.01.18	21020
NAME	ISS.	DATE	C/NOTE
APPROVED: MGP			
CHECKED: SB			
DRAWN: C.PENROSE			
CUSTOMER REF.:			
ASSEMBLY DRG:			

**HARWIN**

www.harwin.com  
 technical@harwin.com

THIS DRAWING AND ANY INFORMATION OR DESCRIPTIVE MATTER SET OUT HEREON ARE CONFIDENTIAL AND COPYRIGHT PROPERTY OF THE HARWIN GROUP AND MUST NOT BE DISCLOSED, LOANED, COPIED OR USED FOR MANUFACTURING, TENDERING OR FOR ANY OTHER PURPOSE WITHOUT THEIR WRITTEN PERMISSION.

TOLERANCES  
 X. = ±1mm  
 X.X = ±0.50mm  
 X.XX = ±0.10mm  
 X.XXX = ±0.01mm  
 ANGLES = ±5°  
 UNLESS STATED

MATERIAL:  
 SEE ABOVE  
 FINISH: SEE ABOVE  
 S/AREA: mm<sup>2</sup>

TITLE:  
 DATAMATE MIX-TEK  
 FEMALE ASSEMBLY  
 DRAWING NUMBER:  
**M80-40000000-XX-XXX-00-000**  
 SHT 8 OF 8