

MAXIM

270Mbps SFP LED Driver

MAX3967A

General Description

The MAX3967A is a programmable LED driver for fiber optic transmitters operating at data rates up to 270Mbps. The circuit contains a high-speed current driver with programmable temperature coefficient (tempco), adjustments for LED prebias voltage, and a disable feature. The circuit accepts PECL data inputs, and operates from a single +2.97V to +5.5V power supply.

The SFP LED driver can switch up to 100mA into typical high-speed light-emitting diodes. As temperature increases, the device's modulation current increases with a tempco that is programmable from 2500ppm/°C to 12,000ppm/°C. The modulation current is programmed with a single external resistor.

The MAX3967A's LED prebias voltage is programmable from 400mV to 925mV. The prebias circuit produces peaking current, which improves the LED switching speed.

Complementary current outputs help to maintain a constant supply current, reducing EMI and supply noise generated by the transmitter module. The MAX3967A is available in die form, or in a 4mm x 4mm, 24-pin thin QFN package.

Applications

Multimode LED Transmitters
Fast Ethernet/FDDI
155Mbps LAN ATM Transceivers
ESCON Receivers
SFP Transceivers

Typical Operating Circuits appear at end of data sheet.

Features

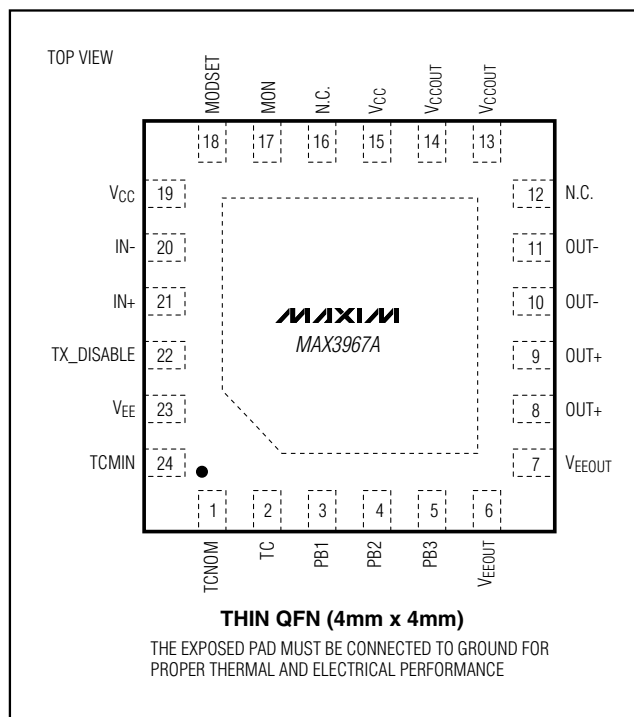
- ◆ TX_DISABLE for SFP Compatibility
- ◆ Single +2.97V to +5.5V Power Supply
- ◆ Adjustable Temperature Compensation
- ◆ Adjustable Modulation Current
- ◆ Complementary Output Reduces Supply Noise
- ◆ Programmable LED Prebias Voltage
- ◆ Available in 24-Pin Thin QFN or Die

Ordering Information

| PART | TEMP RANGE | PIN-PACKAGE |
|-------------|----------------|-------------|
| MAX3967AETG | -40°C to +85°C | 24 Thin QFN |
| MAX3967AE/D | -40°C to +85°C | Dice* |

*Dice are tested and guaranteed only at $T_A = +25^\circ\text{C}$.

Pin Configuration



270Mbps SFP LED Driver

ABSOLUTE MAXIMUM RATINGS

Supply Voltage at V_{CC} , V_{CCOUT}

(V_{EE} , $V_{EEOUT} = 0V$)-0.5V to +7V

Current into $OUT+$, $OUT-$ -40mA to +160mA

Differential Output Voltage ($OUT+$ to $OUT-$)-3.3V to +3.3V

Voltage at $PB1$, $PB2$, $PB3$,

$IN+$, $IN-$, $OUT+$, $OUT-$, $TX_DISABLE$-0.5V to ($V_{CC} + 0.5V$)

Voltage at $TCMIN$, $TCNOM$, TC , $MODSET$, MON -0.5V to +2V

Continuous Power Dissipation ($T_A = +85^\circ C$)

24-Lead Thin QFN (derate 20.8mW/C°

above +85°C).....1354mW

Operating Junction Temperature Range-40°C to +150°C

Die Attach Temperature+375°C

Storage Temperature Range-50°C to +150°C

Lead Temperature (soldering, 10s)+300°C

Stresses beyond those listed under "Absolute Maximum Ratings" may cause permanent damage to the device. These are stress ratings only, and functional operation of the device at these or any other conditions beyond those indicated in the operational sections of the specifications is not implied. Exposure to absolute maximum rating conditions for extended periods may affect device reliability.

DC ELECTRICAL CHARACTERISTICS

(Load as specified in Figure 1; $V_{CC} = +2.97V$ to +5.5V (at the V_{CC} pins); V_{EE} , $V_{EEOUT} = 0V$; $T_A = -40^\circ C$ to +85°C, unless otherwise noted. Temperature coefficients are referenced to $T_A = +25^\circ C$. Typical values are at $V_{CC} = +3.3V$, $T_A = +25^\circ C$, unless otherwise noted. Dice are tested at $T_A = +25^\circ C$ only.)

| PARAMETER | SYMBOL | CONDITIONS | MIN | TYP | MAX | UNITS | |
|---|---------------|---|-------------------------------------|-------|--------|------------|------|
| Data Input High Voltage | | Referenced to V_{CC} , DC-coupled input | -1.165 | | -0.880 | V | |
| Data Input Low Voltage | | Referenced to V_{CC} , DC-coupled input | -1.810 | | -1.475 | V | |
| Supply Current | I_{CC} | (Note 1) | | 30 | 39 | mA | |
| Input Current at $IN+$ or $IN-$ | | | -50 | | +50 | μA | |
| Modulation Current | | $R_{MODSET} = 698\Omega$ (Note 2) | $T_A = -40^\circ C$ | 109 | | mA | |
| | | | $T_A = +25^\circ C$ | 112 | 126 | | 140 |
| | | | $T_A = +85^\circ C$ | 126 | 140 | | 155 |
| | | $R_{MODSET} = 3.0k\Omega$ (Note 2) | $T_A = -40^\circ C$ | 15.3 | | | |
| | | | $T_A = +25^\circ C$ | 17.5 | 19.8 | | 25 |
| | | | $T_A = +85^\circ C$ | 21.9 | 24 | | 28.7 |
| | | $R_{MODSET} = 1.0k\Omega$ (Note 2) | $T_A = -40^\circ C$ | 65 | 74 | | 89 |
| | | | $T_A = +25^\circ C$ $V_{CC} = 3.3V$ | 79 | 86 | | 89 |
| | | | $T_A = +85^\circ C$ | 90 | 96 | | 110 |
| Prebias Voltage | | $PB1$, $PB2$, $PB3 = (open, open, open)$ | 0.368 | 0.400 | 0.451 | V | |
| | | $PB1$, $PB2$, $PB3 = (V_{EE}, V_{EE}, open)$ | 0.575 | 0.625 | 0.696 | | |
| | | $PB1$, $PB2$, $PB3 = (V_{EE}, V_{EE}, V_{EE})$ | 0.848 | 0.925 | 1.026 | | |
| Temperature Coefficient of Modulation Current | | Maximum tempco (TC open) | 12,000 | | ppm/°C | | |
| | | Nominal tempco (TC shorted to $TCNOM$) | 3600 | | | | |
| | | Minimum tempco (TC shorted to $TCMIN$) | 2500 | | | | |
| Prebias Resistor | $R_{PREBIAS}$ | | 66 | 78 | 90 | Ω | |
| $TX_DISABLE$ Resistance | | Resistance to V_{EE} (Note 3) | 50 | 65 | 100 | k Ω | |
| $TX_DISABLE$ High | V_{IH} | | 2.0 | | | V | |
| $TX_DISABLE$ Low | V_{IL} | | | | 0.8 | V | |
| Monitor Gain | | I_{MON} / I_{MODSET} , $V_{MON} < 1.1V$, $R_{MODSET} = 1k\Omega$, $TC = TCMIN$ | 0.92 | 1 | 1.08 | A/A | |

Note 1: $R_{MODSET} = 1k\Omega$. Excludes I_{OUT+} and I_{OUT-} , $TX_DISABLE$ high or low.

Note 2: TC connected to $TCMIN$, $PB1 = PB2 = V_{EE}$, $PB3 = open$.

Note 3: The $TX_DISABLE$ pin is internally pulled low. The driver is enabled when $TX_DISABLE$ is left open.

270Mbps SFP LED Driver

MAX3967A

AC ELECTRICAL CHARACTERISTICS

(Load as specified in Figure 1, unless otherwise noted. $V_{CC} = +2.97V$ to $+5.5V$ (at the V_{CC} pins), $R_{MODSET} = 1k\Omega$, $T_A = -40^\circ C$ to $+85^\circ C$. Input data shaped by 470MHz 4-pole filter, $PB1 = PB2 = V_{EE}$, $PB3 = \text{open}$. Typical values are at $V_{CC} = +3.3V$, TC connected to TCMIN, $T_A = +25^\circ C$.) (Note 4)

| PARAMETER | SYMBOL | CONDITIONS | MIN | TYP | MAX | UNITS |
|---|-------------------|--|-----|------|------|-------------------|
| Data Input Range | | Differential input | 500 | | 2400 | mV _{P-P} |
| Output-Current Edge Speed | | 20% to 80%, input is a 12.5MHz square wave | 300 | 615 | 1230 | ps |
| Output-Current Pulse-Width Correction (PWC) | | (Note 5) | | -90 | | ps |
| Output-Current Data-Dependent Jitter | DJ | 266Mbps (Note 6) | | 140 | | ps _{P-P} |
| | | 155Mbps (Note 7) | | 150 | 250 | |
| Random Jitter | RJ | | | 3 | | ps _{RMS} |
| TX_DISABLE Assert Time | t _{off} | Time from rising edge of TX_DISABLE to output at 10% of steady state | | 0.01 | 0.5 | μs |
| TX_DISABLE Negate Time | t _{on} | Time from rising edge of TX_DISABLE to output at 90% of steady state | | 0.01 | 0.5 | μs |
| Power-On Time | t _{init} | Time from $V_{CC} > 2.97V$ to output at 90% of steady state | | 0.1 | 2 | ms |

Note 4: AC characteristics are guaranteed by design and characterization.

Note 5: $PWC = (\text{width}_{CURRENT ON} - \text{width}_{CURRENT OFF}) / 2$.

Note 6: Test pattern is a K28.5 (0011 1110 1011 0000 0101) transmitted at 266Mbps.

Note 7: Test pattern is equivalent to a $2^{13} - 1$ PRBS containing 72 consecutive zeros or 72 consecutive ones.

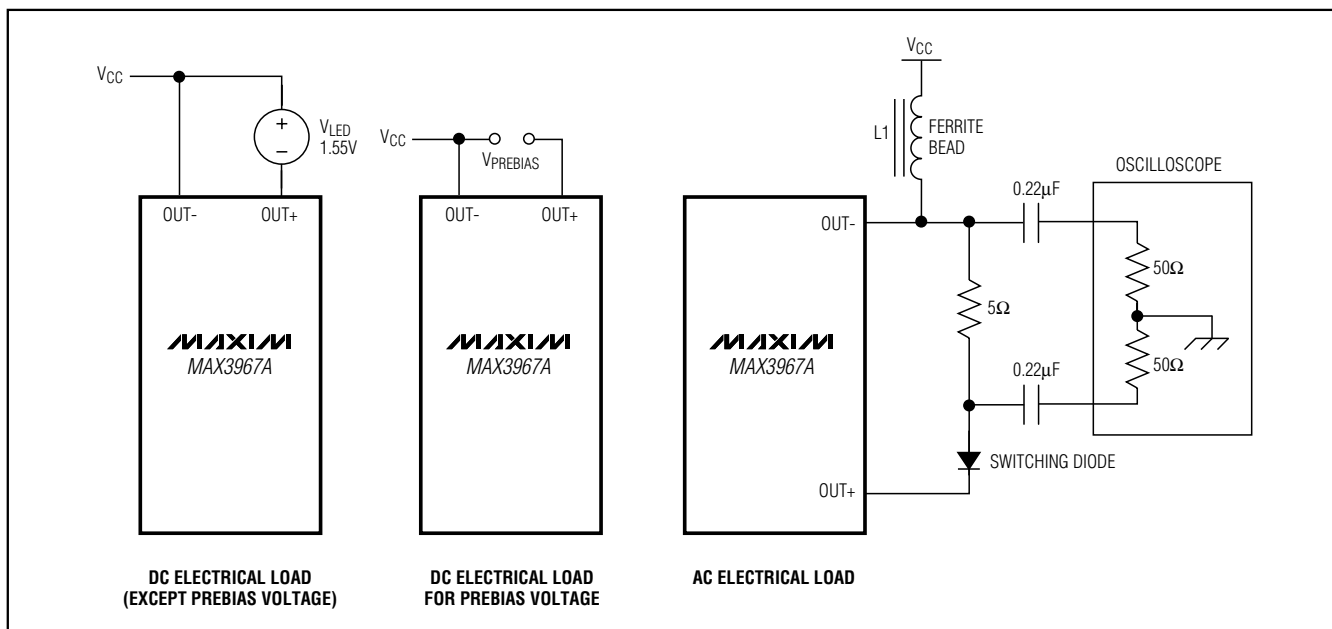


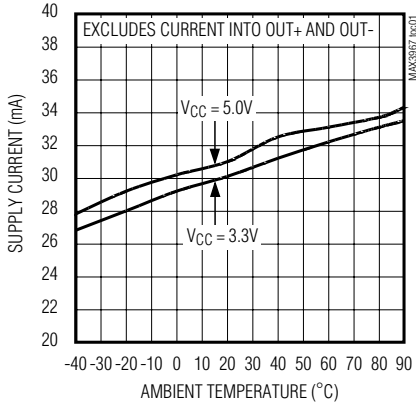
Figure 1. MAX3967A Output Test Loads

270Mbps SFP LED Driver

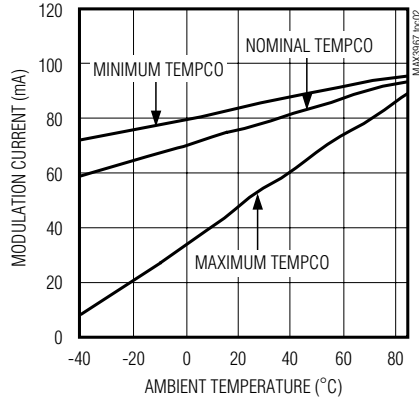
Typical Operating Characteristics

(MAX3967AETG in Maxim evaluation board, $V_{CC} = +3.3V$, PB1 = PB2 = V_{EE} , PB3 = open, TC connected to TCNOM, $R_{MODSET} = 1k\Omega$, $T_A = +25^\circ C$, unless otherwise noted.)

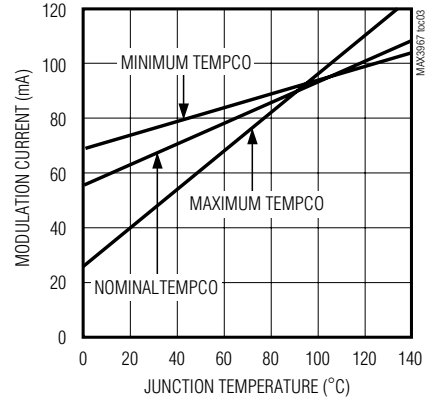
SUPPLY CURRENT vs. TEMPERATURE



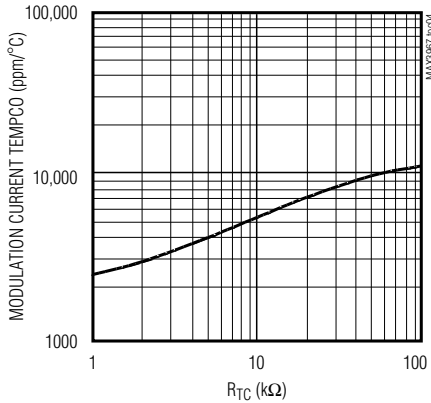
MODULATION CURRENT vs. TEMPERATURE



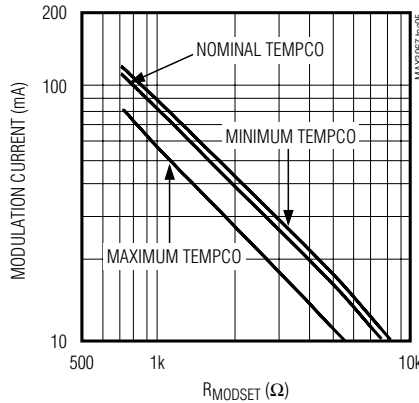
DIE MODULATION CURRENT vs. TEMPERATURE



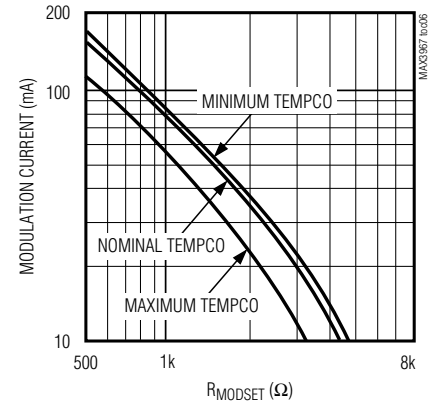
MODULATION CURRENT TEMPCO vs. R_{TC}



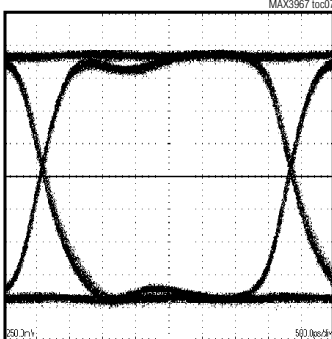
MODULATION CURRENT vs. R_{MODSET}



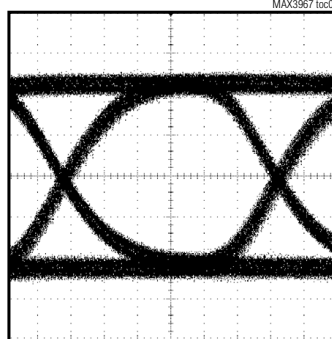
DIE MODULATION CURRENT vs. R_{MODSET}



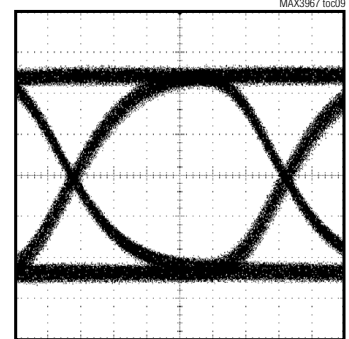
EYE DIAGRAM (ELECTRICAL) 266Mbps



EYE DIAGRAM (OPTICAL) 155Mbps



EYE DIAGRAM (OPTICAL) 155Mbps



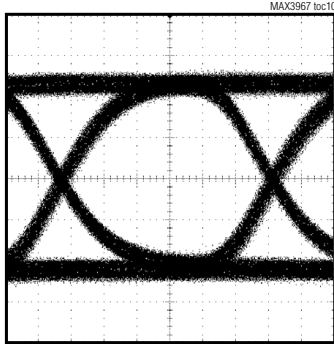
270Mbps SFP LED Driver

MAX3967A

Typical Operating Characteristics (continued)

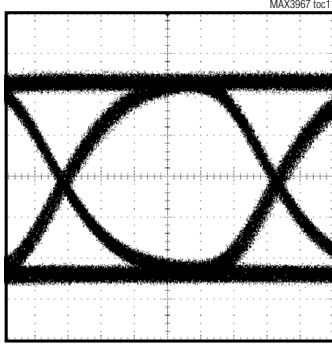
(MAX3967AETG in Maxim evaluation board, $V_{CC} = +3.3V$, PB1 = PB2 = V_{EE} , PB3 = open, TC connected to TCNOM, $R_{MODSET} = 1k\Omega$, $T_A = +25^\circ C$, unless otherwise noted.)

EYE DIAGRAM (OPTICAL)
155Mbps



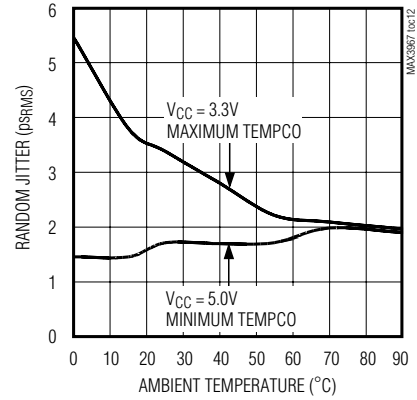
1ns/div
RECEIVER BW = 200MHz, $V_{CC} = 5.5V$, $T_A = +85^\circ C$,
 $P_{AVE} = -17.1dBm$, PATTERN = 2³¹ - 1 PRBS

EYE DIAGRAM (OPTICAL)
155Mbps

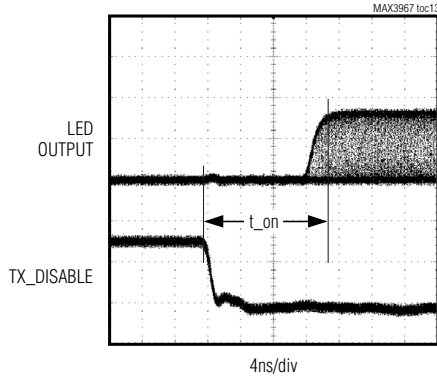


1ns/div
RECEIVER BW = 200MHz, $V_{CC} = 2.97V$, $T_A = -40^\circ C$,
 $P_{AVE} = -15.8dBm$, PATTERN = 2³¹ - 1 PRBS

RANDOM JITTER vs. TEMPERATURE

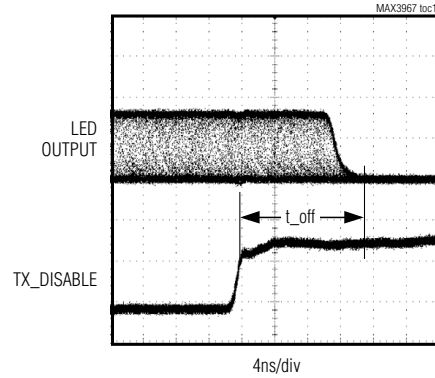


TX_DISABLE NEGATE TIME



4ns/div

TX_DISABLE ASSERT TIME



4ns/div

270Mbps SFP LED Driver

Pin Description

| PIN | NAME | FUNCTION |
|---------|---------------|--|
| 1 | TCNOM | Shorting TC to TCNOM provides a modulation tempco of approximately 3600ppm/°C. |
| 2 | TC | A resistor (R_{TC}) connected between the TC and TCMIN pins sets the tempco of the modulation current. Leaving R_{TC} unconnected provides the maximum tempco. |
| 3, 4, 5 | PB1, PB2, PB3 | Programs the Prebias Voltage at the OUT+ Pin (Table 1) |
| 6, 7 | VEEOUT | Ground for the Output-Current Drivers |
| 8, 9 | OUT+ | Current Output |
| 10, 11 | OUT- | Complementary Current Output |
| 12, 16 | N.C. | No Connection. Not internally connected. |
| 13, 14 | VCCOUT | Supply Connection for the Output-Current Drivers |
| 15, 19 | VCC | Provides Current to the Internal Amplifiers |
| 17 | MON | The Current Sourced from the MON Pin is Proportional to the Modulator Current |
| 18 | MODSET | A Resistor from MODSET to VEE Programs the LED Modulation Current |
| 20 | IN- | Inverting Data Input |
| 21 | IN+ | Noninverting Data Input |
| 22 | TX_DISABLE | Transmit Disable. When high, the current at the OUT+ pins is in the low state. The transmitter is enabled when TX_DISABLE is open. |
| 23 | VEE | Ground for internal amplifiers. |
| 24 | TCMIN | Shorting TC to TCMIN provides the minimum modulation-current tempco. |
| EP | Exposed Pad | Connect the exposed pad to board ground for optimal correct electrical and thermal performance. |

Detailed Description

The MAX3967A provides a flexible current drive for the modulation of fiber optic light-emitting diodes (LEDs). The circuit is designed to be used with +3.3V or +5V power supplies. The IC provides up to 100mA of modulation current. An adjustable prebias current source sets the LED prebias voltage. An integrated resistor provides passive peaking and optical pulse-width compensation.

Figure 2 shows a block diagram of the MAX3967A, which comprises a reference-voltage generator, modulation-current generator, input buffer with disable, prebias-current generator, main output driver, complementary output driver, and LED-compensation network.

Temperature Compensation

The reference-voltage generator circuit provides two voltage sources that create modulation-current temperature compensation. A positive modulation-current tem-

perature coefficient (tempco) is useful to compensate for the temperature characteristics of typical fiber optic LEDs. The first source has a temperature-stable output. The second source has a temperature-increasing output with a tempco of approximately 12,000ppm/°C (relative to +25°C). A resistor-divider between the two reference generators programs the modulation-current tempco. For maximum modulation-current tempco, leave the TC pin disconnected. For a tempco of approximately 3600ppm/°C, connect TC to TCNOM. To obtain the minimum tempco, connect TCMIN to TC. Intermediate tempco values can be programmed by connecting an external resistor (R_{TC}) between TCMIN and TC.

Input Buffer

The inputs are connected to the PECL-compatible differential input buffer. If left unconnected, IN+ is internally pulled to a PECL low and IN- is pulled to a PECL high, causing low current at OUT+. The input impedance of IN+ and IN- is approximately 50k Ω .

270Mbps SFP LED Driver

MAX3967A

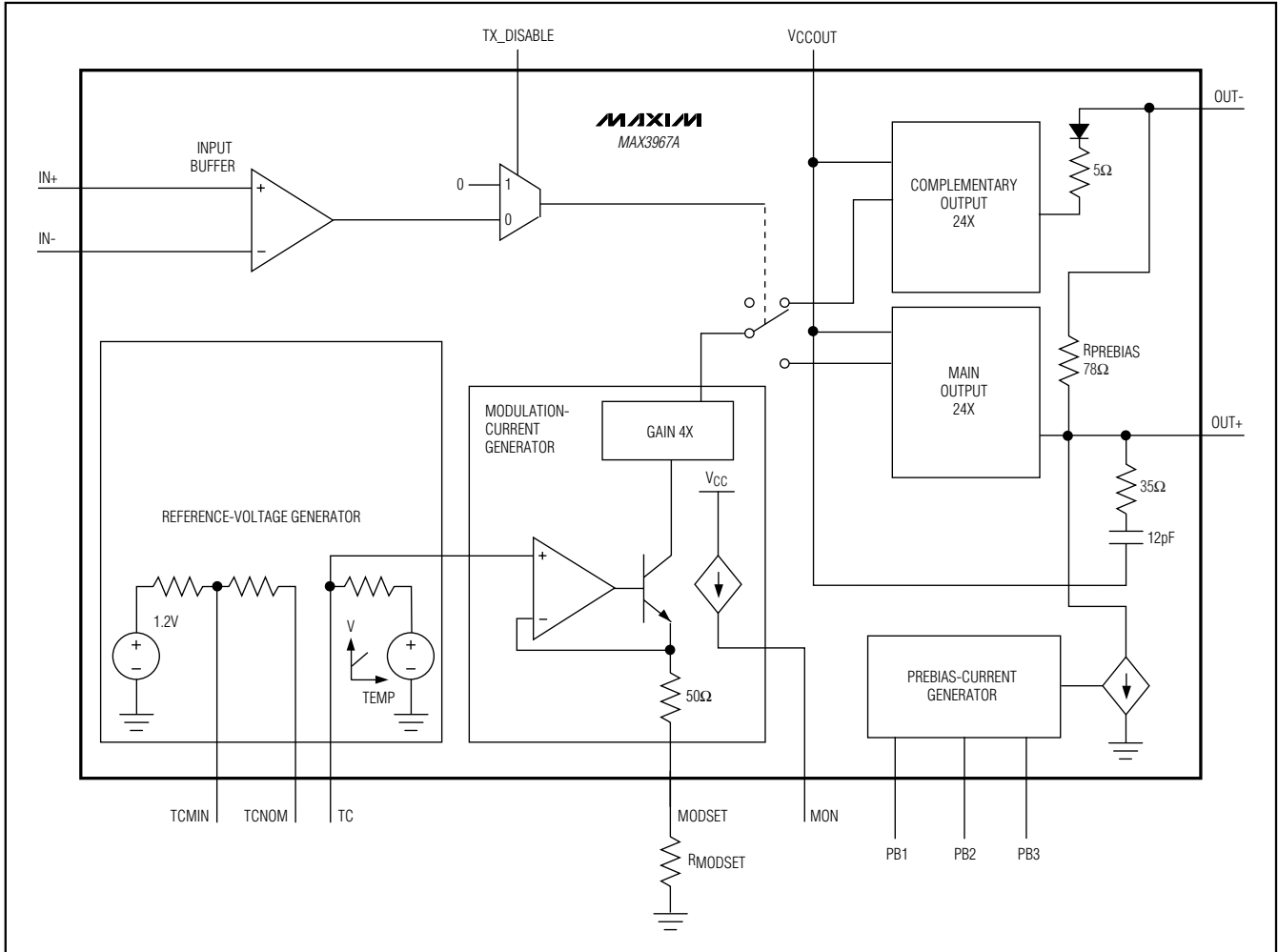


Figure 2. Functional Diagram

Modulation-Current Generator

The modulation-current generator circuit provides control of the modulation-current amplitude. This amplitude is determined by the voltage at the MODSET pin and external resistor R_{MODSET} .

Do not connect bypass capacitors at the MODSET pin. Capacitance at this pin increases high-frequency output noise. The MON pin provides an optional modulation-current monitor. The current sourced from the MON pin is 1/96 of the modulation current. If used, the pin should be connected to V_{EE} through a resistor. The resistance must be chosen so the voltage on MON does not exceed 1.1V. If not used, leave MON open.

Prebias Current Generator

A prebias voltage ($V_{PREBIAS}$) can be applied to the LED to improve switching speed. The prebias current generator creates a current that flows through the 78Ω prebias resistor in the output stage, creating a prebias voltage. The prebias voltage can be adjusted by selectively connecting pins PB1, PB2, and PB3 to V_{EE} . Table 1 describes the functions of PB1, PB2, and PB3.

Output Current Drivers

The modulation-current reference is switched and amplified by the output stages.

LED package lead inductance causes ringing and overshoot, which can be compensated with an RC filter network. The MAX3967A includes 35Ω and 12pF of

270Mbps SFP LED Driver

Table 1. LED Prebias Voltage

| PB1 | PB2 | PB3 | PREBIAS (V) |
|------|------|------|-------------|
| Open | Open | Open | 0.400 |
| VEE | Open | Open | 0.475 |
| Open | VEE | Open | 0.550 |
| VEE | VEE | Open | 0.625 |
| Open | Open | VEE | 0.700 |
| VEE | Open | VEE | 0.775 |
| Open | VEE | VEE | 0.850 |
| VEE | VEE | VEE | 0.925 |

internal compensation. The compensation network can be optimized by adding additional components between VCCOUT and OUT+.

The MAX3967A includes a complementary output driver, which is switched 180° out of phase with the main output. This configuration helps to maintain constant current flow from the voltage supply, reducing noise and EMI. A large diode and a 5Ω resistor are connected in series with the negative output (OUT-) to emulate the LED load at OUT+.

Peaking Current

The prebias resistor provides peaking current to improve the LED switching speed. The peaking magnitude is given by the following equation:

$$I_{PEAK} = \frac{V_{LED} - V_{PREBIAS}}{78\Omega}$$

The peaking amplitude is equal for rising and falling data transitions.

Design Procedure

Select an LED

For best performance, select a high-efficiency, low-inductance LED. LED inductance causes large voltage swings and ringing.

Program the Modulation-Current Tempco

Select a modulation-current tempco that provides nearly constant LED output power as temperature varies. For the minimum tempco, connect TCMIN to the TC pin. For a tempco of approximately 3600ppm/°C, connect TC to TCNOM and leave TCMIN unconnected. For the maximum tempco, leave TCMIN, TCNOM, and TC unconnected.

See the Modulation Current Tempco vs. R_{TC} graph in the *Typical Operating Characteristics* to program a custom tempco. From the graph, determine the appropriate resistor and connect it between TCMIN and TC.

For example, if an LED requires a 5000ppm/°C tempco, choose R_{TC} of 8.3kΩ.

Program the Modulation Current

Determine the required modulation current at T_A = +25°C. Then select the appropriate value of R_{MODSET} from the Modulation Current vs. R_{MODSET} graph in the *Typical Operating Characteristics*.

For example, to program 75mA modulation current, the graph indicates an R_{MODSET} value of 750Ω for maximum tempco (12,000ppm/°C) and 1kΩ for nominal tempco (3600ppm/°C). By interpolation, choose an R_{MODSET} of 792Ω for a tempco of 5000ppm/°C.

Program Prebias Voltage

Determine the LED prebias voltage that produces an acceptable trade-off between peaking current and extinction ratio. See Table 1 for PB1, PB2, and PB3 settings.

Layout Considerations

For optimum performance, total load inductance should not exceed 10nH. Load inductance includes LED inductance, LED package lead inductance, and circuit-board traces. Keep the connections between the MAX3967A OUT pins and the LED as short as possible to minimize inductance.

Chip-and-wire (hybrid) technology reduces package inductance significantly, and provides the best possible performance.

Use good high-frequency layout techniques and a multilayer board with an uninterrupted ground plane. Power supplies should be capacitively bypassed to the ground plane with surface-mount capacitors located near the power-supply pins.

270Mbps SFP LED Driver

MAX3967A

Input Terminations

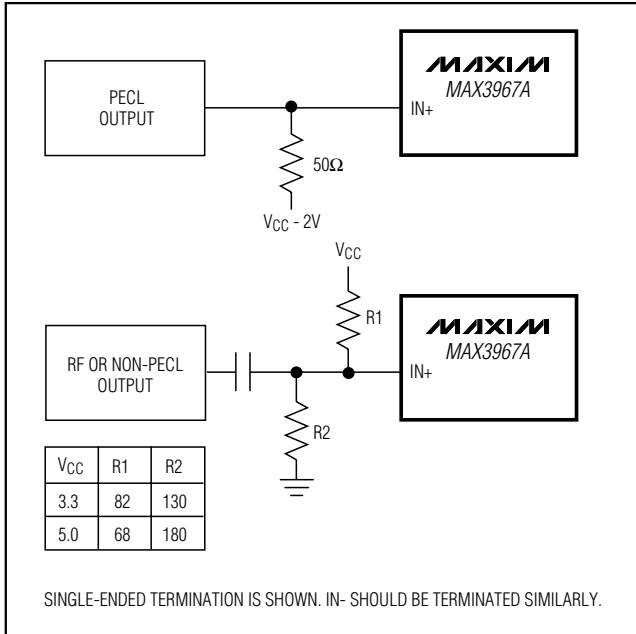


Figure 3. Input Terminations

Applications Information

Wire-Bonding Die

The MAX3967A utilizes gold metalization, which provides high reliability. Make connections to the die with gold wire only, using ball-bonding techniques. Use caution if attempting wedge-bonding. Pad size is 4 mils x 4 mils (100μm). Die thickness is typically 15 mils (375μm).

Exposed-Pad Package

The exposed pad on the 24-pin TQFN provides a very low thermal resistance path for heat removal from the IC.

Chip Information

TRANSISTOR COUNT: 331

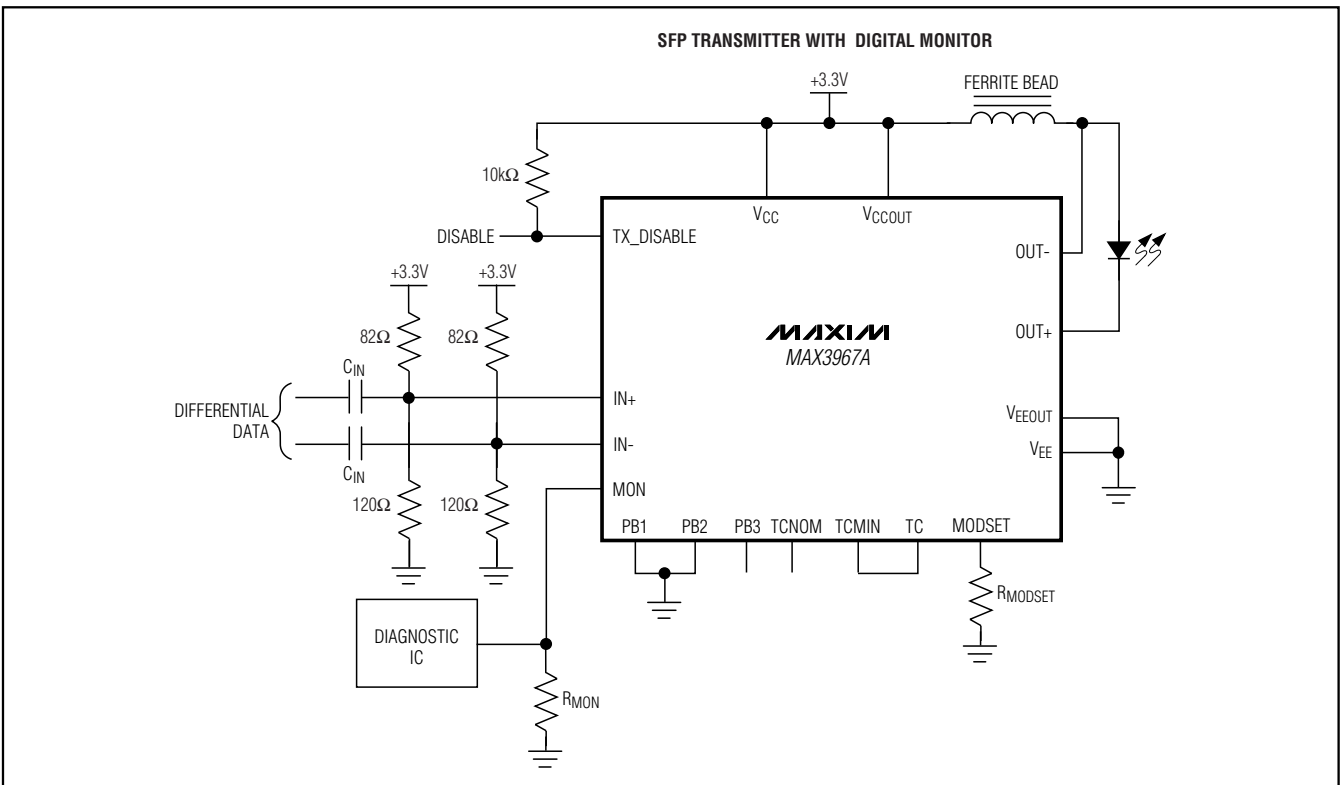
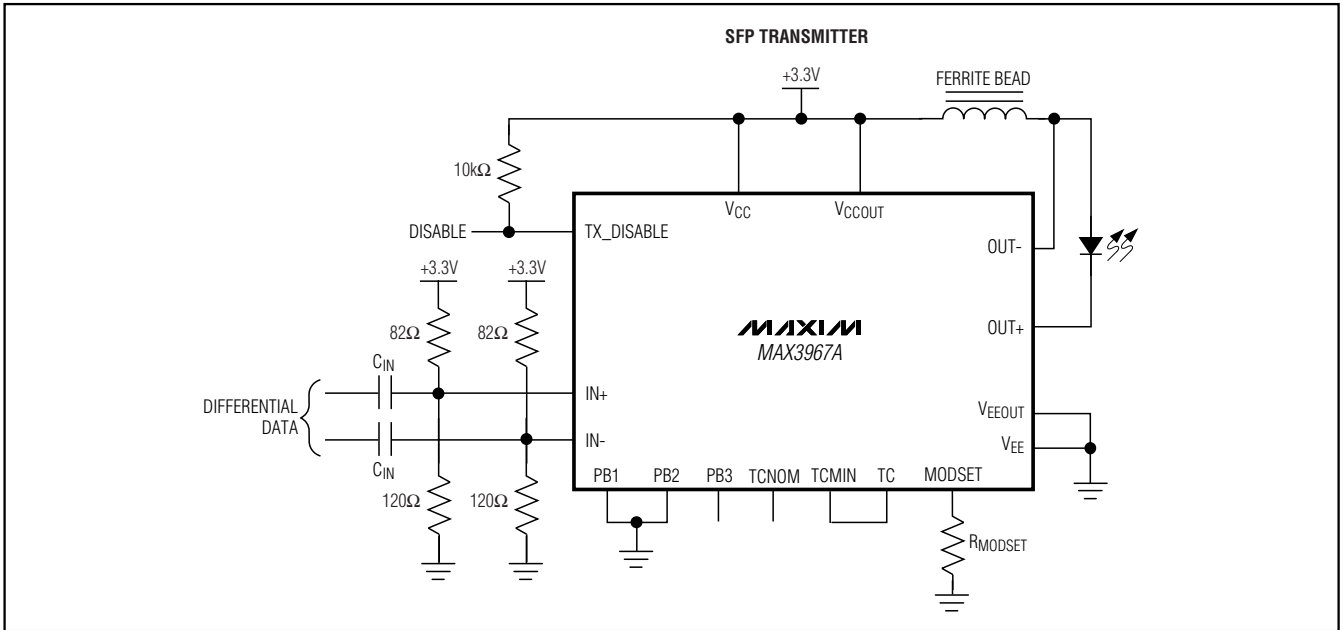
SUBSTRATE CONNECTED TO V_{EE}

PROCESS: BIPOLAR

DIE THICKNESS: 15 mils

270Mbps SFP LED Driver

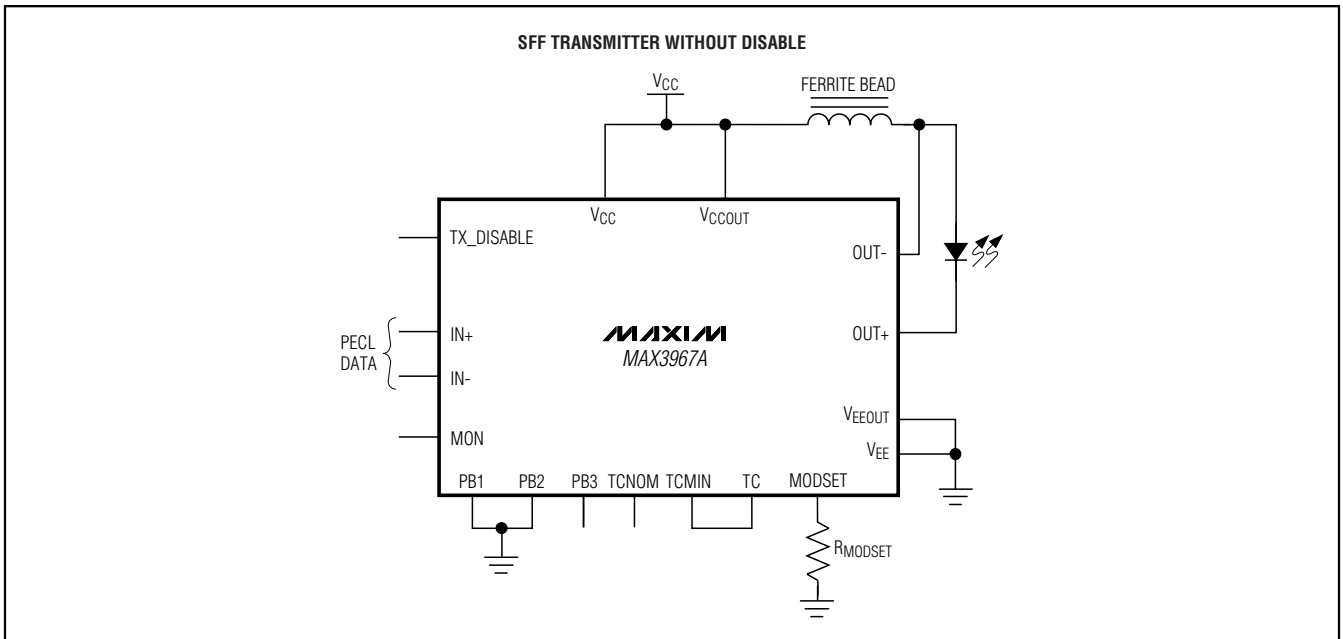
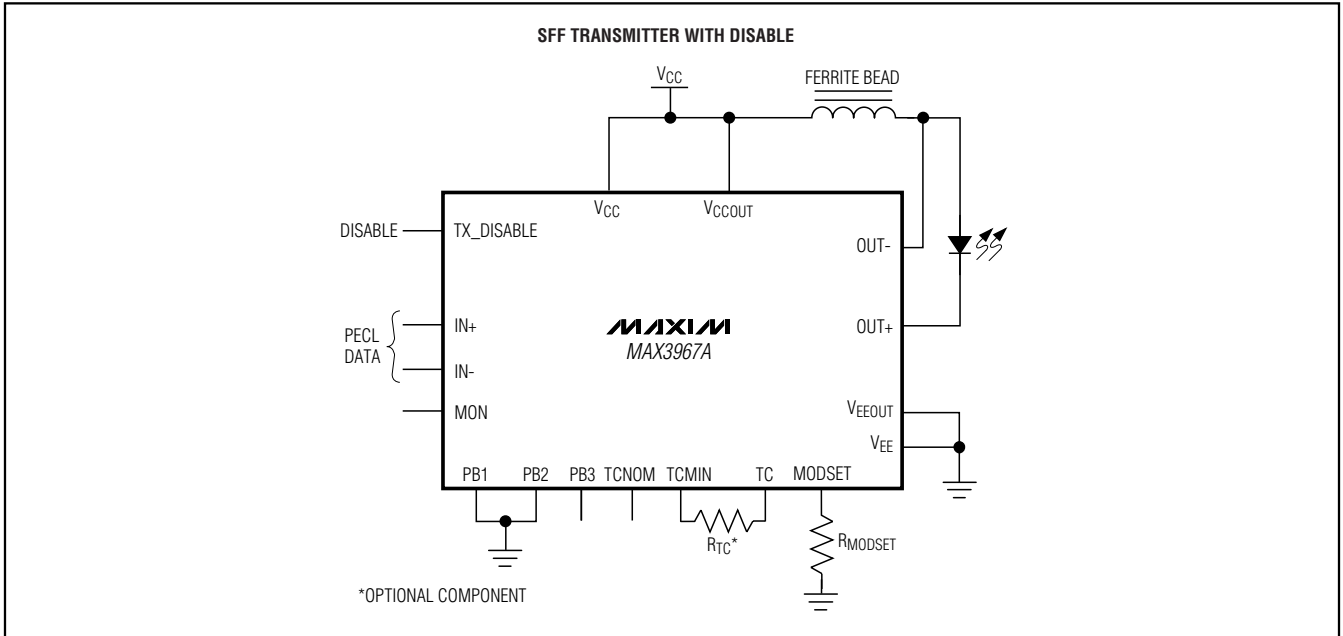
Typical Operating Circuits



270Mbps SFP LED Driver

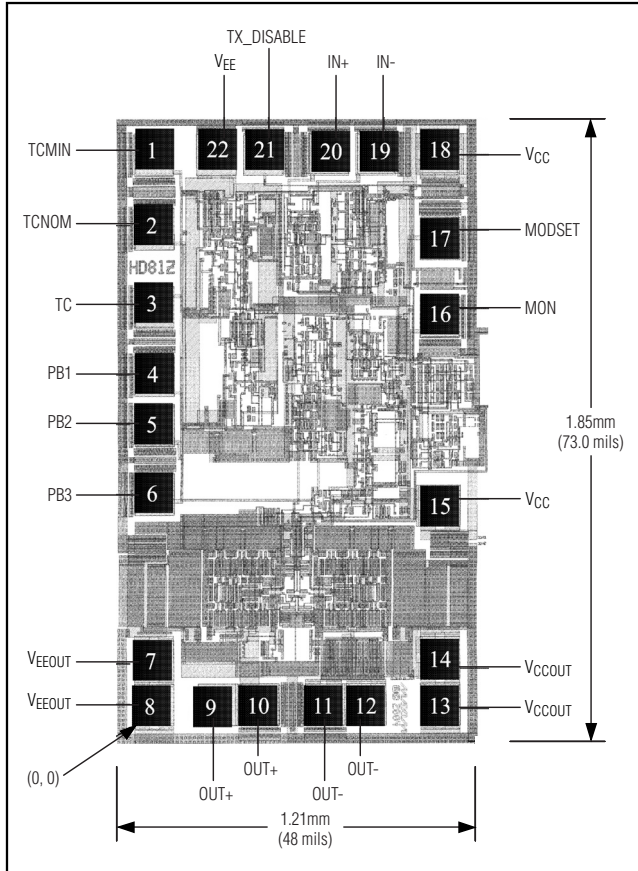
Typical Operating Circuits (continued)

MAX3967A



270Mbps SFP LED Driver

Chip Topography



Pad Coordinates

| PAD NUMBER | PAD NAME | COORDINATES (μm) | |
|------------|------------|-------------------------------|------|
| | | X | Y |
| BP1 | TCMIN | 0 | 1464 |
| BP2 | TCNOM | 0 | 1268 |
| BP3 | TC | 0 | 1060 |
| BP4 | PB1 | 0 | 876 |
| BP5 | PB2 | 0 | 744 |
| BP6 | PB3 | 0 | 560 |
| BP7 | VEEOUT | 0 | 116 |
| BP8 | VEEOUT | 0 | 0 |
| BP9 | OUT+ | 180 | 0 |
| BP10 | OUT+ | 296 | 0 |
| BP11 | OUT- | 480 | 0 |
| BP12 | OUT- | 596 | 0 |
| BP13 | VCCOUT | 804 | 0 |
| BP14 | VCCOUT | 804 | 124 |
| BP15 | VCC | 804 | 528 |
| BP16 | MON | 804 | 1032 |
| BP17 | MODSET | 804 | 1240 |
| BP18 | VCC | 804 | 1464 |
| BP19 | IN- | 624 | 1464 |
| BP20 | IN+ | 492 | 1464 |
| BP21 | TX_DISABLE | 308 | 1464 |
| BP22 | VEE | 176 | 1464 |

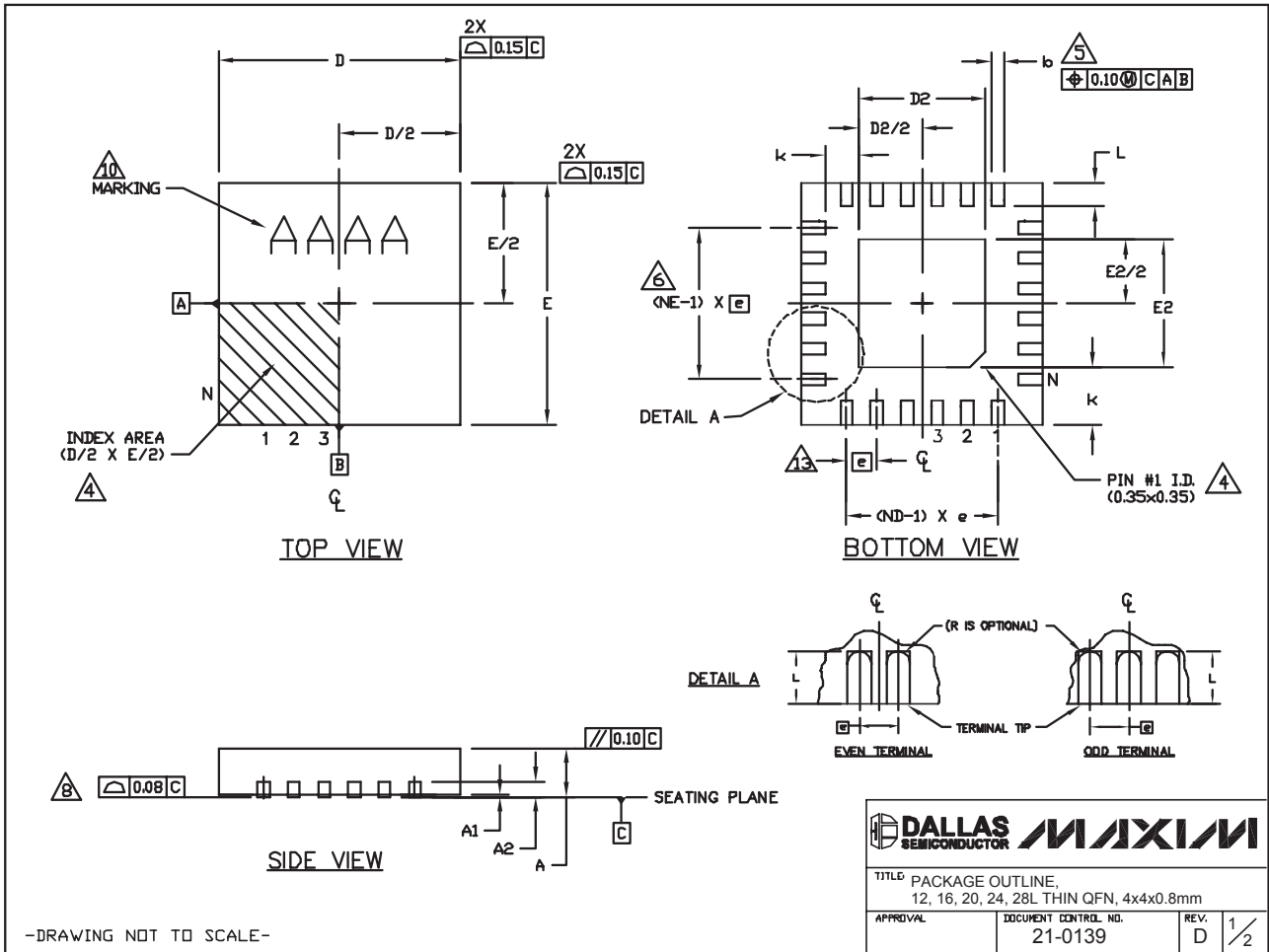
270Mbps SFP LED Driver

Package Information

(The package drawing(s) in this data sheet may not reflect the most current specifications. For the latest package outline information, go to www.maxim-ic.com/packages.)

MAX3967A

24L QFN THIN.EPS



| PART | PACKAGE TYPE | PACKAGE CODE |
|-------------|------------------------------------|--------------|
| MAX3967AETG | 24 thin QFN (4mm x 4mm x 0.8mm) | T2444-4 |

270Mbps SFP LED Driver

Package Information(continued)

(The package drawing(s) in this data sheet may not reflect the most current specifications. For the latest package outline information, go to www.maxim-ic.com/packages.)

| COMMON DIMENSIONS | | | | | | | | | | | | | | | EXPOSED PAD VARIATIONS | | | | | | | | |
|-------------------|-----------|------|------|-----------|------|------|-----------|------|------|-----------|------|------|-----------|------|------------------------|-----------|------|------|------|------|------|------|--------------------|
| PKG REF. | 12L 4x4 | | | 16L 4x4 | | | 20L 4x4 | | | 24L 4x4 | | | 28L 4x4 | | | PKG CODES | D2 | | | E2 | | | DOWN BONDS ALLOWED |
| | MIN. | NOM. | MAX. | MIN. | NOM. | MAX. | MIN. | NOM. | MAX. | MIN. | NOM. | MAX. | MIN. | NOM. | MAX. | | MIN. | NOM. | MAX. | MIN. | NOM. | MAX. | |
| A | 0.70 | 0.75 | 0.80 | 0.70 | 0.75 | 0.80 | 0.70 | 0.75 | 0.80 | 0.70 | 0.75 | 0.80 | 0.70 | 0.75 | 0.80 | T1244-2 | 1.95 | 2.10 | 2.25 | 1.95 | 2.10 | 2.25 | NO |
| A1 | 0.0 | 0.02 | 0.05 | 0.0 | 0.02 | 0.05 | 0.0 | 0.02 | 0.05 | 0.0 | 0.02 | 0.05 | 0.0 | 0.02 | 0.05 | T1244-3 | 1.95 | 2.10 | 2.25 | 1.95 | 2.10 | 2.25 | YES |
| A2 | 0.20 REF | | | 0.20 REF | | | 0.20 REF | | | 0.20 REF | | | 0.20 REF | | | T1244-4 | 1.95 | 2.10 | 2.25 | 1.95 | 2.10 | 2.25 | NO |
| b | 0.25 | 0.30 | 0.35 | 0.25 | 0.30 | 0.35 | 0.20 | 0.25 | 0.30 | 0.18 | 0.23 | 0.30 | 0.15 | 0.20 | 0.25 | T1644-2 | 1.95 | 2.10 | 2.25 | 1.95 | 2.10 | 2.25 | NO |
| D | 3.90 | 4.00 | 4.10 | 3.90 | 4.00 | 4.10 | 3.90 | 4.00 | 4.10 | 3.90 | 4.00 | 4.10 | 3.90 | 4.00 | 4.10 | T1644-3 | 1.95 | 2.10 | 2.25 | 1.95 | 2.10 | 2.25 | YES |
| E | 3.90 | 4.00 | 4.10 | 3.90 | 4.00 | 4.10 | 3.90 | 4.00 | 4.10 | 3.90 | 4.00 | 4.10 | 3.90 | 4.00 | 4.10 | T1644-4 | 1.95 | 2.10 | 2.25 | 1.95 | 2.10 | 2.25 | NO |
| e | 0.80 BSC. | | | 0.65 BSC. | | | 0.50 BSC. | | | 0.50 BSC. | | | 0.40 BSC. | | | T2044-1 | 1.95 | 2.10 | 2.25 | 1.95 | 2.10 | 2.25 | NO |
| k | 0.25 | - | - | 0.25 | - | - | 0.25 | - | - | 0.25 | - | - | 0.25 | - | - | T2044-2 | 1.95 | 2.10 | 2.25 | 1.95 | 2.10 | 2.25 | YES |
| L | 0.45 | 0.55 | 0.65 | 0.45 | 0.55 | 0.65 | 0.45 | 0.55 | 0.65 | 0.30 | 0.40 | 0.50 | 0.30 | 0.40 | 0.50 | T2044-3 | 1.95 | 2.10 | 2.25 | 1.95 | 2.10 | 2.25 | NO |
| N | 12 | | | 16 | | | 20 | | | 24 | | | 28 | | | T2444-1 | 2.45 | 2.60 | 2.63 | 2.45 | 2.60 | 2.63 | NO |
| ND | 3 | | | 4 | | | 5 | | | 6 | | | 7 | | | T2444-2 | 1.95 | 2.10 | 2.25 | 1.95 | 2.10 | 2.25 | YES |
| NE | 3 | | | 4 | | | 5 | | | 6 | | | 7 | | | T2444-3 | 2.45 | 2.60 | 2.63 | 2.45 | 2.60 | 2.63 | YES |
| JeDEC Ver. | VGGB | | | WGGC | | | WGGD-1 | | | WGGD-2 | | | WGGE | | | T2444-4 | 2.45 | 2.60 | 2.63 | 2.45 | 2.60 | 2.63 | NO |
| | | | | | | | | | | | | | | | | T2844-1 | 2.50 | 2.60 | 2.70 | 2.50 | 2.60 | 2.70 | NO |

NOTES:

- DIMENSIONING & TOLERANCING CONFORM TO ASME Y14.5M-1994.
- ALL DIMENSIONS ARE IN MILLIMETERS. ANGLES ARE IN DEGREES.
- N IS THE TOTAL NUMBER OF TERMINALS.
- THE TERMINAL #1 IDENTIFIER AND TERMINAL NUMBERING CONVENTION SHALL CONFORM TO JEDEC 95-1 SFP-012. DETAILS OF TERMINAL #1 IDENTIFIER ARE OPTIONAL, BUT MUST BE LOCATED WITHIN THE ZONE INDICATED. THE TERMINAL #1 IDENTIFIER MAY BE EITHER A MOLD OR MARKED FEATURE.
- DIMENSION b APPLIES TO METALLIZED TERMINAL AND IS MEASURED BETWEEN 0.25 mm AND 0.30 mm FROM TERMINAL TIP.
- ND AND NE REFER TO THE NUMBER OF TERMINALS ON EACH D AND E SIDE RESPECTIVELY.
- DEPOPULATION IS POSSIBLE IN A SYMMETRICAL FASHION.
- COPLANARITY APPLIES TO THE EXPOSED HEAT SINK SLUG AS WELL AS THE TERMINALS.
- DRAWING CONFORMS TO JEDEC MO220, EXCEPT FOR T2444-1, T2444-3, T2444-4 AND T2844-1.
- MARKING IS FOR PACKAGE ORIENTATION REFERENCE ONLY.
- COPLANARITY SHALL NOT EXCEED 0.08mm
- WARPAGE SHALL NOT EXCEED 0.10mm
- LEAD CENTERLINES TO BE AT TRUE POSITION AS DEFINED BY BASIC DIMENSION "e", ±0.05.

-DRAWING NOT TO SCALE-

| | |
|---|---------------------------------|
| | |
| TITLE PACKAGE OUTLINE, 12, 16, 20, 24, 28L THIN QFN, 4x4x0.8mm | |
| APPROVAL | DOCUMENT CONTROL NO. 21-0139 |
| | REV. D 2/2 |

Maxim cannot assume responsibility for use of any circuitry other than circuitry entirely embodied in a Maxim product. No circuit patent licenses are implied. Maxim reserves the right to change the circuitry and specifications without notice at any time.

14 **Maxim Integrated Products, 120 San Gabriel Drive, Sunnyvale, CA 94086 408-737-7600**