

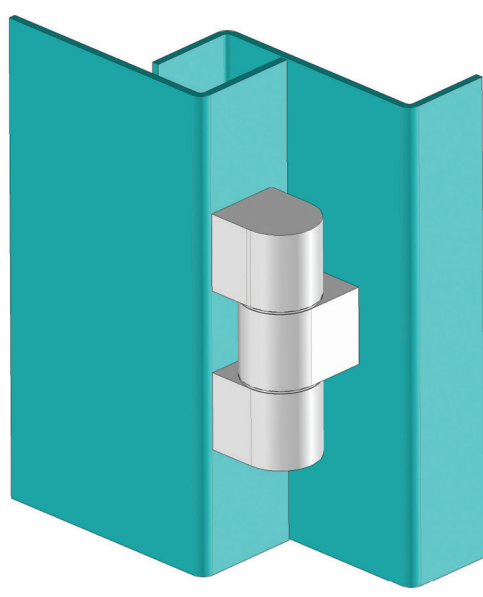
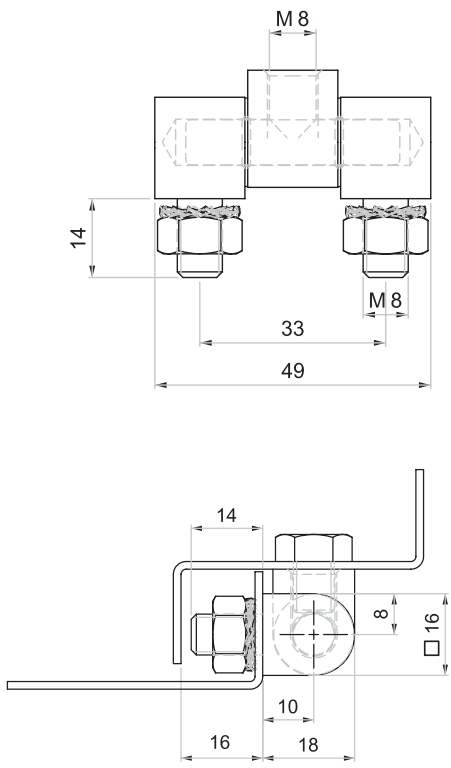
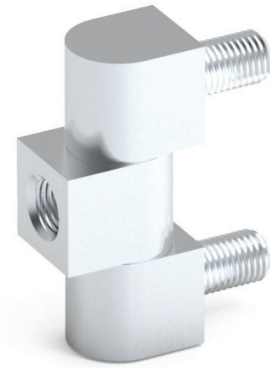


893

SIDE HINGE



LH/RH



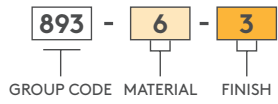
- For medium voltage and heavy door panels
- Assembled using special screws (supplied)
- Parts supplied separately

**APPLICATIONS**  
Electric panels, machinery covers

**MATERIAL**  
C45 Steel

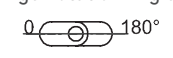
**FINISH**  
Zinc plated

PRODUCT CODE



MATERIAL	M	FINISH	F
Steel	6	Zinc plated	3

Hinge Rotation Angle



**⚠ Note:** Nuts and washers are not supplied.