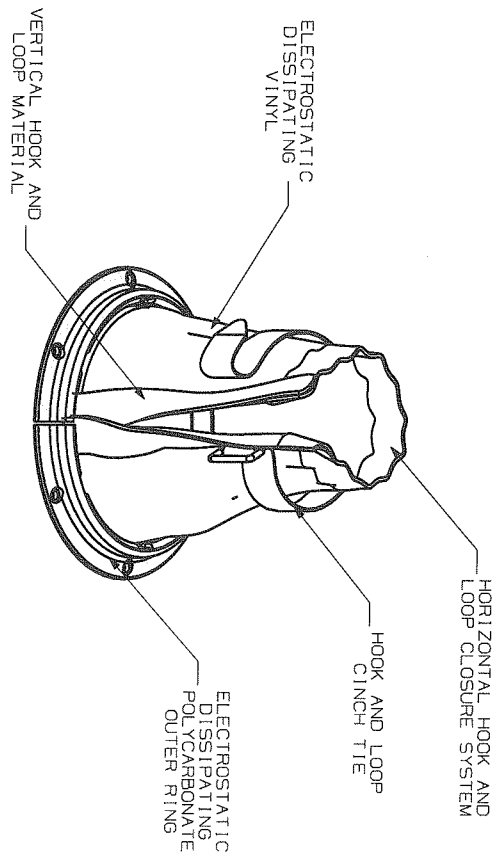
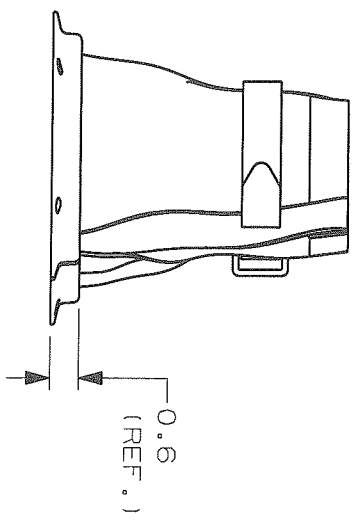
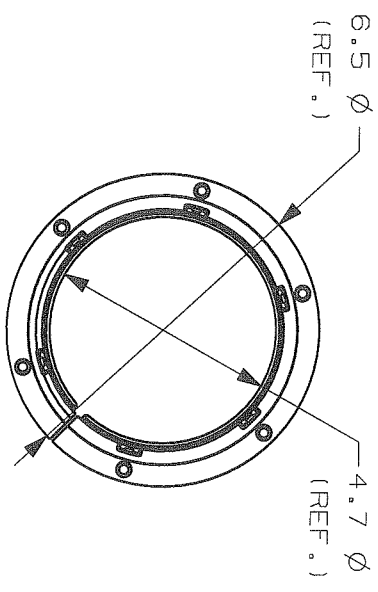


THIS COPY IS PROVIDED ON A RESTRICTED BASIS AND IS NOT TO BE USED IN ANY WAY DETRIMENTAL TO THE INTERESTS OF PANDUIT CORP.



NOTE:
 1) PRODUCT INCLUDES PHILLIPS PANHEAD SELF-DRILL SCREWS, #6 x 5/8", (QTY 6).

REV	DATE	BY	CHK	DESCRIPTION	ECN	R	CUST	SUP
00B	08/15/08	ARHA	ARHA	ADDED "Y" PART NUMBER: CHANGED REV. STYLE.	GB3405VL	00B	KLW	
R	01/18/08	ARHA		INITIAL RELEASE	GB3405VL	R		

DIMENSIONS IN BRACKETS ARE METRIC [mm]	
CAD FILENAME/LAYERS G03405VL_DC_GB3405VL/00B	
PANDUIT CORP. TINLEY PARK, ILLINOIS	
RF65DSM(Y)	
RAISED FLOOR GROMMET (SURFACE MOUNT)	
UNLESS OTHERWISE SPECIFIED, DIMENSIONAL TOLERANCES ARE: (.X) ±0.1 (2.5) (.XXX) ±0.010 (0.25) (.XX) ±0.02 (0.5) ANGLES ±5°	UNLESS OTHERWISE SPECIFIED, ALL DIMENSIONS ARE GIVEN IN INCHES, THIRD ANGLE PROJECTION.
SCALE 1:4	DWG GB3405VL A SIZE
DATE 01/18/08 CHK'D KLW	DRAWN BY ARHA MATERIAL: N/A