

SMT POWER INDUCTORS

Shielded Drum Core - PL93XX Series



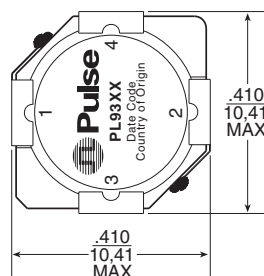
- Height:** 0.157 inches (4.0mm) Max
- Footprint:** 0.410 inches x 0.410 inches (10.5mm x 10.5mm) Max
- Inductance Range:** 0.62μH to 278μH
- Current Rating:** up to 7.6A

Electrical Specifications @ 25°C — Operating Temperature -55°C to +130°C

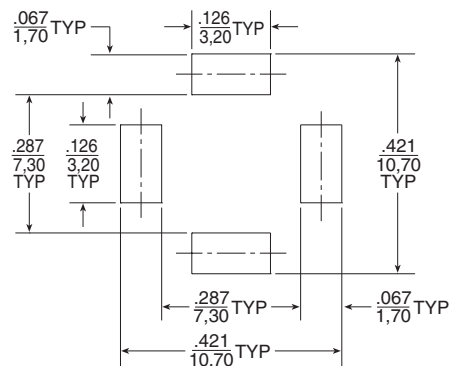
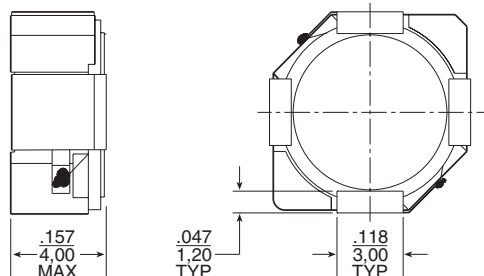
Part Numbers	Inductance @ Irated (μH TYP)	Irated ² (A)	DCR (mΩ)		Inductance @ 0A _{DC} (μH)	Saturation Current ³ (A) @25°C	Heating Current ⁴ (A)
			TYP	MAX			
PL9301	0.62	7.60	4.2	5.5	0.68±25%	10.00	7.60
PL9302	1.2	7.10	5.6	7.3	1.3±25%	8.00	7.10
PL9303	1.9	5.80	8.4	10.9	2.2±25%	6.15	5.80
PL9304	2.8	5.20	10.2	13.3	3.3±25%	5.80	5.20
PL9305	4.0	4.70	15.1	19.6	4.7±25%	5.40	4.70
PL9306	5.4	3.70	20.8	27.0	6.0±25%	4.50	3.70
PL9307	6.9	3.50	23.7	30.8	7.6±25%	4.00	3.50
PL9308	8.0	3.40	26.5	33.2	10±20%	3.80	3.40
PL9309	11	3.00	36.1	45.2	12±20%	3.40	3.00
PL9310	12	2.80	39.5	49.4	15±20%	3.10	2.80
PL9311	19	2.30	62	77	22±20%	2.80	2.30
PL9312	25	2.10	71	89	27±20%	2.30	2.10
PL9313	38	1.65	113	142	47±20%	2.10	1.65
PL9314	55	1.32	170	212	68±20%	1.50	1.32
PL9315	83	1.10	262	328	100±20%	1.35	1.10
PL9316	123	0.88	400	500	150±20%	1.15	0.88
PL9317	178	0.73	591	739	220±20%	0.92	0.73
PL9318	278	0.60	906	1133	330±20%	0.70	0.60

*Inductance at 0A_{DC} tolerance on indicated part numbers is ±30%; tolerance is ±20% on all other parts. Optional Tape & Reel packaging can be ordered by adding a "T" suffix to the part number (i.e. PL9301 becomes PL9301T). **NOTES FROM TABLE:** (See back page)

Mechanical

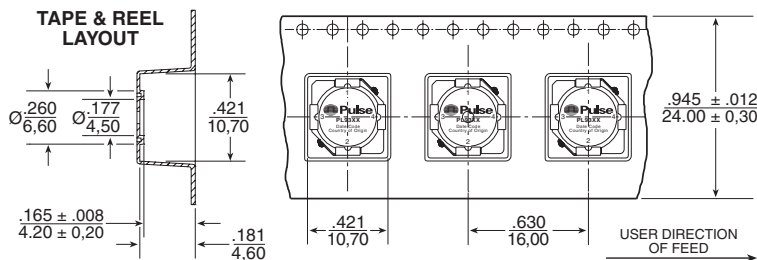
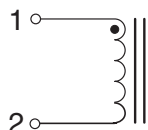


NOTE: Pin 3 and Pin 4 are for mechanical connection only.



SUGGESTED PAD LAYOUT

Schematic



Weight 2.5 grams
 Tape & Reel 400/reel
 Dimensions: Inches
 mm
 Unless otherwise specified,
 all tolerances are ± .010
 0,25

SMT POWER INDUCTORS

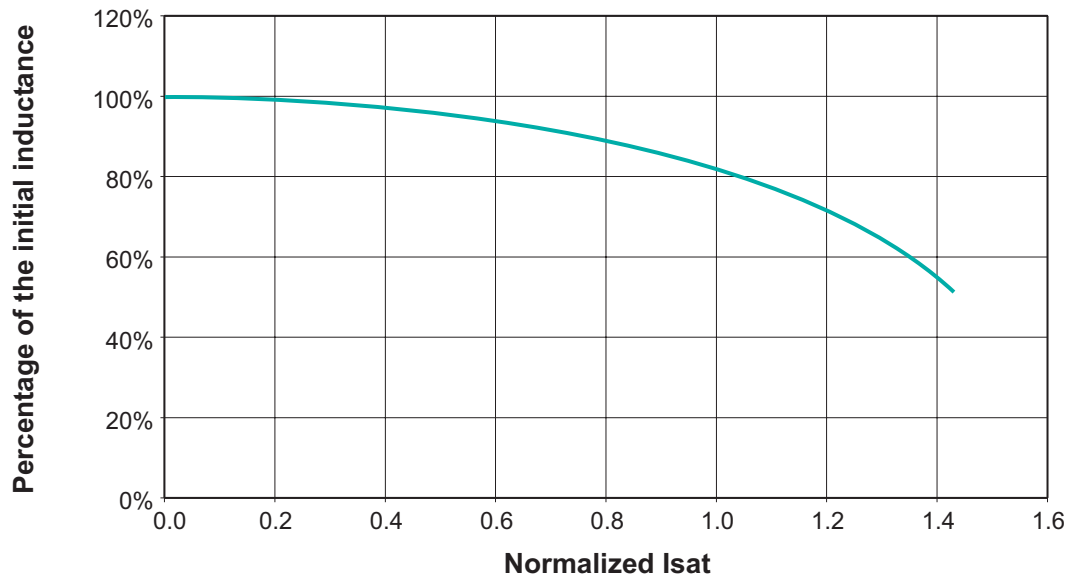
Shielded Drum Core - PL93XX Series



Notes from Tables

1. Temperature of the component (ambient plus temperature rise) must be within specified operating temperature range.
2. The rated current as listed is either the saturation current or the heating current depending on which value is lower.
3. The saturation current is the current which causes the inductance to drop to 75% of its initial inductance at zero bias. This current is determined by placing the component at room ambient (25°C), and applying a short duration pulse current (to eliminate self-heating effects) to the component.
4. The heating current is the DC current, which causes the temperature of the part to increase by approximately 40°C. This current is determined by extending the terminals of the component with 30mm length 28 gauge buss wires and applying the current to the device for 30 minutes. The temperature is measured by placing the thermocouple between the winding and the shield.
5. In high volt*time applications, additional heating in the component can occur due to core losses in the inductor which may necessitate derating the current in order to limit the temperature rise of the component. In order to determine the approximate total loss (or temperature rise) for a given application, both copper losses and core losses should be taken into account.

Inductance vs Current Characteristics



For More Information:

Pulse Worldwide Headquarters
 2 Pearl Buck Court
 Bristol, PA 19007
 U.S.A.
www.pulseeng.com

Pulse Europe
 Einsteinstrasse 1
 D-71083 Herrenberg
 Germany

Pulse China Headquarters
 B402, Shenzhen
 Tech-Innovation International
 Tenth Kejian Rd.
 High-Tech Industrial Park
 Nanshan District, Shenzhen
 China
 Tel: 86 755 33966678
 Fax: 86 755 33966700

Pulse North China
 Room 1503
 XinYin Building
 No. 888 YiShan Rd.
 Shanghai 200233
 China
 Tel: 86 21 54643211/2
 Fax: 86 21 54643210

Pulse South Asia
 150 Kampong Ampat
 #07-01/02
 KA Centre
 Singapore 368324

Pulse North Asia
 No. 26
 Kao Ching Rd.
 Yang Mei Chen
 Taoyuan Hsien
 Taiwan, R. O. C.

Tel: 215 781 6400
 Fax: 215 781 6403

Tel: 49 7032 7806 0
 Fax: 49 7032 7806 12

Tel: 65 6287 8998
 Fax: 65 6280 0080

Tel: 886 3 4641811
 Fax: 886 3 4641911

Performance warranty of products offered on this data sheet is limited to the parameters specified. Data is subject to change without notice. Other brand and product names mentioned herein may be trademarks or registered trademarks of their respective owners. © Copyright, 2007. Pulse Engineering, Inc. All rights reserved.