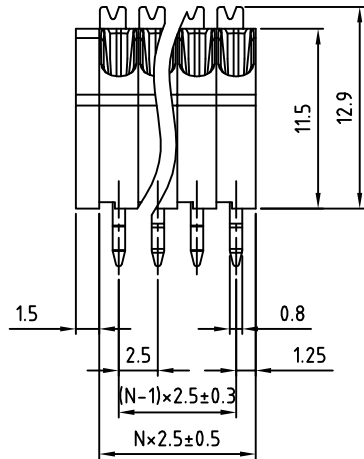
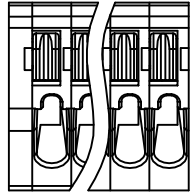
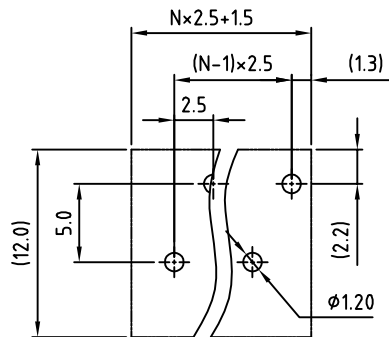
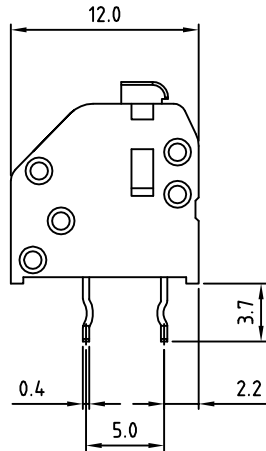


SIGN	DATE	DESCRIPTION	APPROVER
THIS IS CAD DRAWING, DO NOT REVISE MANUALLY!!!			



N=Number of Contacts



P.C.B Layout

Poles	Tolerance
2P-5P	±0.30
6P-9P	±0.40
10P-13P	±0.50
14P-17P	±0.60
18P-21P	±0.70
22P-24P	±0.80

**Material**

- Terminal body(Contact pin) : PhBz
- Surface of solder tail : Tin plated
- Insulator (housing): Thermoplastic (UL94V-0)

**Electrical**

- Voltage rating: 150V
- Current rating: 2A
- Wire range:
  - Solid wire(AWG): 20-26
  - Stranded wire(AWG): 20-26
- Wire strip length: 6-7mm
- Withstanding Voltage: 1.3KV
- Operating temperature: -30°C to +105°C
- Soldering temperature: 250°C±10°C/5 Sec
- Safety approval:



RoHS Compliant

**PART NUMBER**

**OSTHCXXB080**

- No. of Poles
- 02 2 Poles
  - 03 3 Poles
  - ::
  - 24 24 Poles

**COLOR**

- 2: Red
- 3: Orange
- 5: Green
- 8: Grey (Standard)



THESE DRAWINGS AND SPECIFICATIONS ARE THE PROPERTY OF ON-SHORE TECHNOLOGY, INC. AND SHALL NOT BE REPRODUCED, COPIED OR USED IN ANY MANNER WITHOUT THE PRIOR WRITTEN CONSENT OF ON-SHORE TECHNOLOGY, INC.

TITLE		OSTHC 2.5mm Series			
PART NO.	OSTHCXXB080	DWG NO.	OSTHCXXB080.DWG		
APPROVED	CHECKED	DESIGNED	DRAWN	CUST NO.	Tolerance
Shi Jun 2006.11.16	Marvin 2006.11.16	Steady 2006.10.10	Steady 2006.10.10		X. ±0.50 X.X ±0.30 X.XX ±0.10 X° ±1°
				UNIT: mm	
				SCALE: NONE	
				REV: D	
				SHEET: 01/01	